

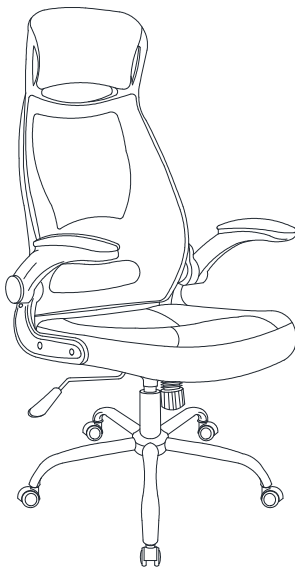
EEI-3039 Office Chair



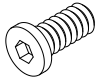
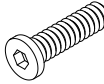
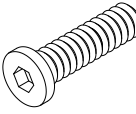
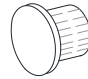

Thank you for purchasing the MODWAY OFFICE CHAIR.

Before you start, here is some helpful advice:

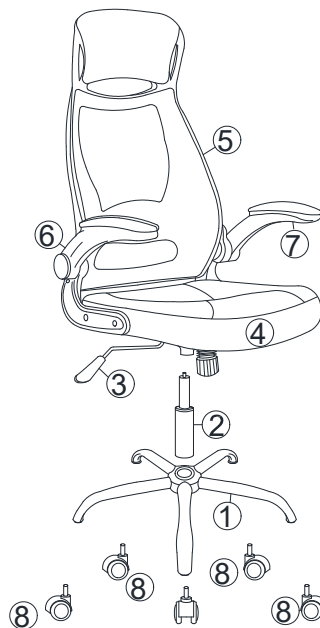
1. We suggest you spend a short time reading through this leaflet and then follow the simple step-by-step instructions.
2. Owing to the size and weight of the chair, we recommend that it is assembled by two adults, on a carpeted or padded area, in the room that it is intended for. Approximate assembly time: 30 minutes.
3. Please do not use any tools other than those provided or recommended in these instructions.
4. Please do not throw away any of the packaging or the instruction until you have checked all the components and hardware and the furniture is fully assembled. Please ensure that the packaging is disposed of in a safe and environmentally friendly way.
5. Assemble all components loosely until advised to tighten. Depending on use, it may be necessary to tighten the components from time to time, so please save the tools that have been provided.
6. Please keep all fitting out of reach of children.



Hardware:

- | | | | |
|----|--|-----------------|-----|
| A. |  | Bolt M6x18mm | x 4 |
| B. |  | Bolt M6x30mm | x 4 |
| C. |  | Bolt M8x25mm | x 4 |
| D. |  | Cover | x 8 |
| E. |  | Allen Wrench M6 | x 1 |

Component:



- | | | | |
|-----------------|----------------------|------------------------|-------------|
| 1 Base x1 | 2 Cylinder Column x1 | 3 Control Mechanism x1 | 4 Seat x1 |
| 5 Back Frame x1 | 6 Left Arm x1 | 7 Right Arm x1 | 8 Castor x5 |

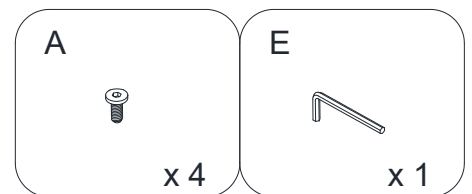
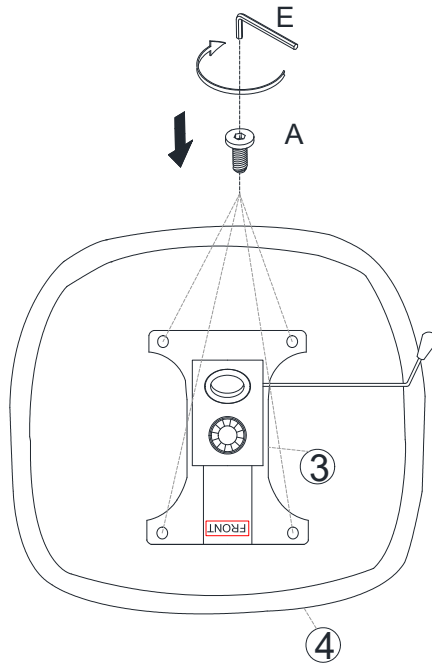
EEI-3039 Office Chair

STEP 1:

Please put **Seat (4)** on a carpeted or padded surface.

Attach **Control Mechanism (3)** to the bottom of **Seat (4)** by using 4 pieces of **Bolts (A)** as shown.

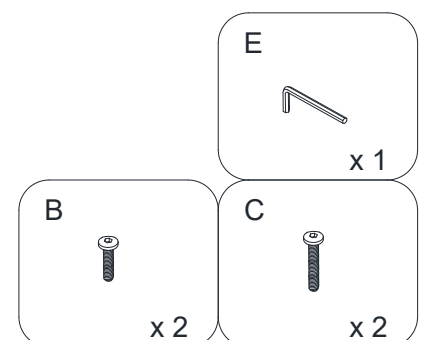
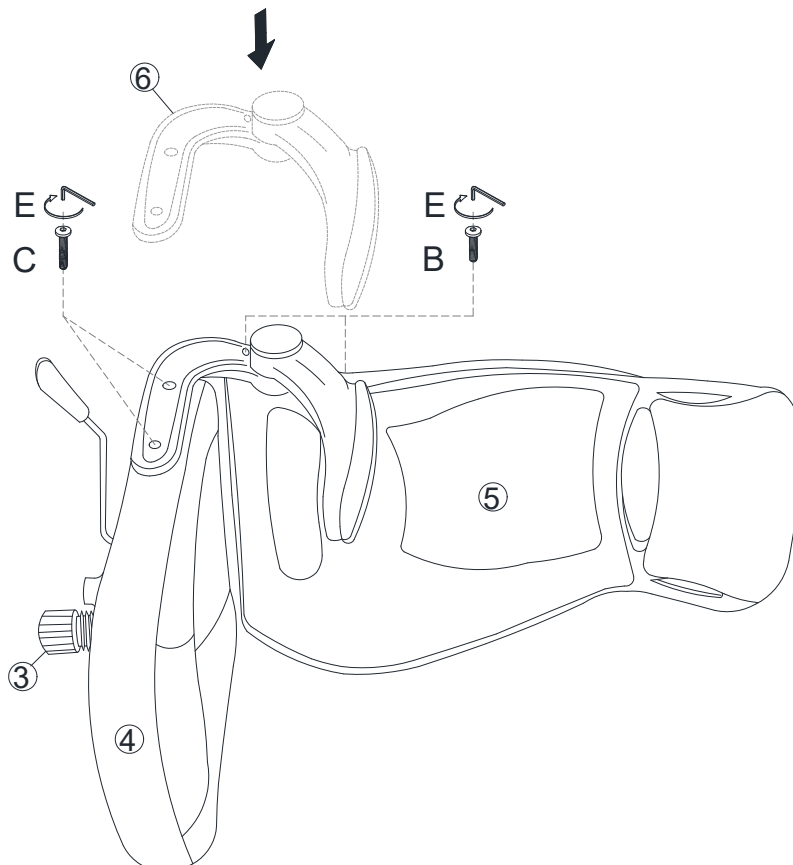
Tighten **Bolts (A)** by using **Allen Wrench (E)** as shown.



Hardware & Tools required

STEP 2:

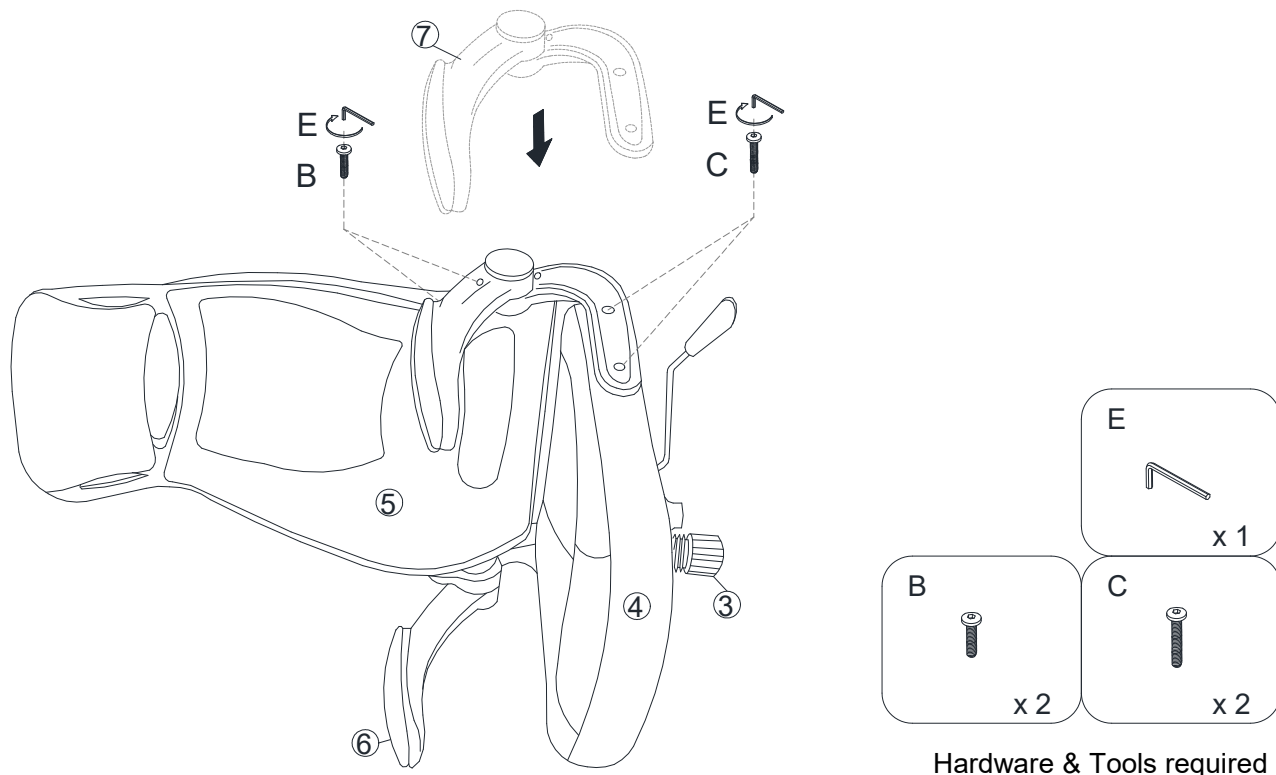
Attach **Left Arm (6)** to the **Seat (4)** and **Back Frame (5)** by using 2 pieces of **Bolts (B)** and 2 pieces of **Bolts (C)** as shown. Tighten **Bolts (B) & (C)** by using **Allen Wrench (E)** as shown.



Hardware & Tools required

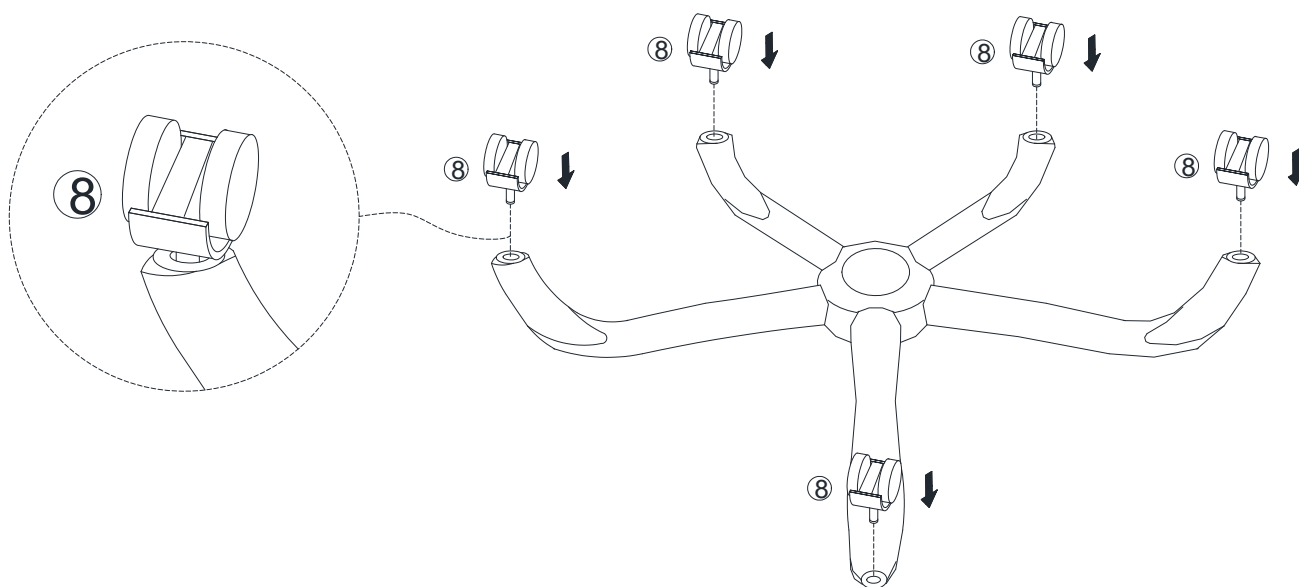
STEP 3:

Attach **Right Arm (7)** to the **Seat (4)** and **Back Frame (5)** by using 2 pieces of **Bolts (B)** and 2 pieces of **Bolts (C)** as shown. Tighten **Bolts (B) & (C)** by using **Allen Wrench (E)** as shown.



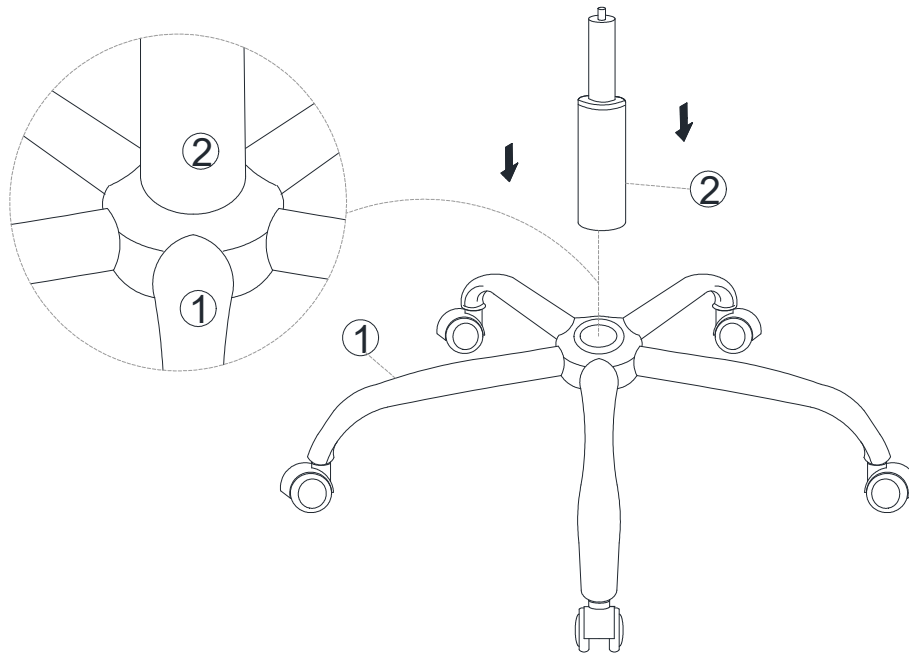
STEP 4:

Insert 1 piece of **Castor (8)** into the **Base (1)** as shown by hand.
Repeat the same steps for the remaining 4 pieces of **Castors (8)**.



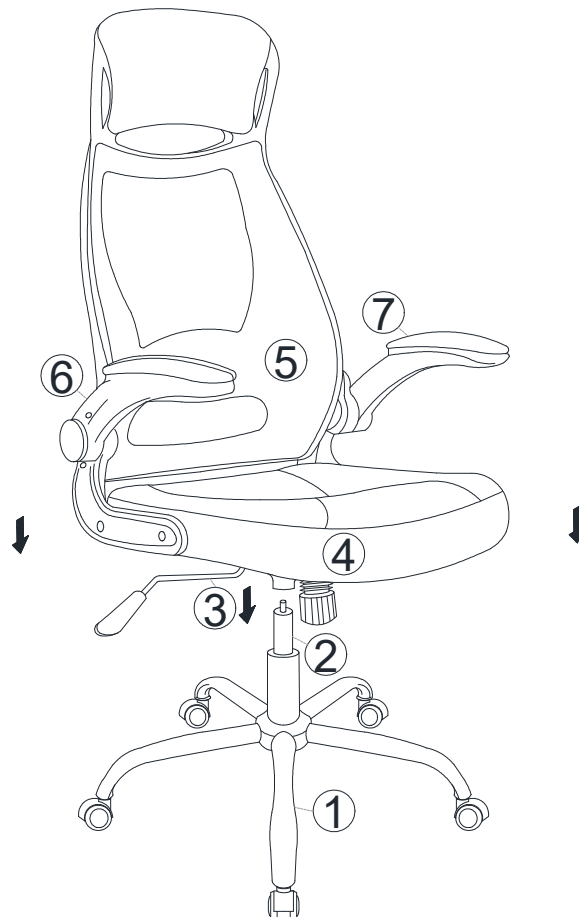
STEP 5:

Insert the bottom end of **Cylinder Column (2)** into the assembled **Base (1)** as shown.



STEP 6:

Insert the bottom holes of **Control Mechanism (3)** into the top end of **Cylinder Column (2)** as shown.

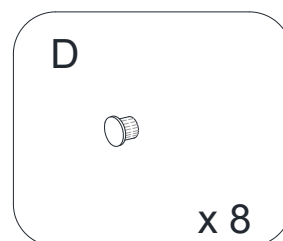
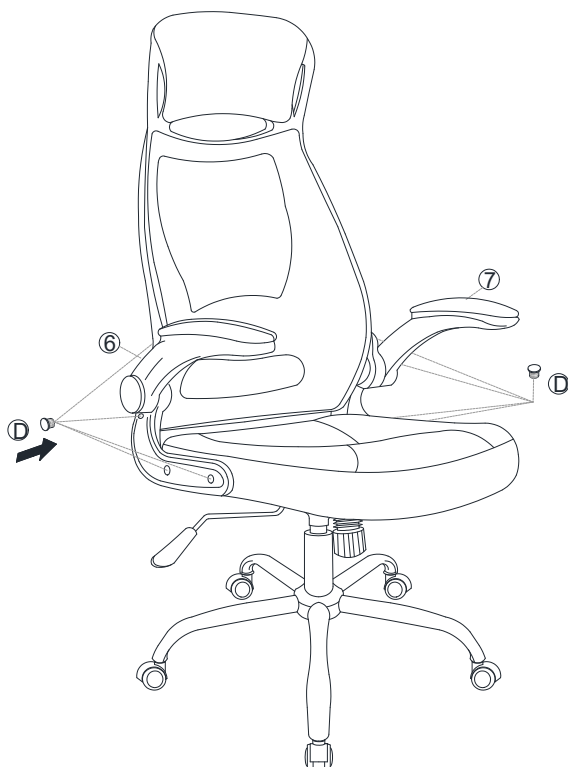


EEI-3039 Office Chair

STEP 7:

Fully tighten all Bolts by using Allen Wrench.

Attach 8 pieces of **Covers (D)** into the holes of **Left Arm (6)** and **Right Arm (7)** as shown.



Hardware & Tools required

STEP 8:

Assembly is completed. Your office chair is ready to be used now!

