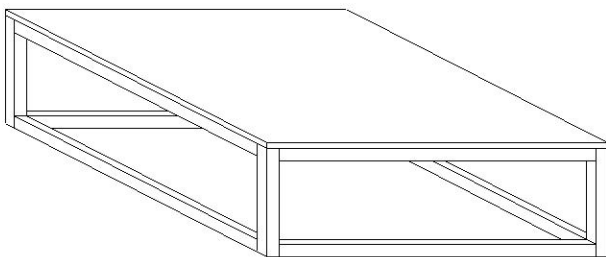


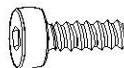
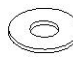

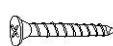
Thank you for purchasing the **MODWAY COFFEE TABLE**!

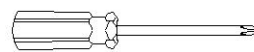
Before you start, here is some helpful advice:

1. We suggest you spend a short time reading through this leaflet and then follow the simple step by step instructions.
2. Owing to the size and weight of the coffee table, we recommend that it is assembled by two adults, on a carpeted or padded area, in the room that it is intended for. Approx assembly time: 30 minutes.
3. Please do not use any tools other than those provided or recommended in these instructions.
4. Please do not throw away any of the packaging or the instruction until you have checked all the components and hardware and the furniture is fully assembled. Please ensure that the packaging is disposed of in a safe environmentally friendly way.
5. Assemble all components loosely until advised to tighten. Depending on use, it may be necessary to tighten the components from time to time, so please save the tools that has been provided.
6. Please keep all fitting out of reach of children.



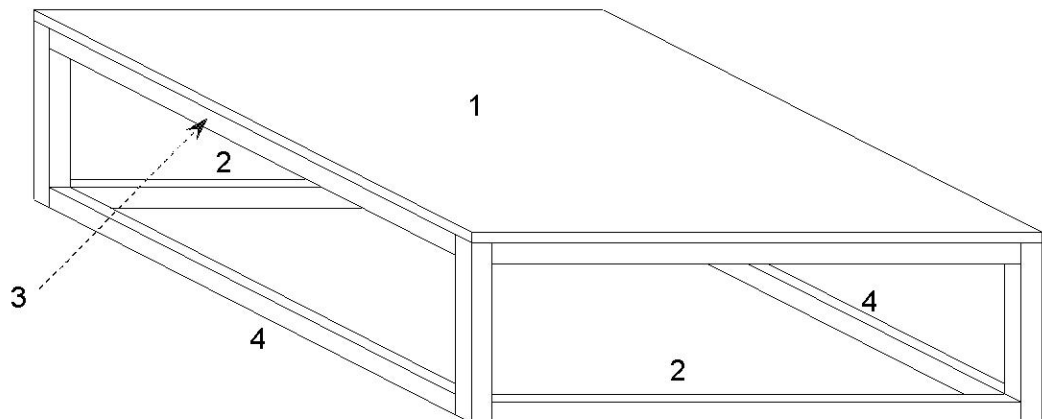
Hardware:

| | | | |
|---|--|-----------------|-----|
| A |  | Bolt M6x12mm | x12 |
| B |  | Flat Washer M8 | x12 |
| C |  | Allen Wrench M5 | x1 |
| D |  | Screw M4x20mm | x8 |



PHILLIPS HEAD SCREW DRIVER
NOT PROVIDED

Component:



| | | | | | | | | | | | |
|---|-----------|----|---|-----------|----|---|----------|----|---|-------------|----|
| 1 | Table Top | x1 | 2 | Table Leg | x2 | 3 | Top Rail | x2 | 4 | Bottom Rail | x2 |
|---|-----------|----|---|-----------|----|---|----------|----|---|-------------|----|

STEP 1:

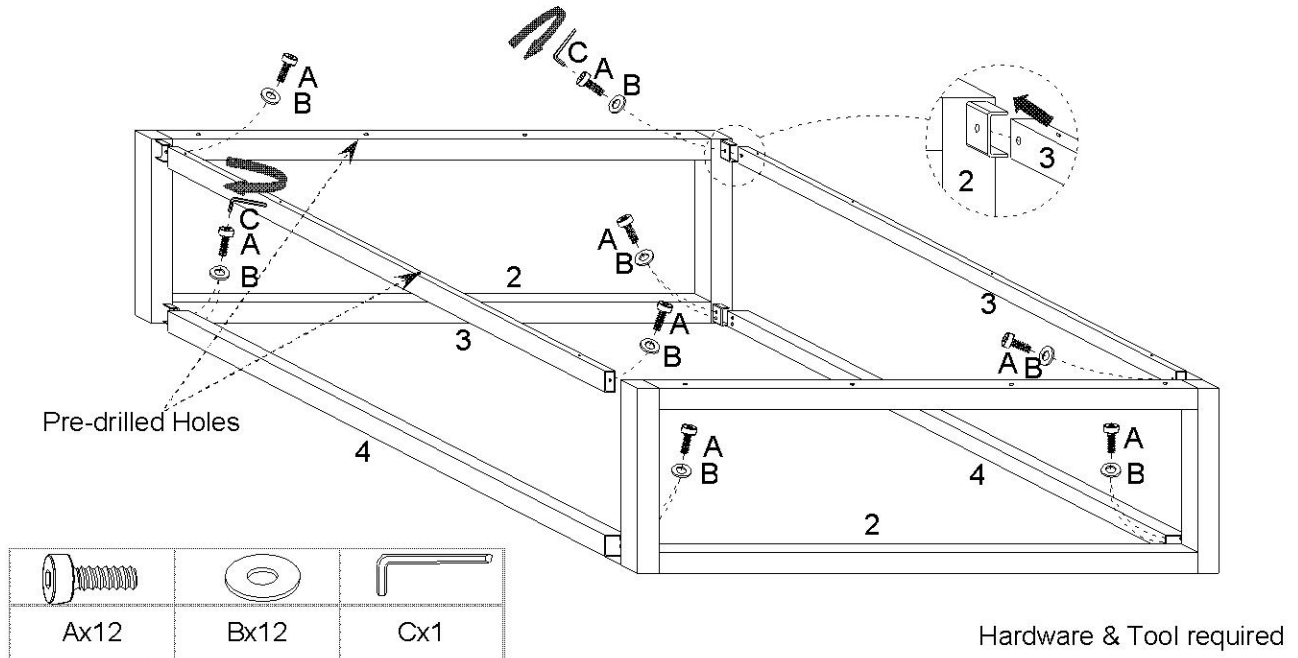
Please put **Table Legs (2)** on a carpeted or padded area.

Position **Top Rail (3)** and **Bottom Rail (4)** to **Table Legs (2)** as shown.

Insert 4 pieces of **Bolt (A)** with 4 pieces of **Flat Washer (B)** into the pre-drilled holes on **Table legs (2)** through the pre-drilled holes on **Top Rail (3)**.

Insert 8 pieces of **Bolt (A)** with 8 pieces of **Flat Washer (B)** into the pre-drilled holes on **Table Legs (2)** through the pre-drilled holes on **Bottom Rail (4)**.

Use **Allen Wrench (C)** to tighten **Bolt (A)** clockwise until secure.



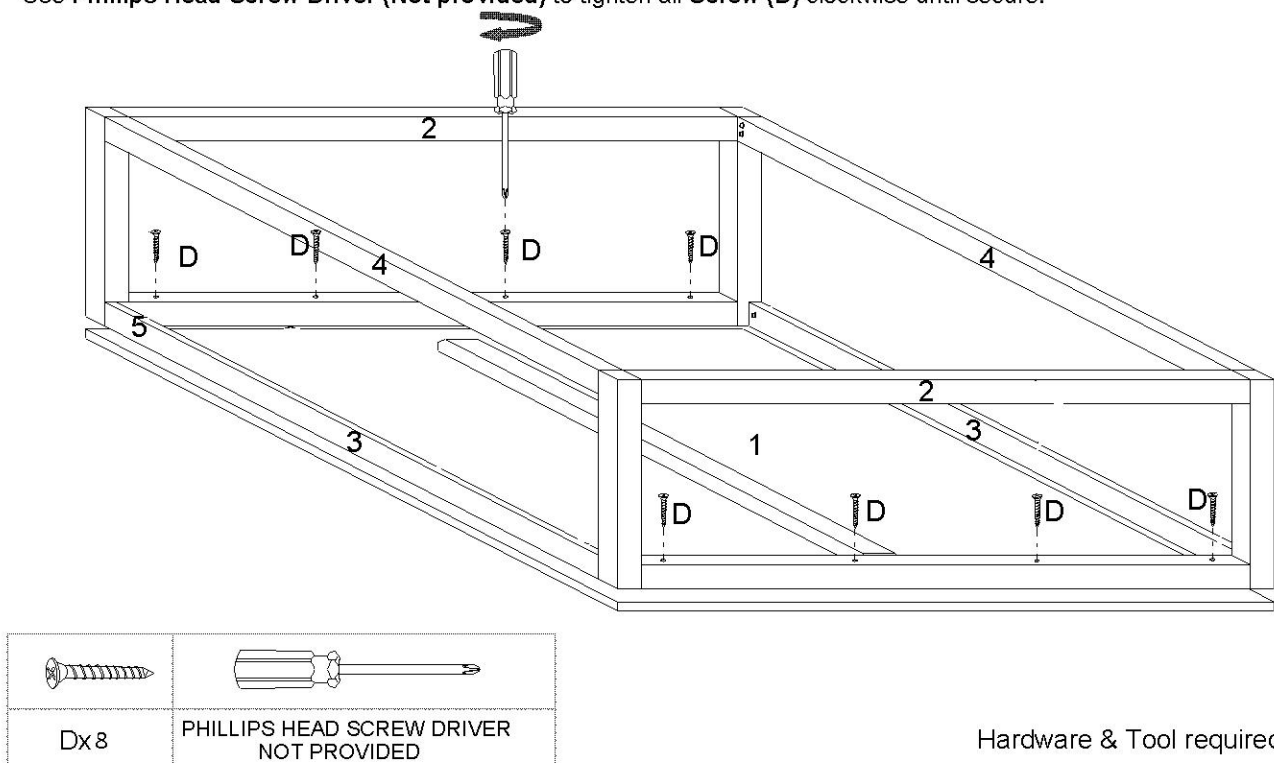
STEP 2:

Please put **Table Top (1)** upside down on a carpeted or padded area.

Position the assembled **Table Legs (2)**, **Top Rail (3)**, **Bottom Rail (4)** and **Support Rails (5)** upside down to **Table Top (1)** as shown.

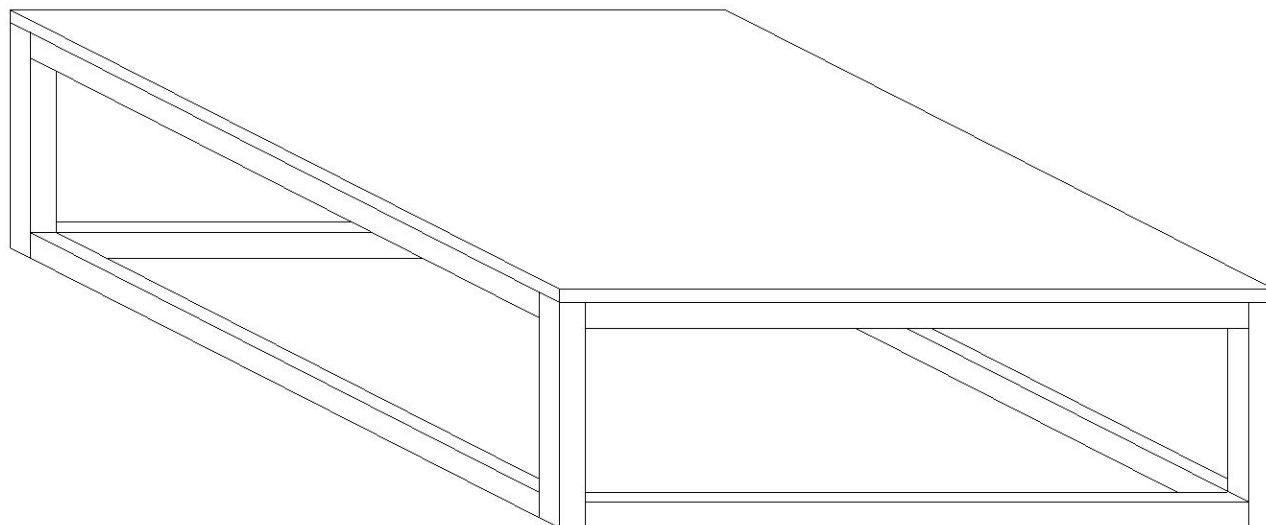
Insert 16 pieces of **Screw (D)** into the pre-drilled holes on **Table Top (1)** through the pre-drilled holes on **Table Leg (2)** and **Bottom Rail (4)**.

Use **Phillips Head Screw Driver (Not provided)** to tighten all **Screw (D)** clockwise until secure.



STEP 3:

Carefully turn over the assembled table.



Assembly is complete. Your table is ready to be used now!