

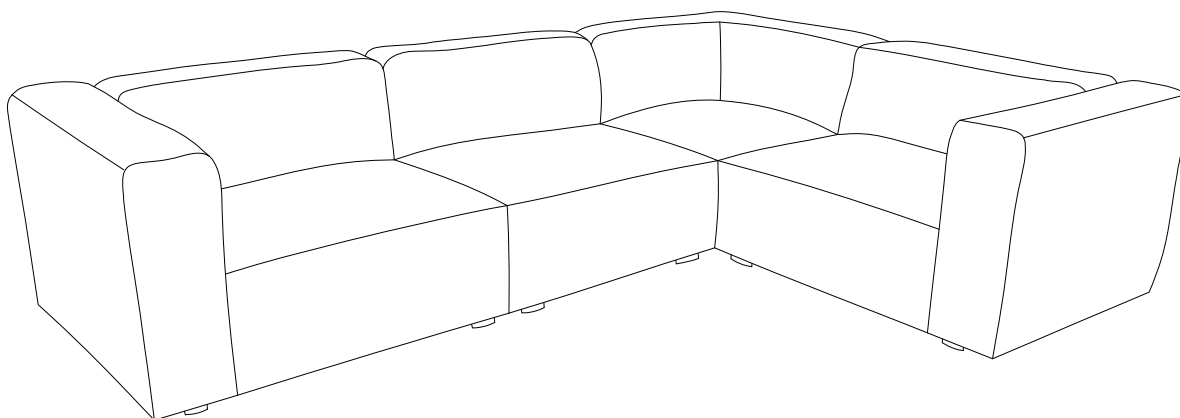
## How to connect sofa sectional for EEI-2720/ EEI-2721&EEI-2722/ EEI-2723 & EEI-2724/ EEI-2725& EEI-2726/ EEI-2727& EEI-2728/ EEI-2729



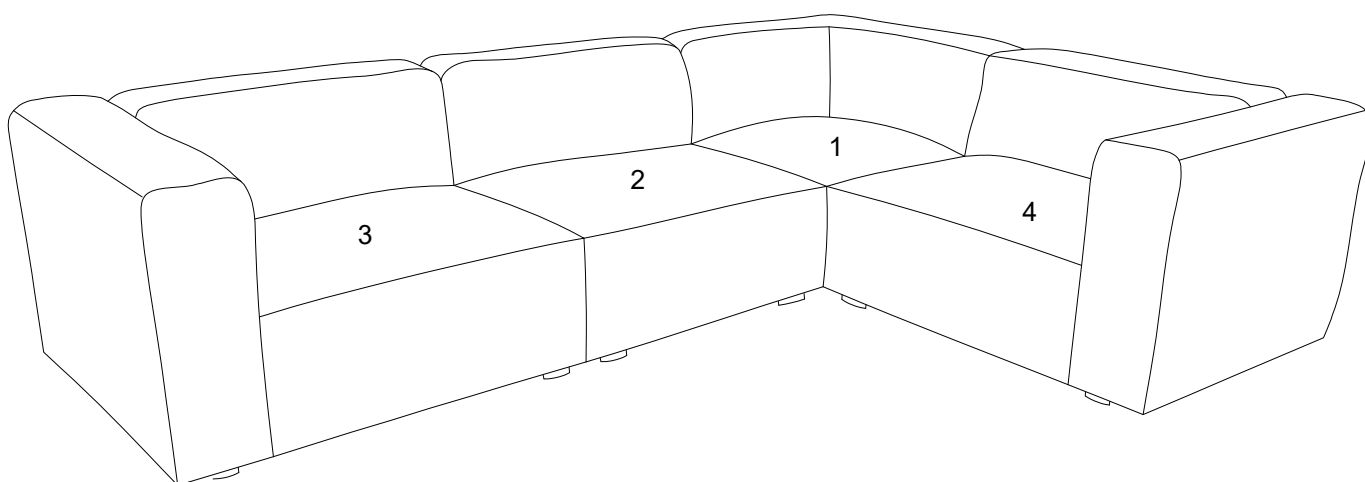
Thank you for purchasing the **MODWAY SOFA!**

Before you start, here is some helpful advice:

1. We suggest you spend a short time reading through this leaflet and then follow the simple step-by-step instructions.
2. Owing to the size and weight of the sofa section, we recommend that it is assembled by two adults, on a carpeted or padded area, in the room that it is intended for. Approximate assembly time: 30 minutes.
3. Please do not use any tools other than those provided or recommended in these instructions.
4. Please do not throw away any of the packaging or instructions until you have checked all the components and hardware and the furniture is fully assembled.
5. Assemble all components loosely until advised to tighten. Depending on use, it may be necessary to tighten the components from time to time, so please save the tools that have been provided.
6. Please keep all pieces out of reach of children.



### Component:



1 EEI-2728/EEI-2729 Corner Seat x1

2 EEI-2724/ EEI-2725 Armless Chair x1

3 EEI-2720/ EEI-2721 Left Arm Chair x1

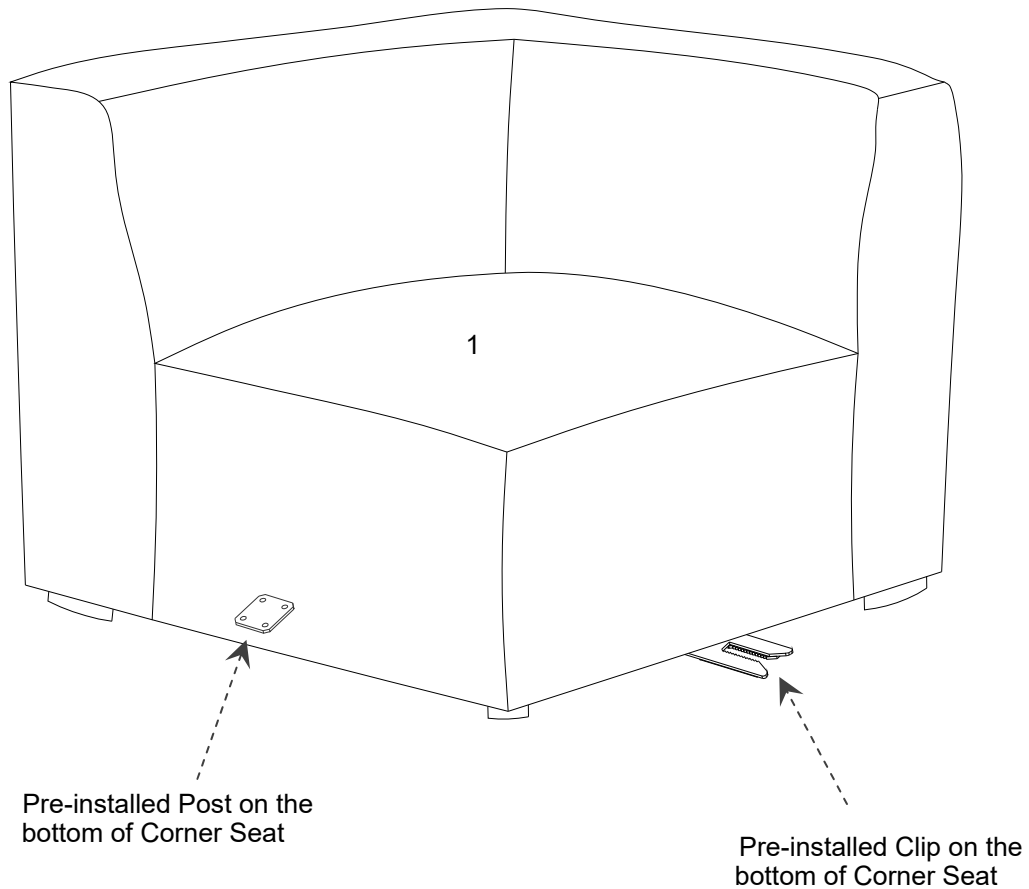
4 EEI-2722/ EEI-2723 Right Arm Chair x1

How to connect sofa sectional for EEI-2720/ EEI-2721&EEI-2722/ EEI-2723  
& EEI-2724/ EEI-2725& EEI-2726/ EEI-2727& EEI-2728/ EEI-2729

---

**STEP 1:**

Please carefully place **EEI-2728/2729 Corner Seat (1)** at your desired location.

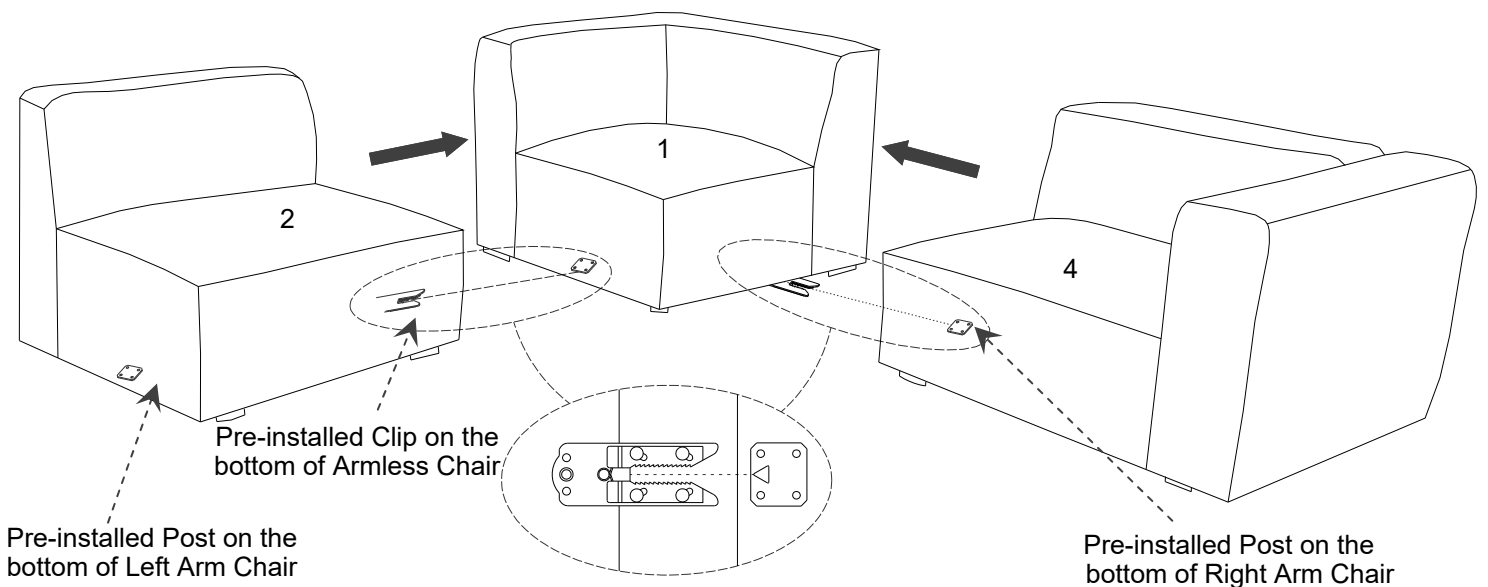


---

**STEP 2:**

Put **EEI-2722/2723 Right Arm Chair (4)** and **EEI-2724/2725 Armless Chair(2)** close to **EEI-2728/2729 Corner Seat (1)**. Align the pre-installed Clip to the pre-installed Post as shown.

Push **EEI-2722/2723 Right Arm Chair (4)** and **EEI-2724/2725 Armless Chair (2)** slowly until the Clip and the Post click together tightly.



## How to connect sofa sectional for EEI-2720/ EEI-2721&EEI-2722/ EEI-2723 & EEI-2724/ EEI-2725& EEI-2726/ EEI-2727& EEI-2728/ EEI-2729

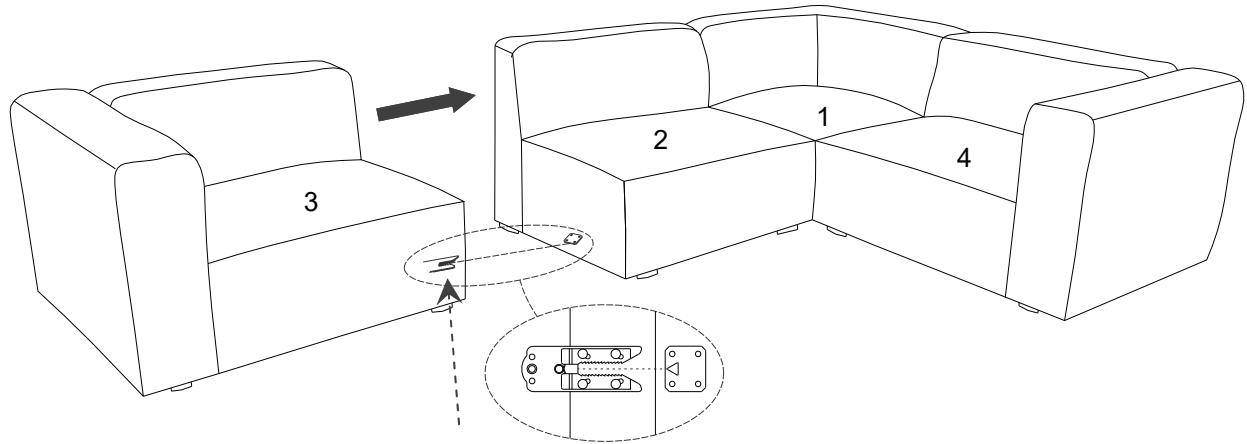
---

### STEP 3:

Put **EEI-2720/2721 Left Arm Chair (3)** close to **EEI-2724/2725 Armless Chair (2)**.

Align the pre-installed Clip to the pre-installed Post as shown.

Push **EEI-2720/2721 Left Arm Chair (3)** slowly until the Clip and the Post click together tightly.



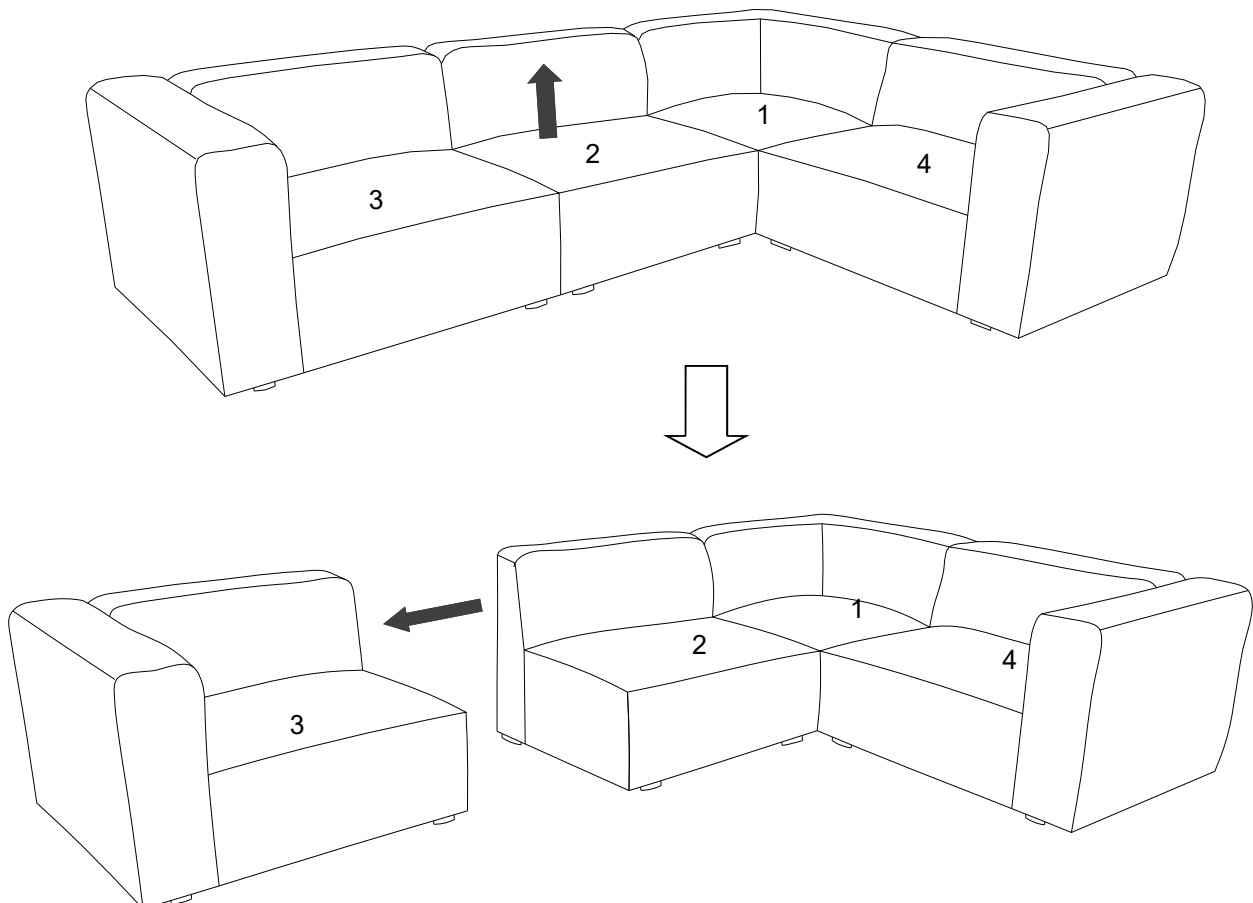
Pre-installed Clip on the  
bottom of Left Arm Chair

Assembly is complete. Your sofa combination is ready to be used now!

---

If you want to unlock the sofa combination:

Lift up **EEI-2724/2725 Armless Chair (2)** and move **EEI-2720/2721 Left Arm Chair (3)** apart from **EEI-2724/2725 Armless Chair (2)**.

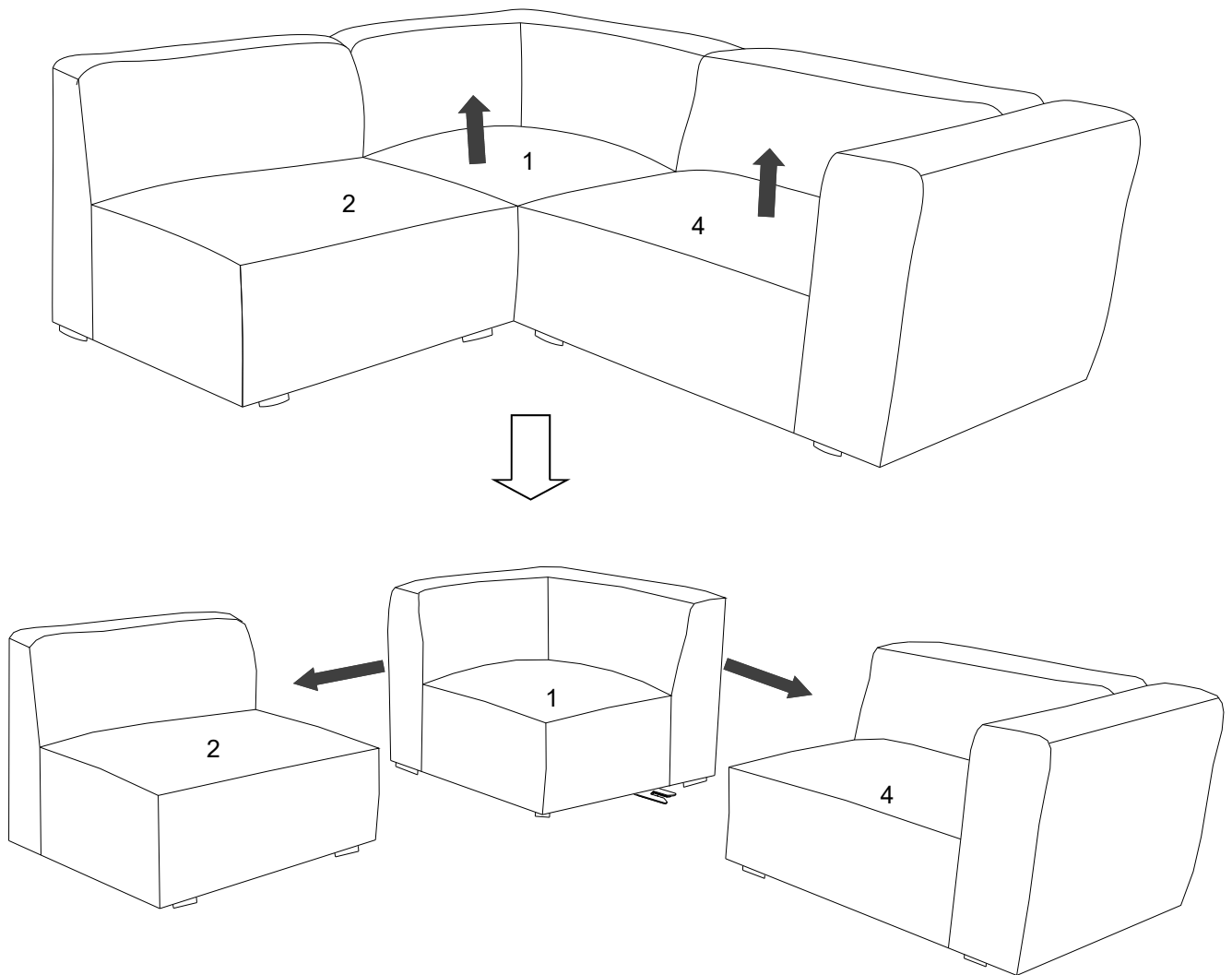


## How to connect sofa sectional for EEI-2720/ EEI-2721&EEI-2722/ EEI-2723 & EEI-2724/ EEI-2725& EEI-2726/ EEI-2727& EEI-2728/ EEI-2729

---

Lift up **EEI-2728/2729 Corner Seat (1)** and move **EEI-2724/2725 Armless Chair (2)** apart from **EEI-2728/2729 Corner Seat (1)** as shown.

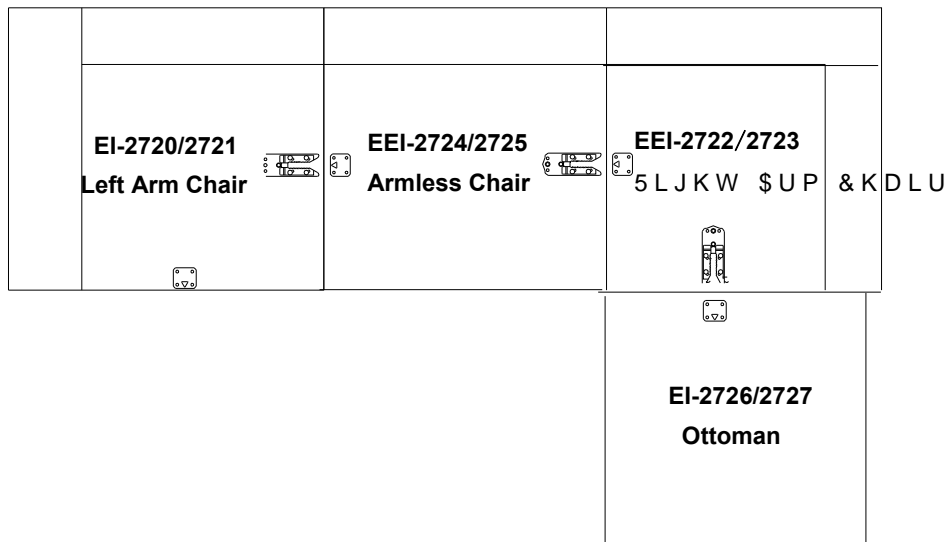
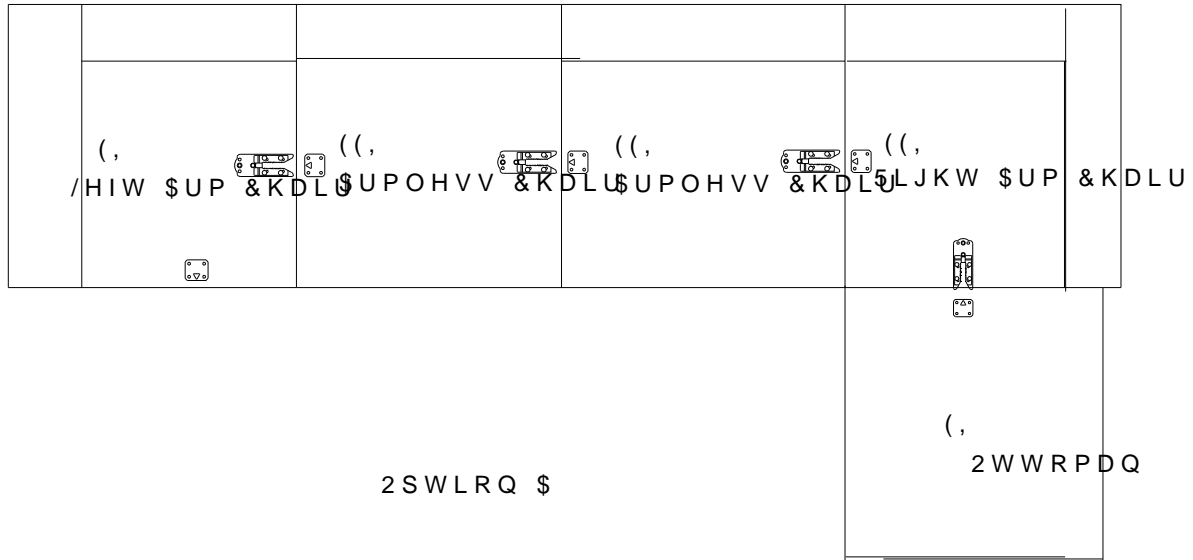
Lift up **EEI-2722/2723 Right Arm Chair (4)** and move **EEI-2722/2723 Right Arm Chair (4)** apart from **EEI-2728/2729 Corner Seat (1)**.





ASSEMBLY FOR EEI-2726/ EEI-2727 OTTOMAN

, I \RX ZDQW (WR ORFN2WW RPDQ KH VRID FRPELQDWLRQ WKH DVVHPEO\ LQVWUXFW



Option B