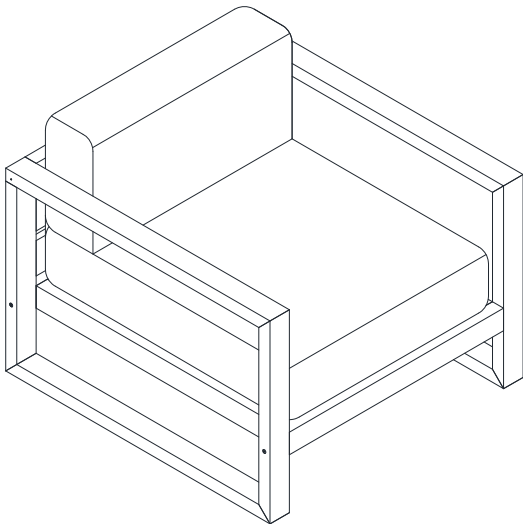




Thank you for purchasing the **MODWAY LOUNGE!**

Before you start, here is some helpful advice:

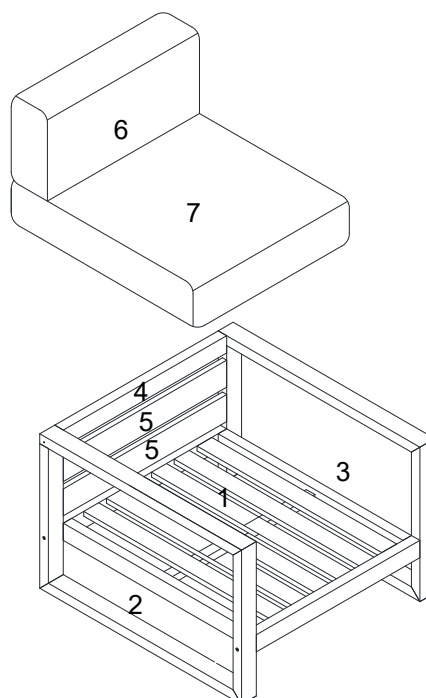
1. We suggest you spend a short time reading through this leaflet and then follow the simple step by step instructions.
2. Owing to the size and weight of the lounge, we recommend that it is assembled by two adults, on a carpeted or padded area, in the room that it is intended for. Approximate assembly time: 30 minutes.
3. Please do not use any tools other than those provided or recommended in these instructions.
4. Please do not throw away any of the packaging or instructions until you have checked all the components and hardware and the furniture is fully assembled.
5. Assemble all components loosely until advised to tighten. Depending on use, it may be necessary to tighten the components from time to time, so please save the tools that have been provided.
6. Please keep all pieces out of reach of small children.



Hardware:

- | | | | |
|---|--|-----------------|-----|
| A |  | Bolt M6x70mm | x 6 |
| B |  | Allen Wrench M4 | x 1 |

Component:



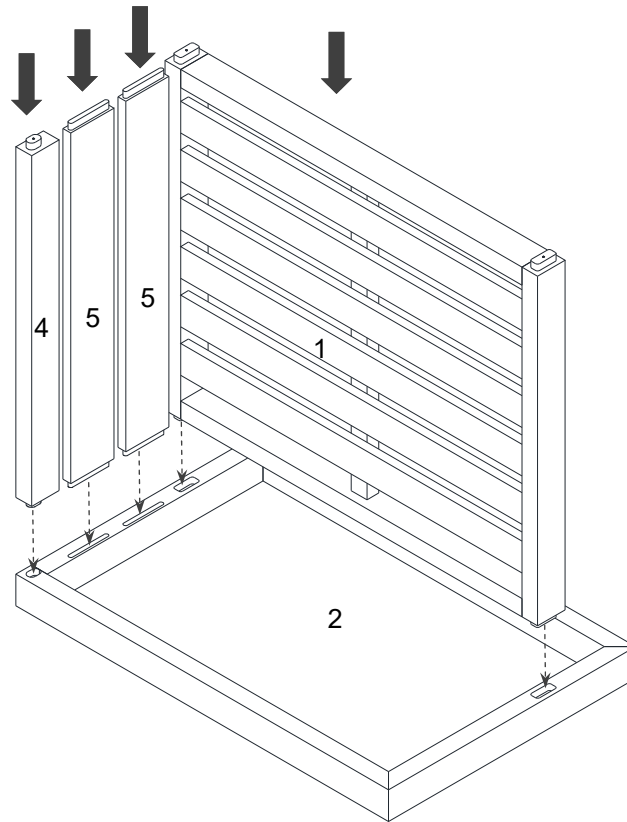
- | | | | | | | | | | | | |
|---|-------------|----|---|--------------|----|---|--------------|----|---|----------|----|
| 1 | Lounge Seat | x1 | 2 | Left Frame | x1 | 3 | Right Frame | x1 | 4 | Top Rail | x1 |
| 5 | Back Rail | x2 | 6 | Back Cushion | x1 | 7 | Seat Cushion | x1 | | | |

STEP 1:

Please put **Left Frame (2)** on a carpeted or padded area.

Insert the tenon on **Lounge Seat (1)** into the rabbet on **Left Frame (2)** at first.

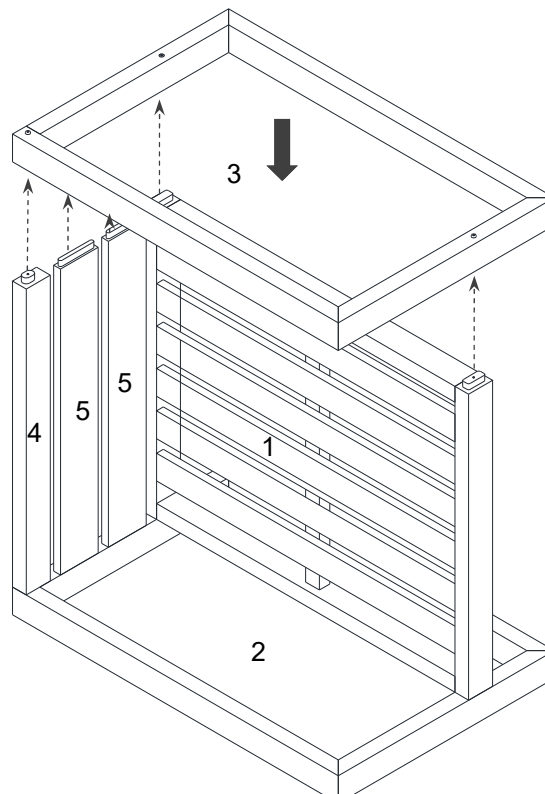
Then insert the tenon on **Lounge Seat (1)**, **Top Rail (4)** and **Back Rails (5)** into the rabbet on **Left Frame (2)** as shown.



STEP 2:

Carefully position **Right Frame (3)** to the assembled **Lounge Seat (1)**, **Left Frame (2)**, **Top Rail (4)** and **Back Rails (5)** as shown.

Insert the tenon on **Lounge Seat (1)**, **Top Rail (4)** and **Back Rails (5)** into the rabbet on **Right Frame (3)**.

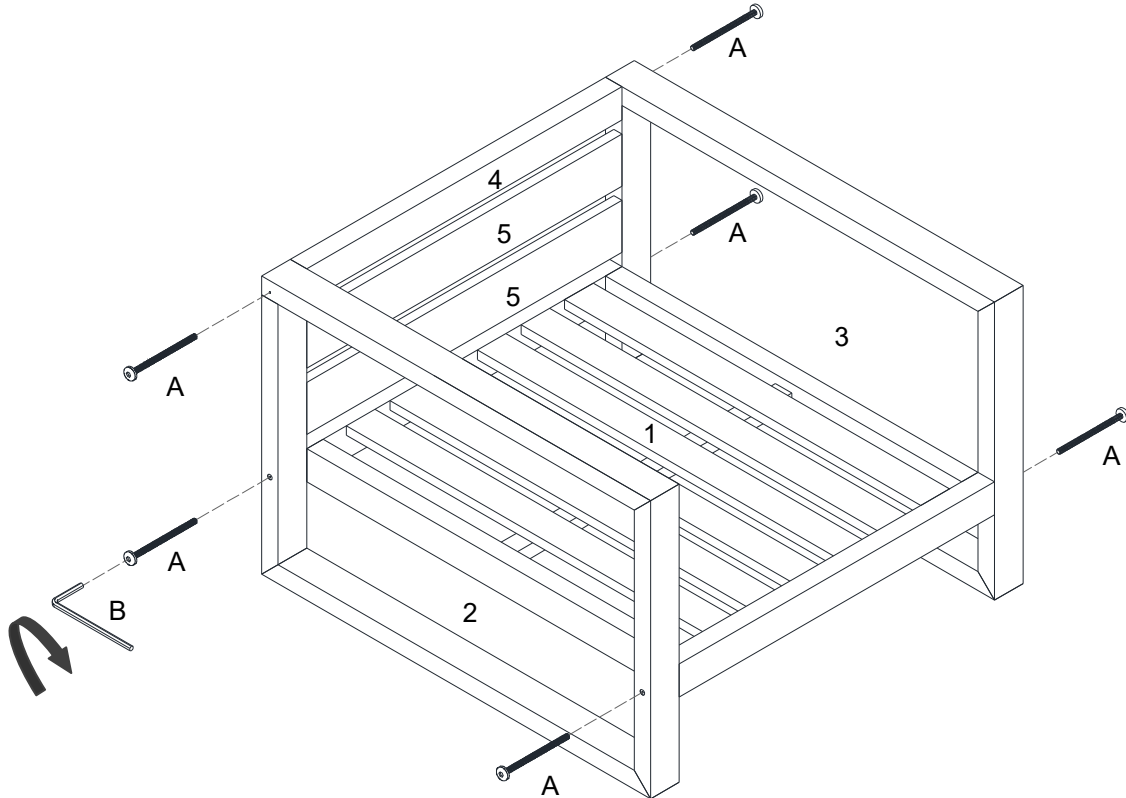




STEP 3:

Carefully turn over the assembled **Lounge Seat (1)**, **Left Frame (2)**, **Right Frame (3)**, **Top Rail (4)** and **Back Rails (5)**. Insert 3 pieces of **Bolt (A)** into the pre-drilled holes on **Lounge Seat (1)**, **Top Rail (4)** and **Back Rail (5)** through the bottom pre-drilled holes on **Left Frame (2)**.

Use **Allen Wrench (B)** to tighten **Bolts (A)** clockwise until secure.

Repeat the same steps for **Right Frame (3)**.



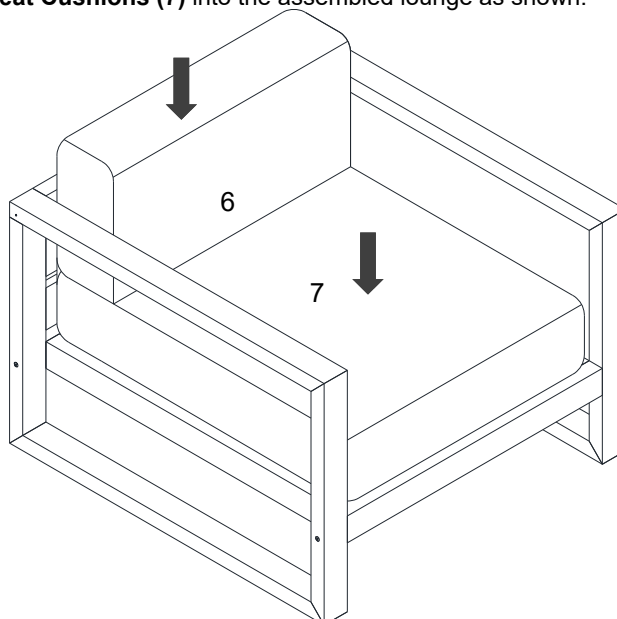
	
Ax6	Bx1

Hardware & Tool required

STEP 4:

Carefully position the assembled lounge to the desired location.

Put **Back Cushions (6)** and **Seat Cushions (7)** into the assembled lounge as shown.



Assembly is complete. Your lounge is ready to be used now!