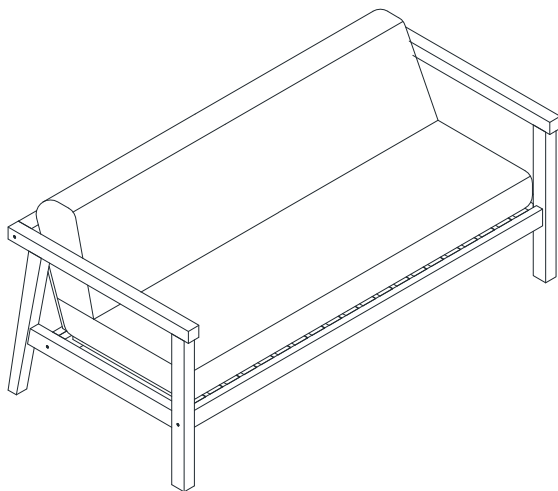





Thank you for purchasing the **MODWAY LOVESEAT!**

Before you start, here is some helpful advice:

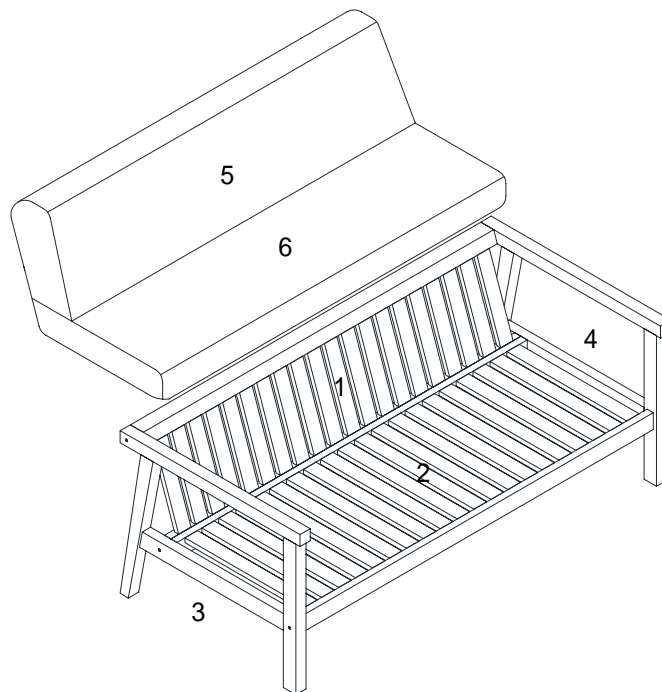
1. We suggest you spend a short time reading through this leaflet and then follow the simple step-by-step instructions.
2. Owing to the size and weight of the loveseat, we recommend that it is assembled by two adults, on a carpeted or padded area, in the room that it is intended for. Approximate assembly time: 30 minutes.
3. Please do not use any tools other than those provided or recommended in these instructions.
4. Please do not throw away any of the packaging or instructions until you have checked all the components and hardware and the furniture is fully assembled.
5. Assemble all components loosely until advised to tighten. Depending on use, it may be necessary to tighten the components from time to time, so please save the tools that have been provided.
6. Please keep all pieces out of reach of children.



Hardware:

- | | | | |
|----|--|-----------------|-----|
| A |  | Bolt M6x70mm | x 6 |
| AB |  | Bolt M6x50mm | x 2 |
| B |  | Allen Wrench M4 | x 1 |

Component:



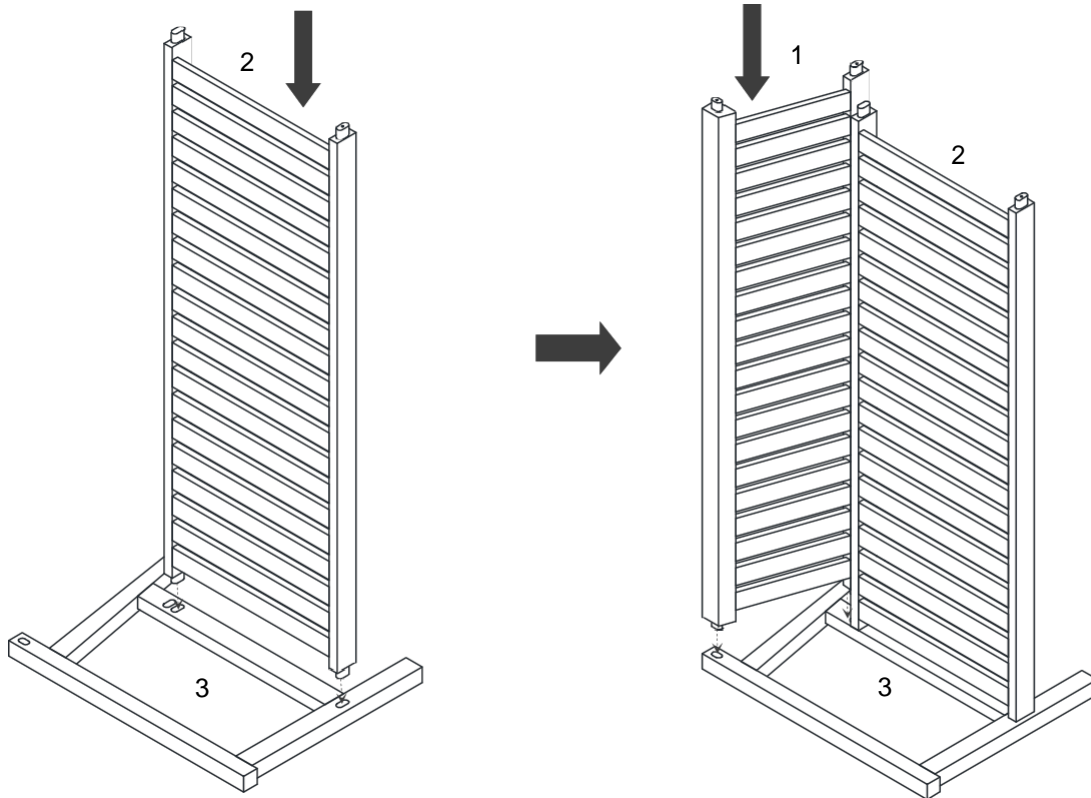
- | | | |
|---|--|---|
| <p>1 Loveseat Back x1</p> <p>4 Right Frame x1</p> | <p>2 Loveseat Seat x1</p> <p>5 Back Cushion x1</p> | <p>3 Left Frame x1</p> <p>6 Seat Cushion x1</p> |
|---|--|---|

STEP 1:

Please put **Left Frame (3)** on a carpeted or padded area.

Insert the tenon on **Loveseat Seat (2)** into the rabbet on **Left Frame (3)** at first.

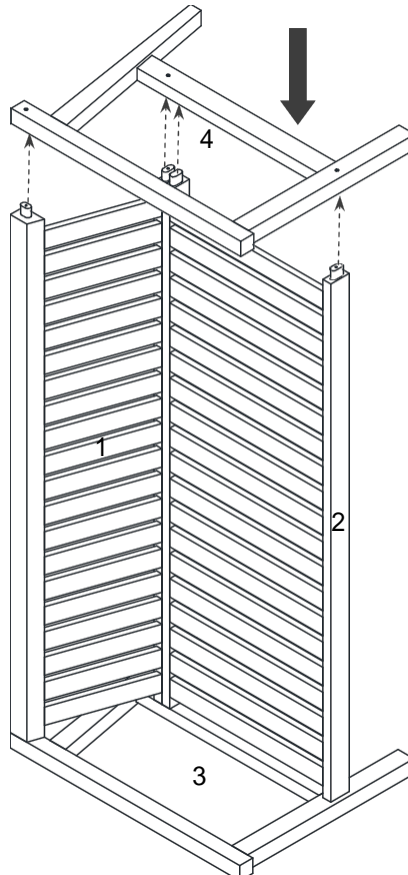
Then insert the tenon on **Loveseat Back (1)** into the rabbet on **Left Frame (3)** as shown.



STEP 2:

Carefully position **Right Frame (4)** to the assembled Loveseat Back (1), Loveseat Seat (2), and Left Frame (3) as shown.

Insert the tenon on **Loveseat Back (1)** and **Loveseat Seat (2)** into the rabbet on **Right Frame (4)**.



STEP 3:

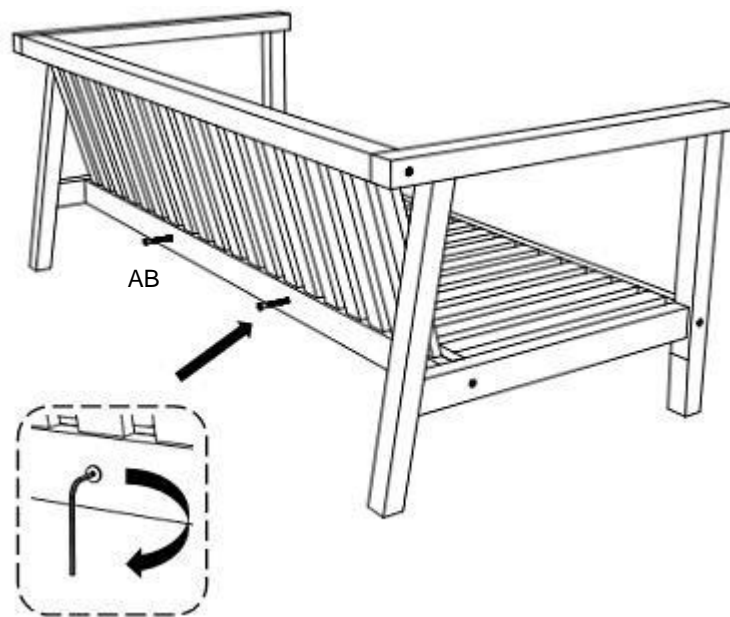
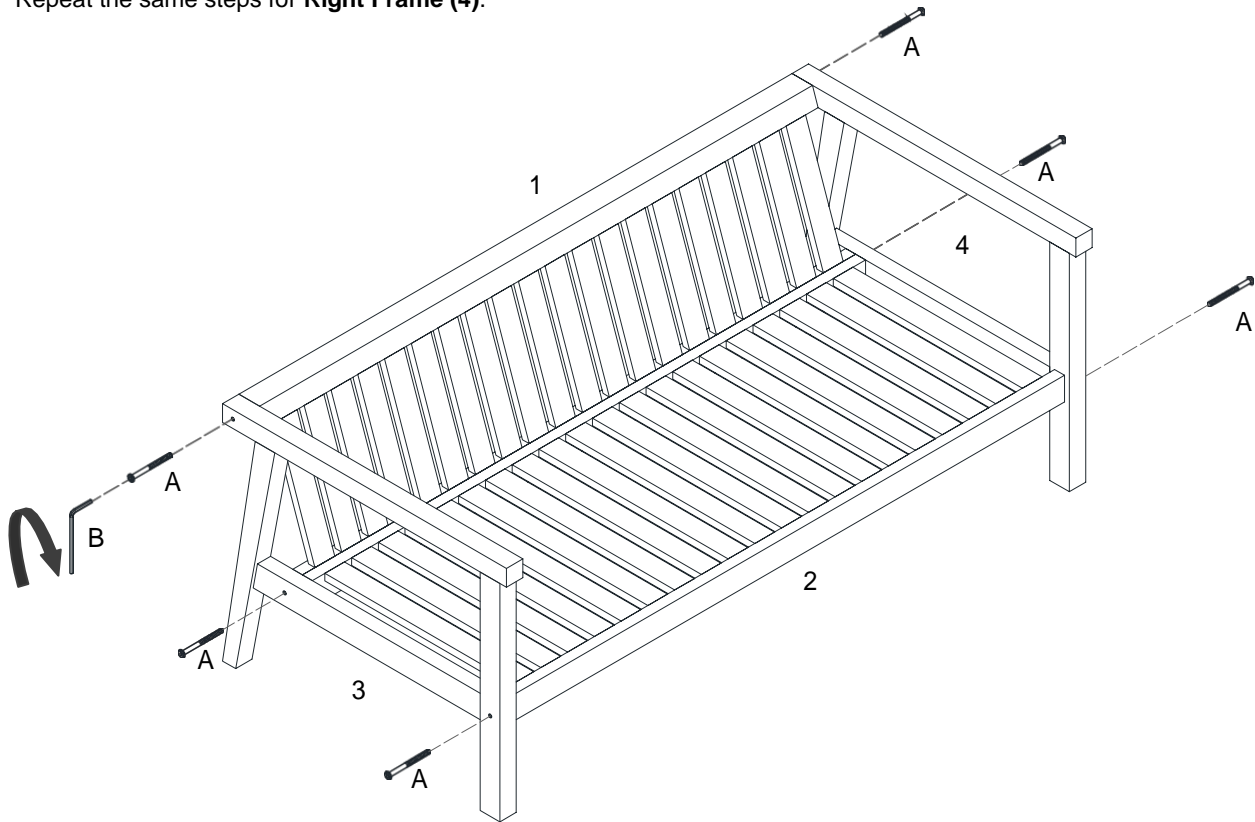
Carefully turn over the assembled **Loveseat Back (1)**, **Loveseat Seat (2)**, **Left Frame (3)**, and **Right Frame (4)**.

Insert 2 pieces of **Bolt (A)** into the pre-drilled holes on **Loveseat Back (1)** through the top pre-drilled holes on **Left Frame (3)**.

Insert 1 piece of **Bolt (A)** into the pre-drilled holes on **Loveseat Seat (2)** through the top pre-drilled holes on **Left Frame (3)**.

Use **Allen Wrench (B)** to tighten **Bolts (A)** clockwise until secure.

Repeat the same steps for **Right Frame (4)**.



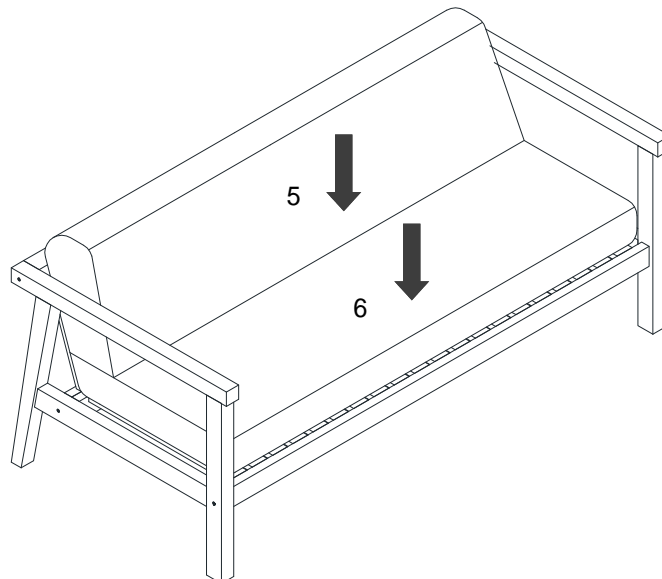
Ax6	ABx2	Bx1

Hardware & Tool required

STEP 4:

Carefully position the assembled loveseat to the desired location.

Put **Back Cushion (5)** and **Seat Cushion (6)** into the assembled loveseat as shown.



Assembly is complete. Your loveseat is ready to be used now!