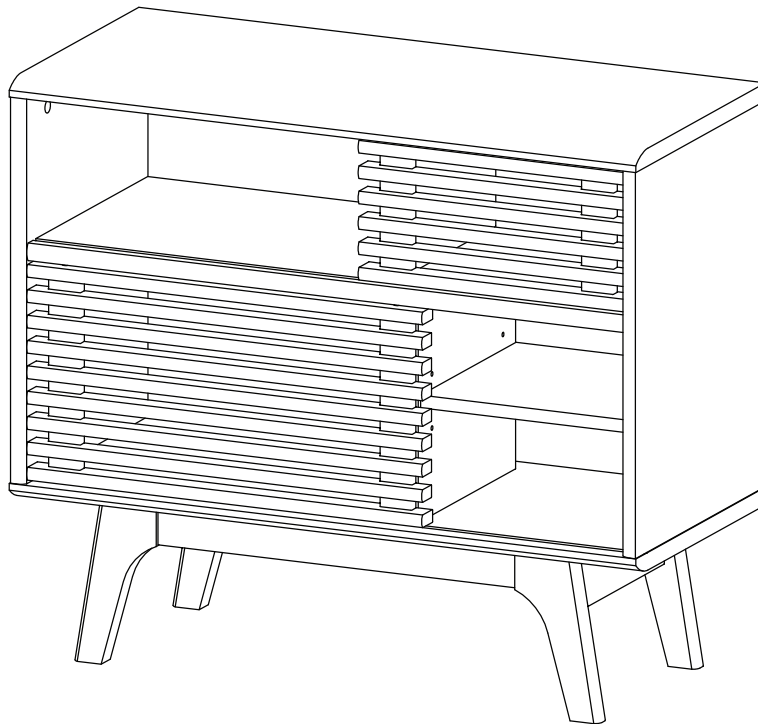


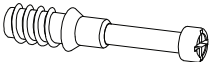


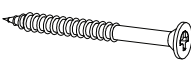
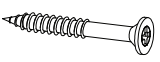

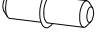

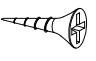
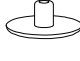


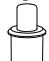


Thank you for purchasing the **MODWAY Cabinet!**

Before you start, here are some helpful advice:

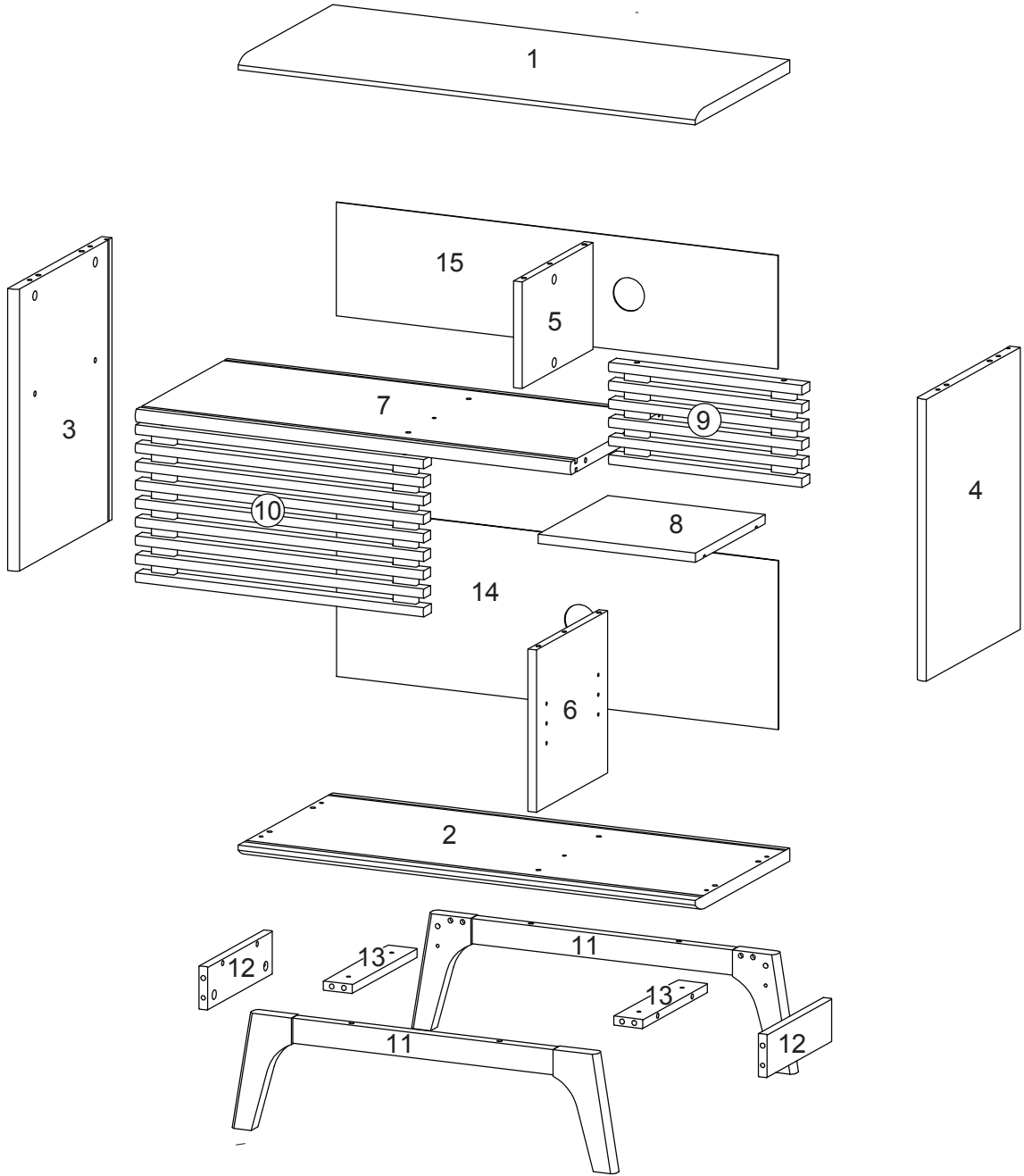
1. We suggest you spend a short time reading through this leaflet and then follow the simple step-by-step instructions.
2. Owing to the size and weight of the cabinet, we recommend that it is assembled by two adults, on a carpeted or padded area, in the room that it is intended for. Approximate assembly time: 60 minutes.
3. Please do not use any tools other than those provided or recommended in these instructions.
4. Please do not throw away any of the packaging or instructions until you have checked all the components and hardware and the furniture is fully assembled.
5. Assemble all components loosely until advised to tighten. Depending on use, it may be necessary to tighten the components from time to time, so please save the tools that have been provided.
6. Please keep all pieces out of reach of children.



Hardware :

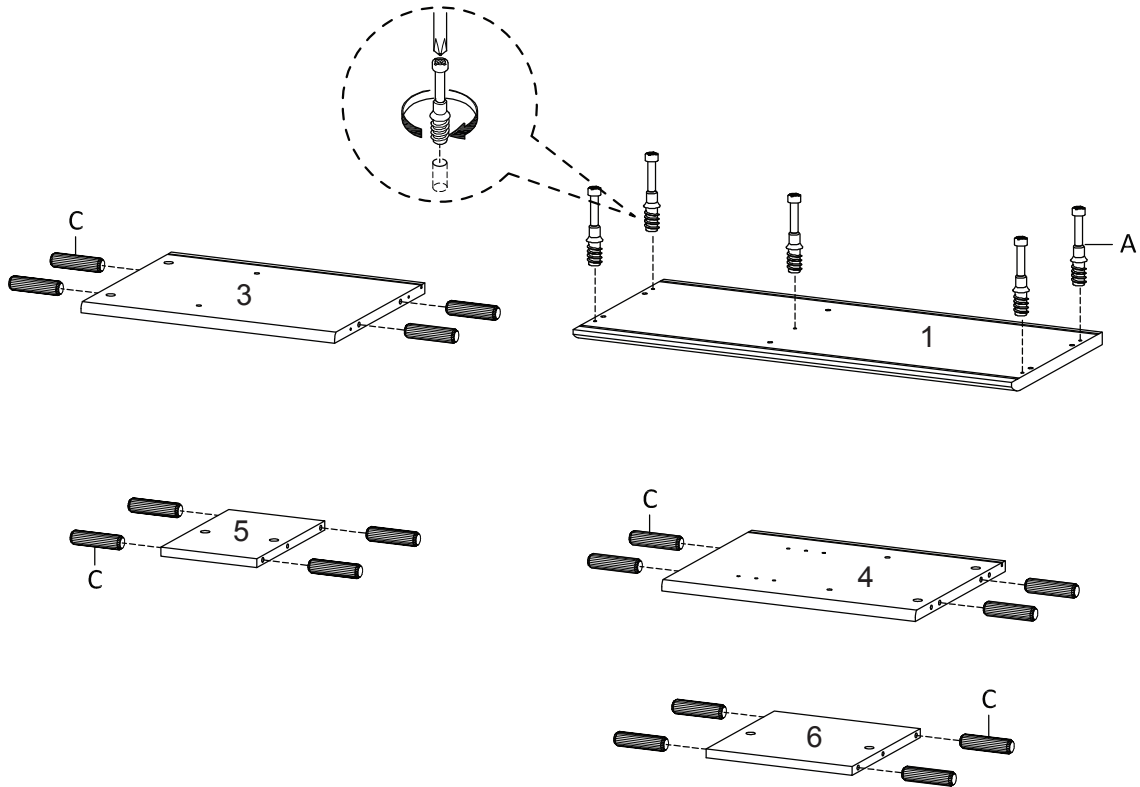
A Cambolt/Metal  \varnothing 6 x 35 mm x12	B CamLock/Metal  \varnothing 15 mm x12	C Dowel Big/Wood  \varnothing 8 x 30 mm x 40	D Screw/Metal  M 12 x 45 mm x 4	E Screw/Metal  M 12 x 35 mm x 4
F Screw Cup/Plastic  \varnothing 15 mm(Short) x 4	G Shelf Pin/Metal  \varnothing 5 x 15 mm x 4	H Wedge/Plastic  9 x 14 x 10 mm x 8	I Screw/Metal  M 3.5 x 15.5 mm x 8	J Screw Cup/Plastic  \varnothing 15 mm(Long) x 4
K Buffer/Rubber  \varnothing 8 mm x 4	L Foam Pad/Spon  25 x 25 x 2 mm x 4	M Pin Sliding Top/Plastic  \varnothing 8 x 19 mm x 4	N Pin Sliding Bottom/Plastic  \varnothing 8 x 16 mm x 4	O Screwdriver (Not Include)  x 1

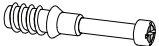


Components:



1	Top Board	x1	2	Bottom Board	x1	3	Side Board Left	x1	4	Side Board Right	x1
5	Centre Board Small	x1	6	Centre Board Big	x1	7	Fixed Shelf	x1	8	Adjustable Shelf	x1
9	Sliding Door Small	x1	10	Sliding Door Small	x1	11	Leg	x2	12	Support Board 1	x2
13	Support Board 2	x2	14	Back Board Big	x1	15	Back Board Small	x1			

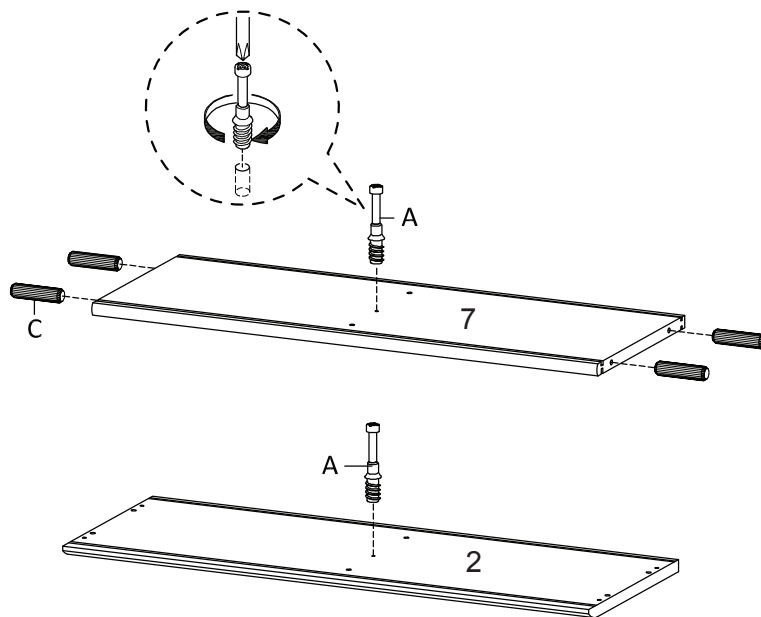
STEP 1:



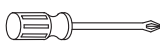


		
Ax5	Cx16	Ox1

Hardware required. Screwdriver not included

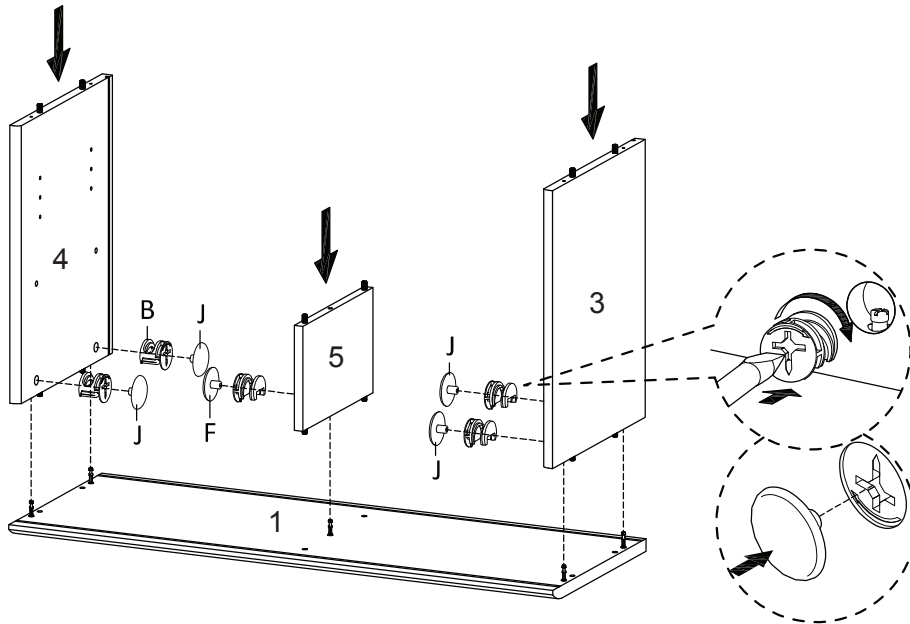
STEP 2:



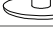



		
Ax2	Cx4	Ox1

Hardware required. Screwdriver not included

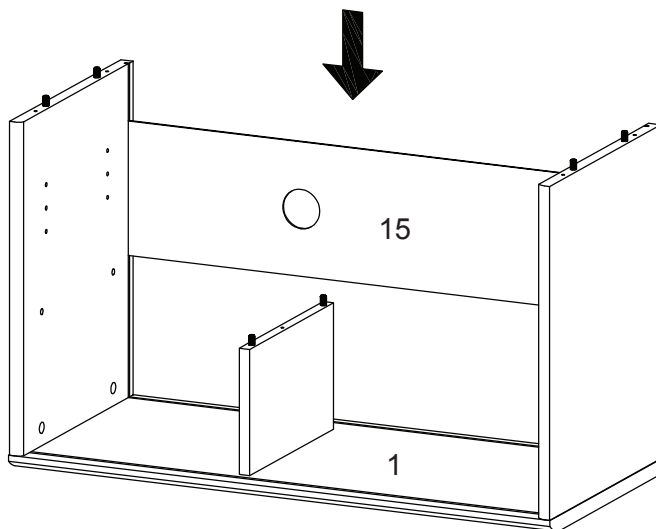
STEP 3:



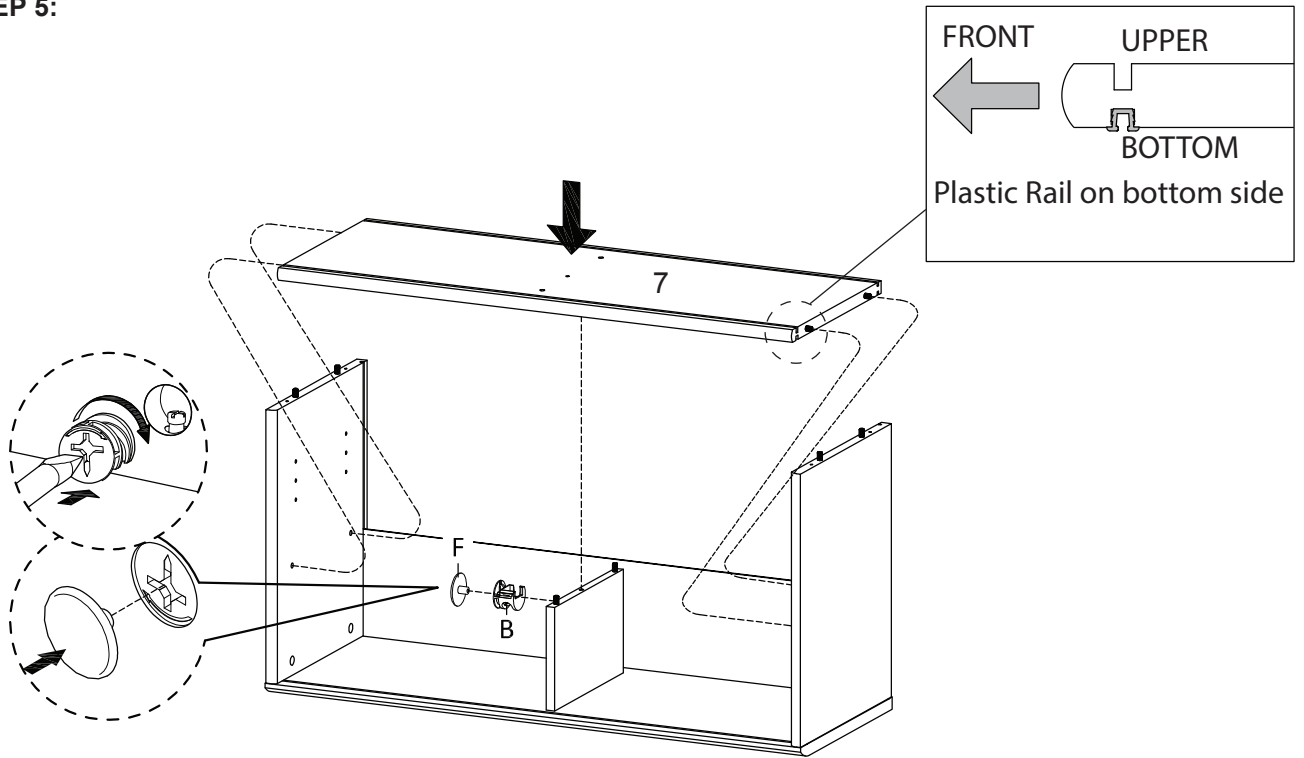
			
Bx5	Fx1	Jx4	Ox1

Hardware required. Screwdriver not included

STEP 4:



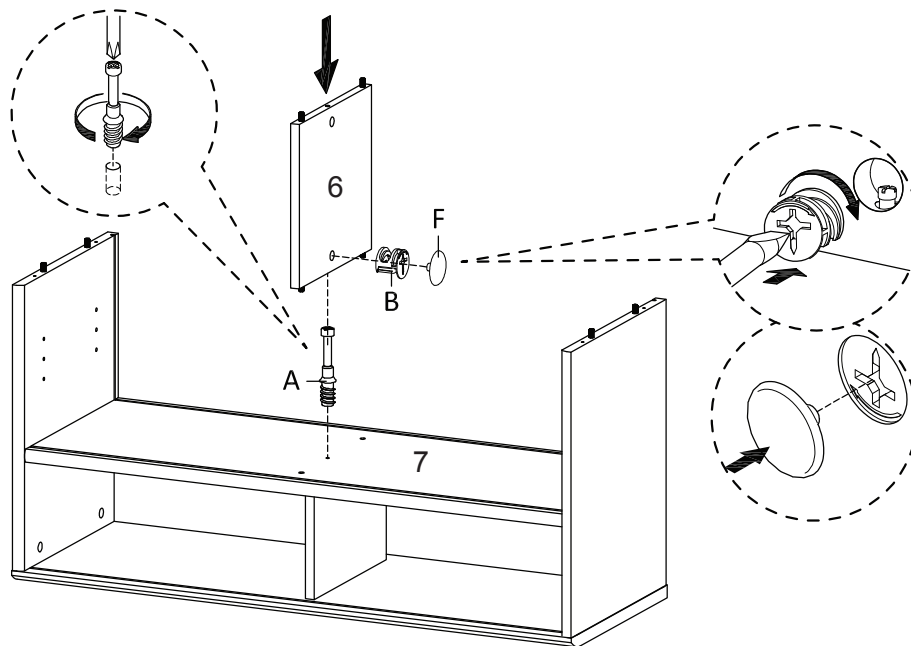
STEP 5:



Bx1	Fx1	Ox1

Hardware required. Screwdriver not included

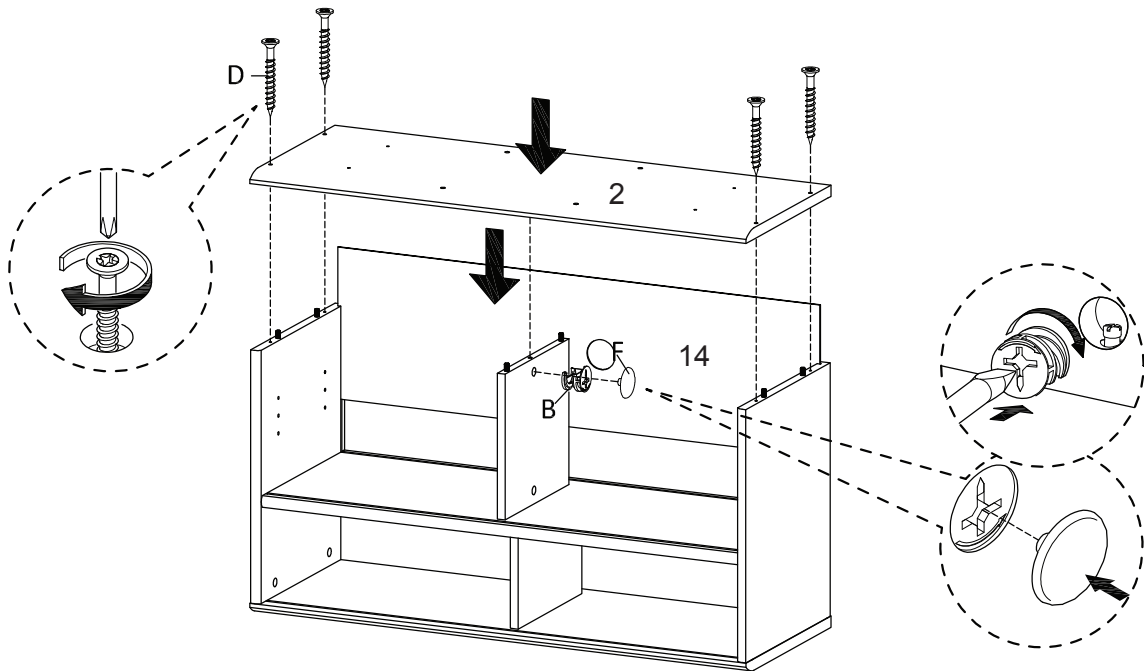
STEP 6:



Ax1	Bx1	Fx1	Ox1

Hardware required. Screwdriver not included

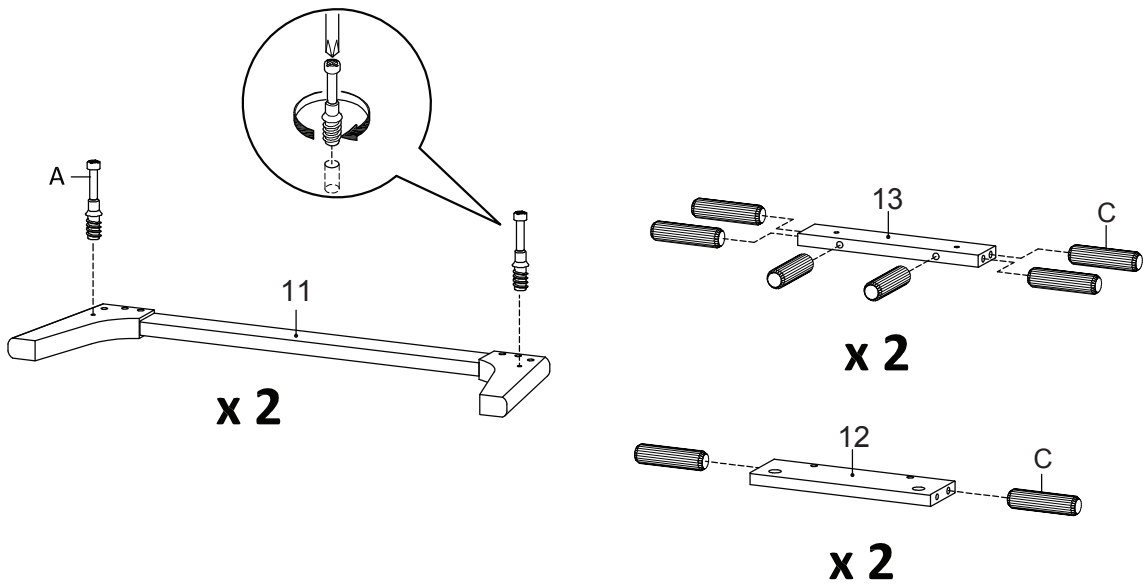
STEP 7:



Bx1	Dx4	Fx1	Ox1

Hardware required. Screwdriver not included

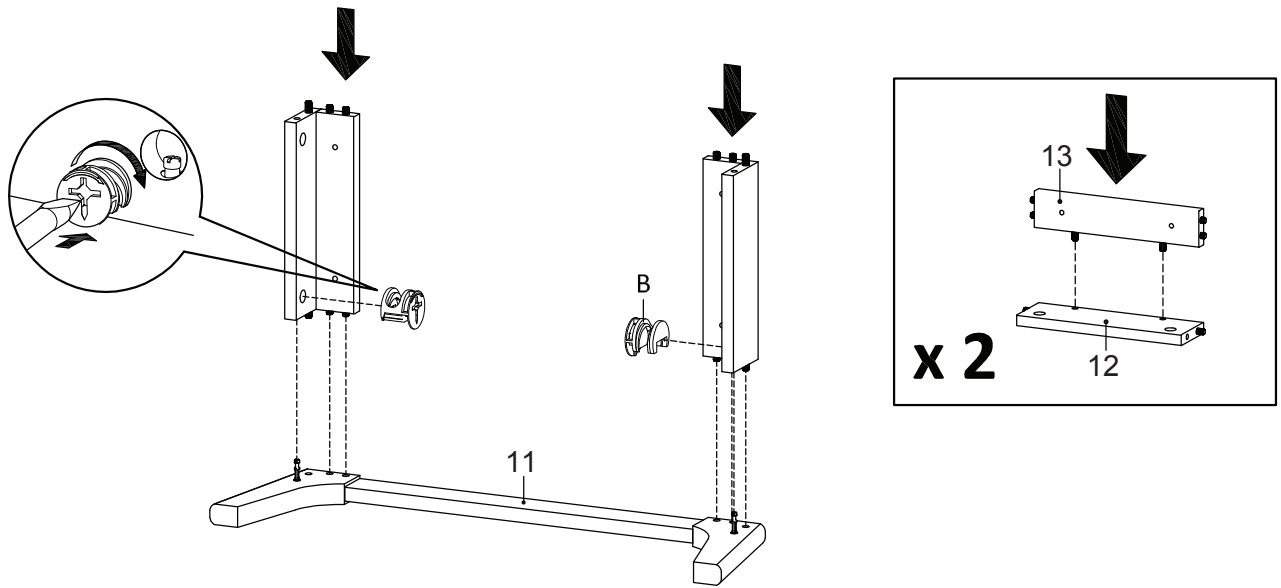
STEP 8:


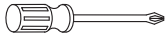


Ax4	Cx16	Ox1

Hardware required. Screwdriver not included

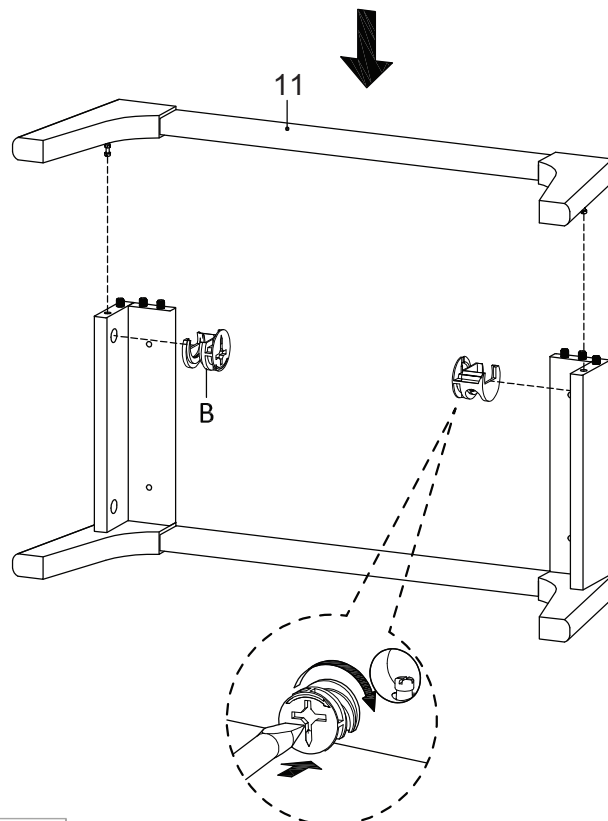
STEP 9:


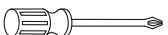


	
Bx2	Ox1

Hardware required. Screwdriver not included

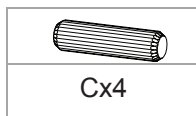
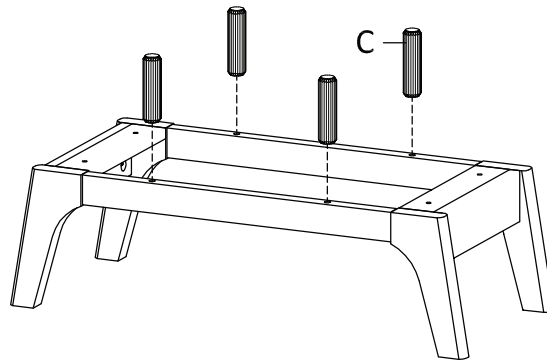
STEP 10:



	
Bx2	Ox1

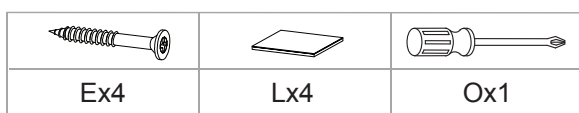
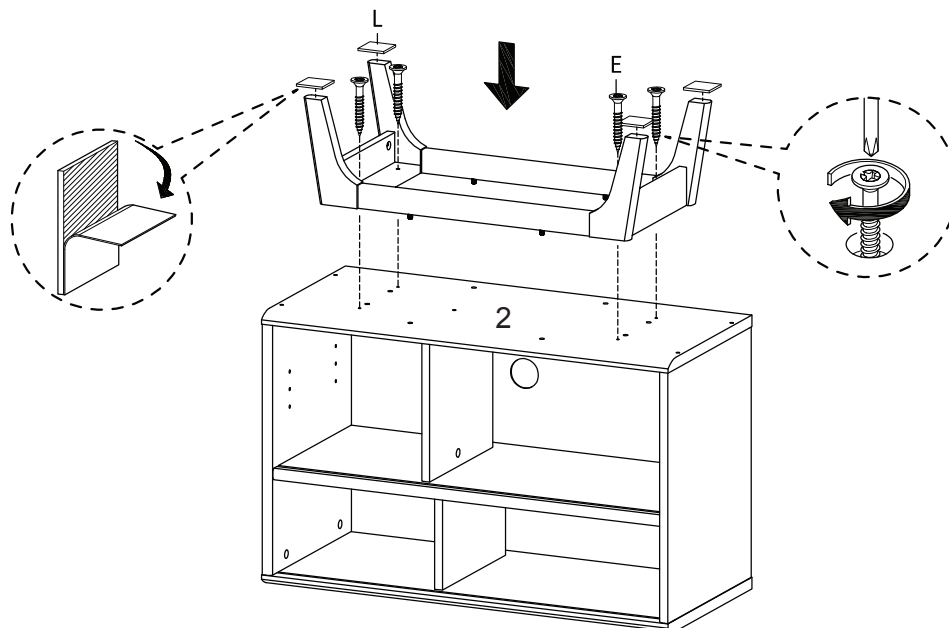
Hardware required. Screwdriver not included

STEP 11:



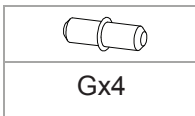
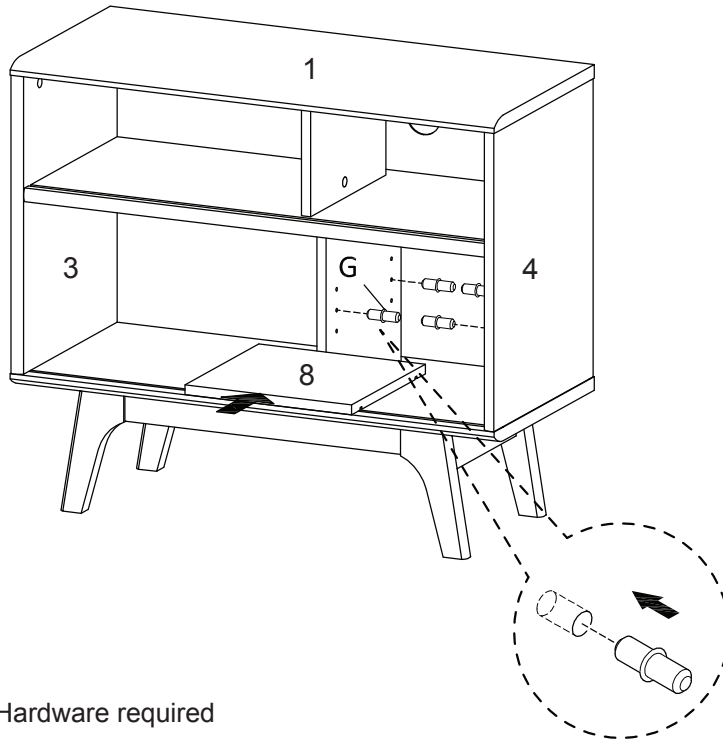
Hardware required

STEP 12:



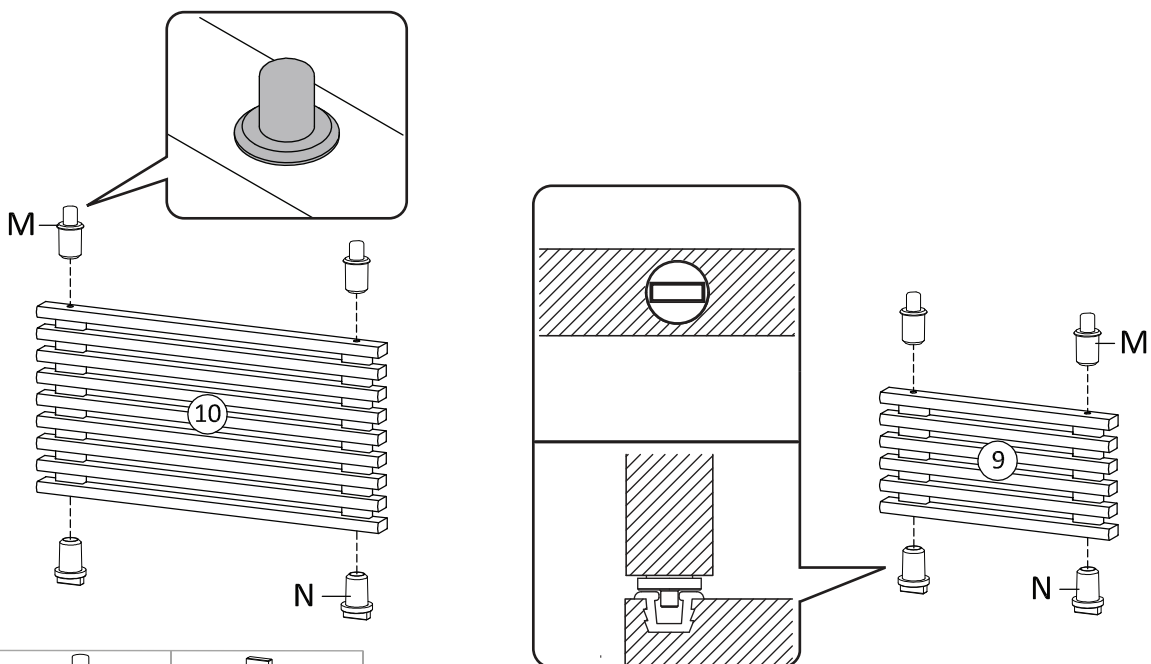
Hardware required. Screwdriver not included

STEP 13:



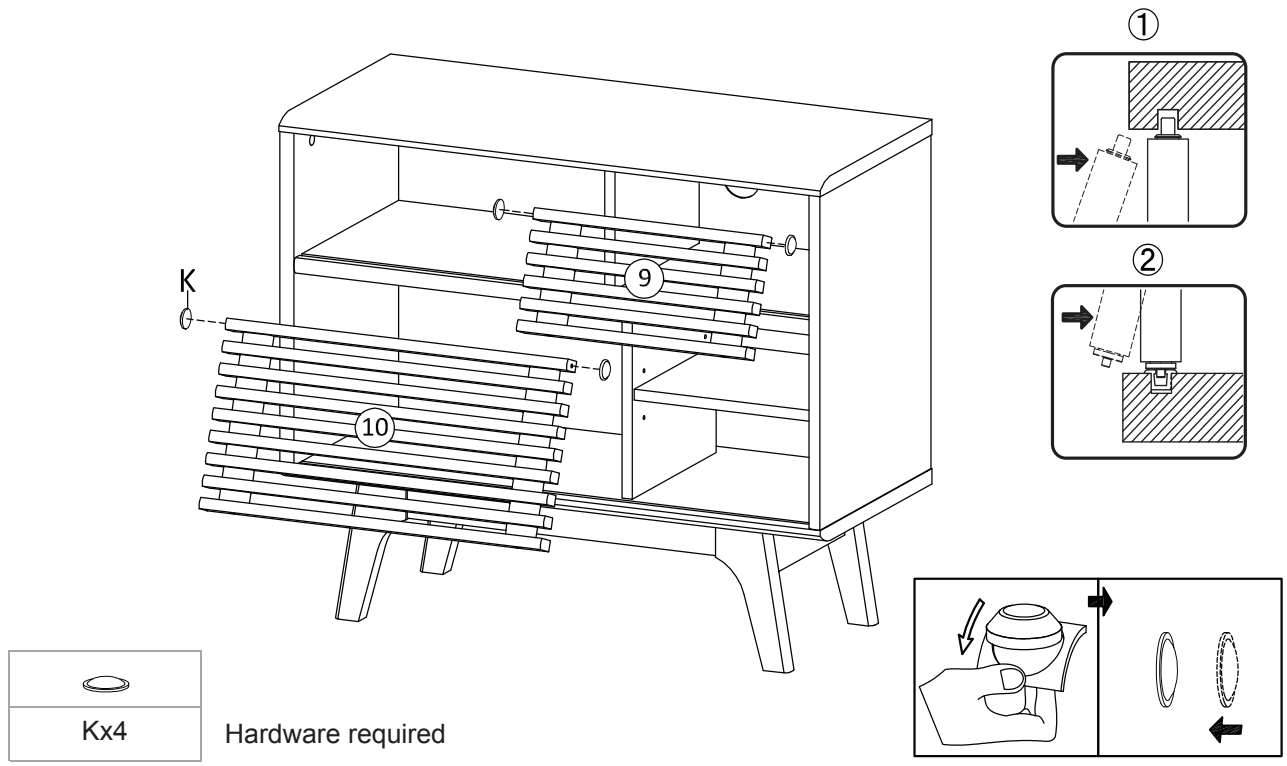
Hardware required

STEP 14:

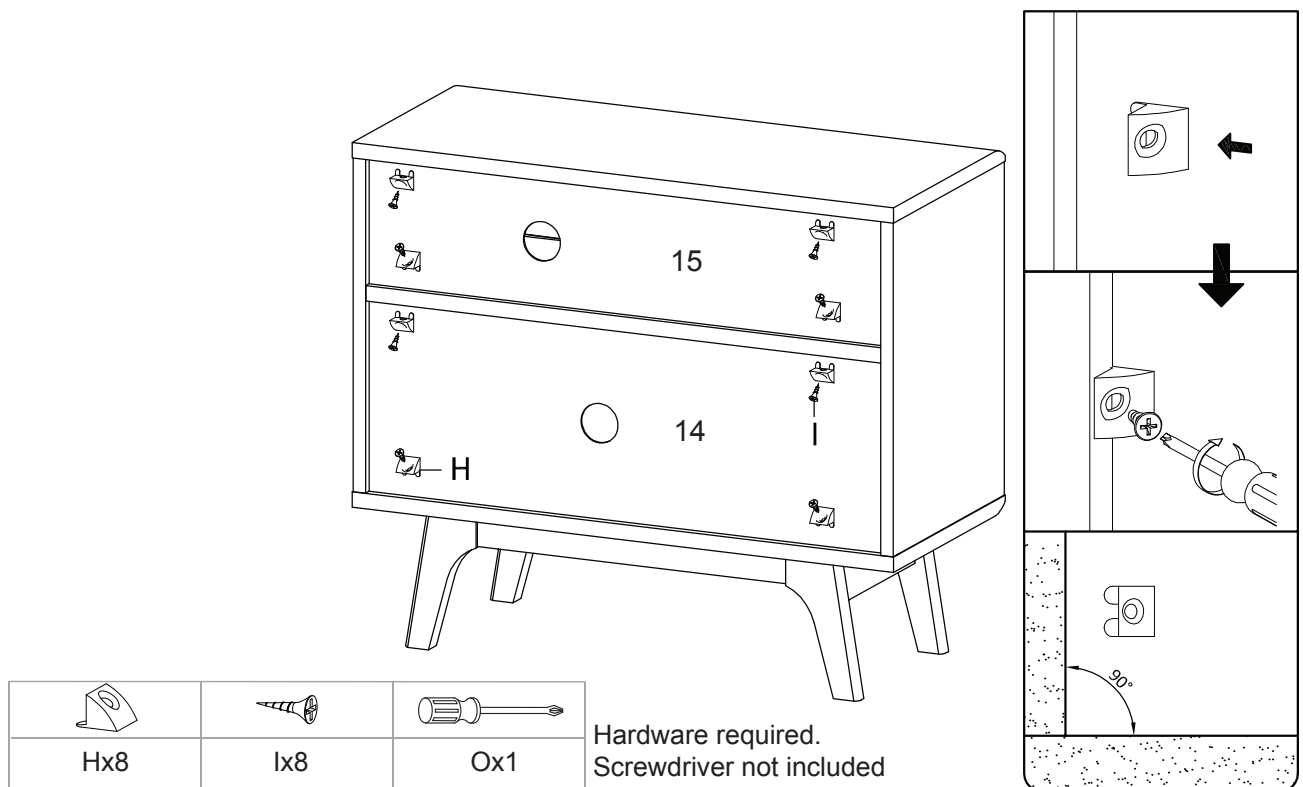


Hardware required

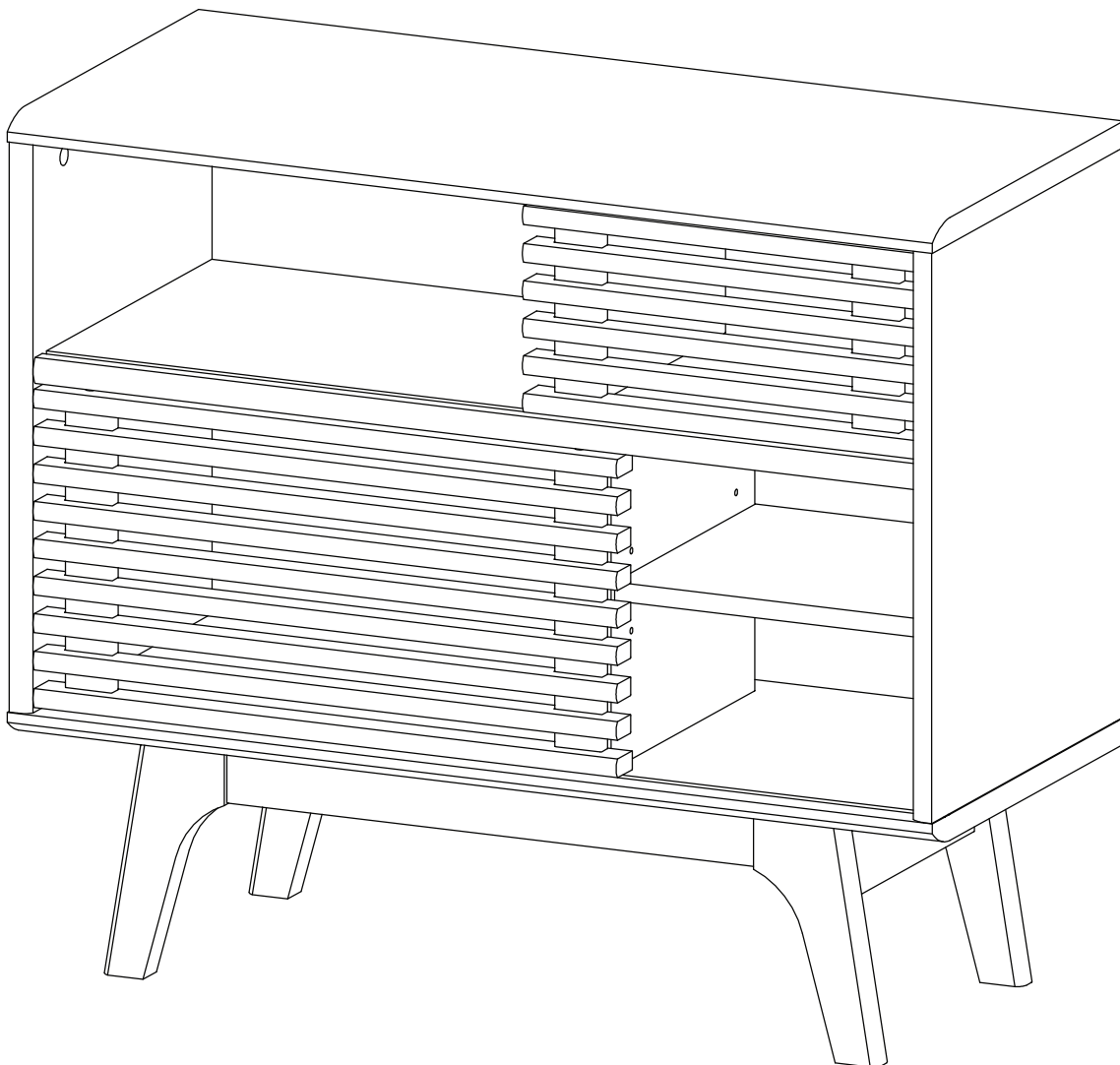
STEP 15:



STEP 16:



STEP 17:



Assembly is complete. CABINET is ready to enjoy now !