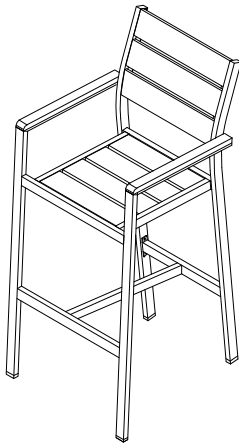


# EEI-2254 ARM BARSTOOL



Thank you for purchasing the **MODWAY BARSTOOL**!

Before you start, here is some helpful advice:

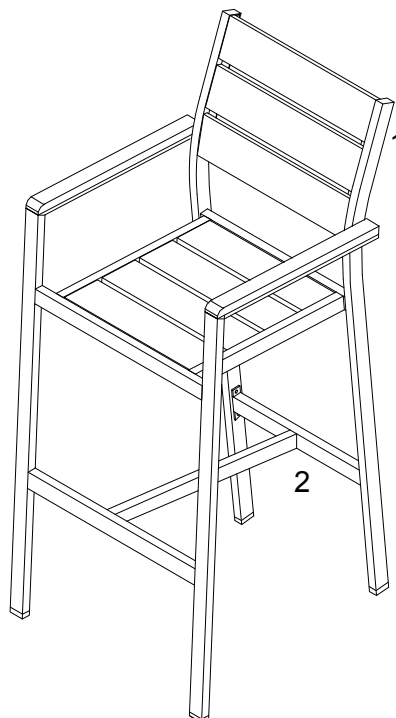
1. We suggest you spend a short time reading through this leaflet and then follow the simple step by step instructions.
2. Owing to the size and weight of the barstool, we recommend that it is assembled by two adults, on a carpeted or padded area, in the room that it is intended for. Approx assembly time: 30 minutes.
3. Please do not use any tools other than those provided or recommended in these instructions.
4. Please do not throw away any of the packaging or the instruction until you have checked all the components and hardware and the furniture is fully assembled. Please ensure that the packaging is disposed of in a safe environmentally friendly way.
5. Assemble all components loosely until advised to tighten. Depending on use, it may be necessary to tighten the components from time to time, so please save the tools that has been provided.
6. Please keep all fitting out of reach of children.



### Hardware:

- |   |  |                 |    |
|---|--|-----------------|----|
| A |    | Bolt M6x20mm    | x6 |
| B |  | Allen Wrench M4 | x1 |

### Component:



1 Barstool body x1

2 Bottom Stretcher x1

**EEI-2254 ARM BARSTOOL****STEP 1:**

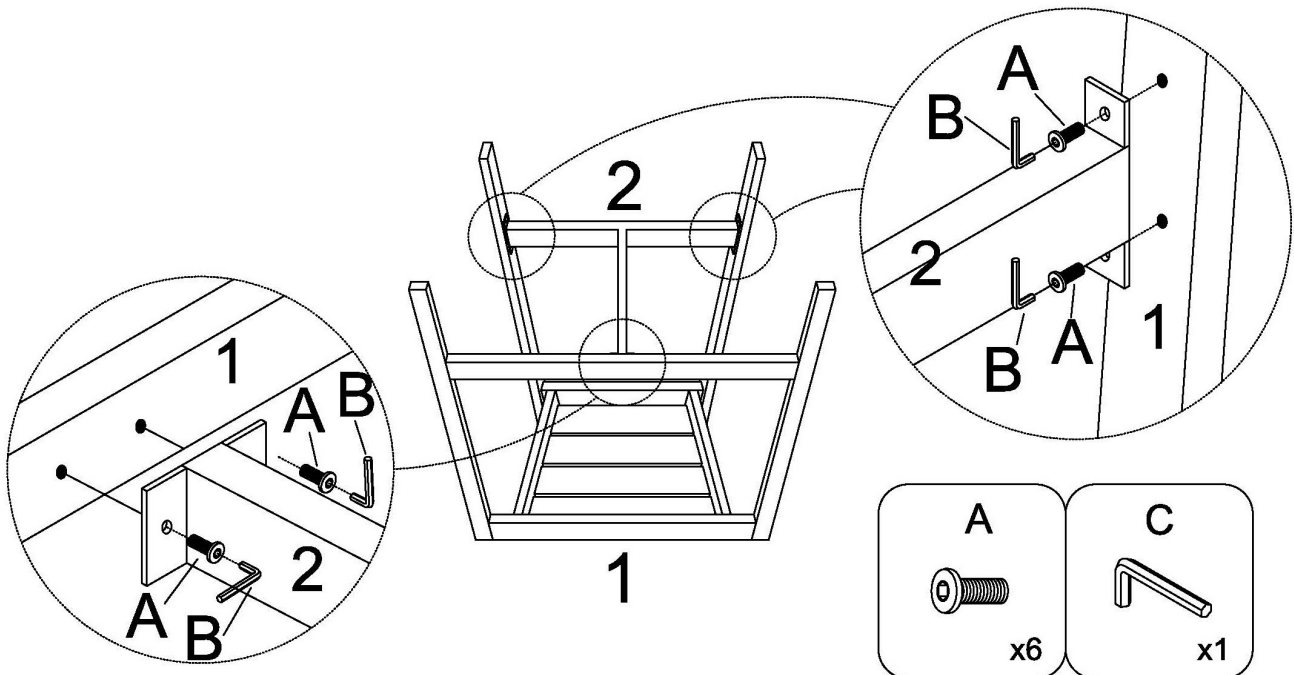
Please put the **Barstool Body (1)** on a carpeted or padded area.

Place **Bottom Stretcher (2)** to **Barstool Body (1)** as shown.

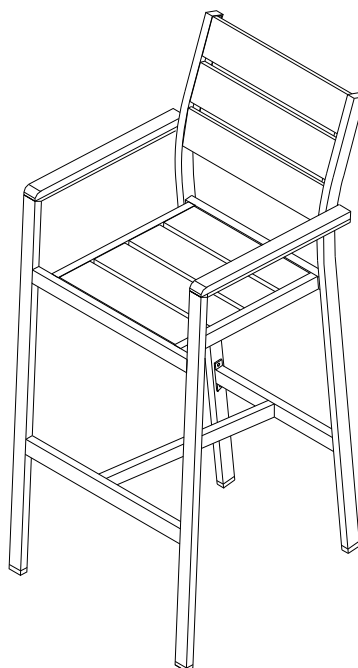
Insert 4 pieces of **Bolts (A)** from the pre-drilled holes at **Bottom Stretcher (2)** into the pre-drilled holes at leg posts on **Barstool Body (1)**.

Insert 2 pieces of **Bolts (A)** from the pre-drilled holes at **Bottom Stretcher (2)** into the pre-drilled holes at front stretcher on **Barstool Body (1)**.

Use **Allen Wrench (B)** to tighten all **Bolts (A)** clockwise until secure.

**Hardware & Tools Required****STEP 2:**

Carefully place the barstool at your desired position.



Assembly is completed. The barstool is ready to enjoy now!