

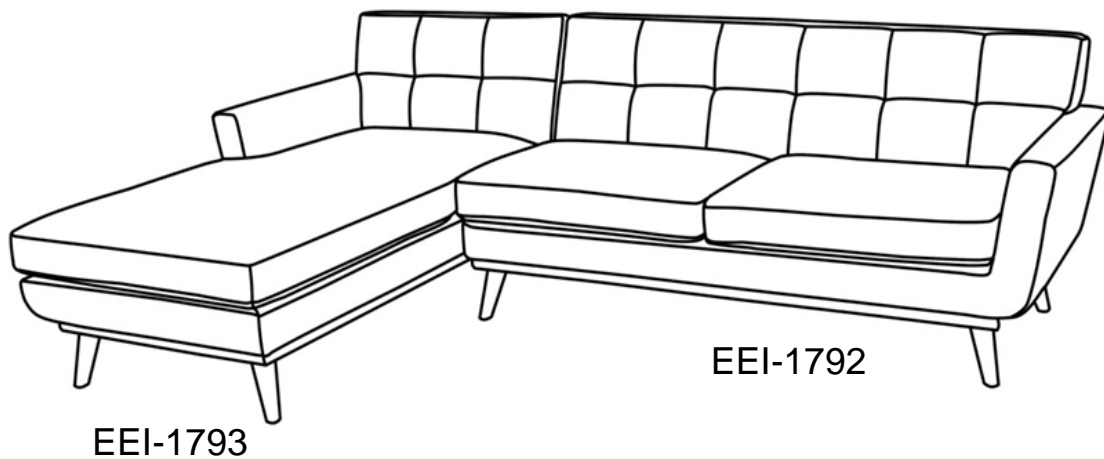
EEI-1792/1793 ARM SECTIONAL SOFA



Thank you for purchasing the **MODWAY ARM SECTIONAL SOFA!**

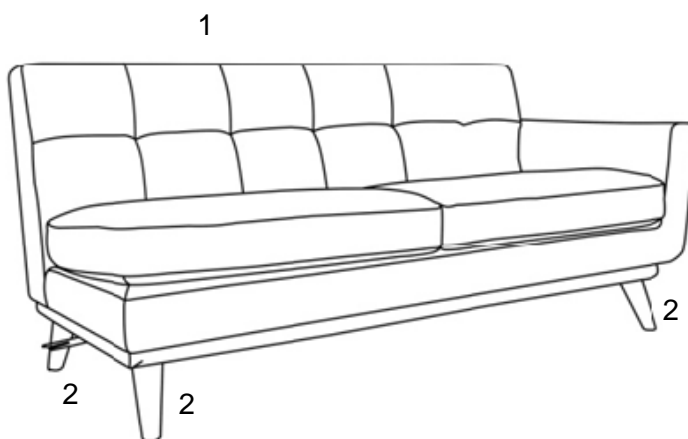
Before you start, here is some helpful advice:

1. We suggest you spend a short time reading through this leaflet and then follow the simple step by step instructions.
2. Owing to the size and weight of the arm sectional sofa, we recommend that it is assembled by two adults, on a carpeted or padded area, in the room that it is intended for. Approximate assembly time: 30 minutes.
3. Please do not use any tools other than those provided or recommended in these instructions.
4. Please do not throw away any of the packaging or instructions until you have checked all the components and hardware and the furniture is fully assembled.
5. Assemble all components loosely until advised to tighten. Depending on use, it may be necessary to tighten the components from time to time, so please save the tools that have been provided.
6. Please keep all pieces out of reach of small children.



Component:







EEI-1795 Left Loveseat Carton



1 Left Loveseat Body x1

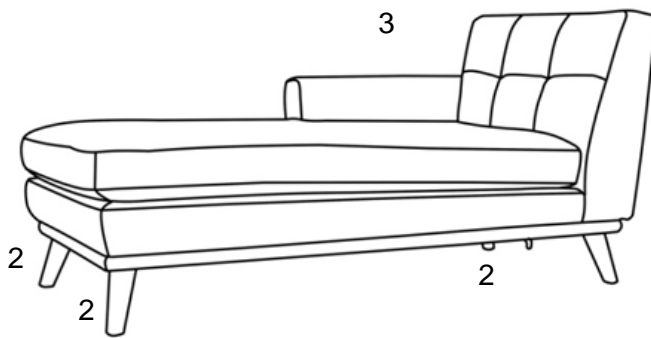
2 Leg x4

Hardware:

A		Bolt	x8
B		Spring Washer	x8
C		Flat Washer	x8
D		Allen Wrench	x1
E		Clip	x1
F		Screw	x4

EEl-1794 Chaise Carton

Hardware:

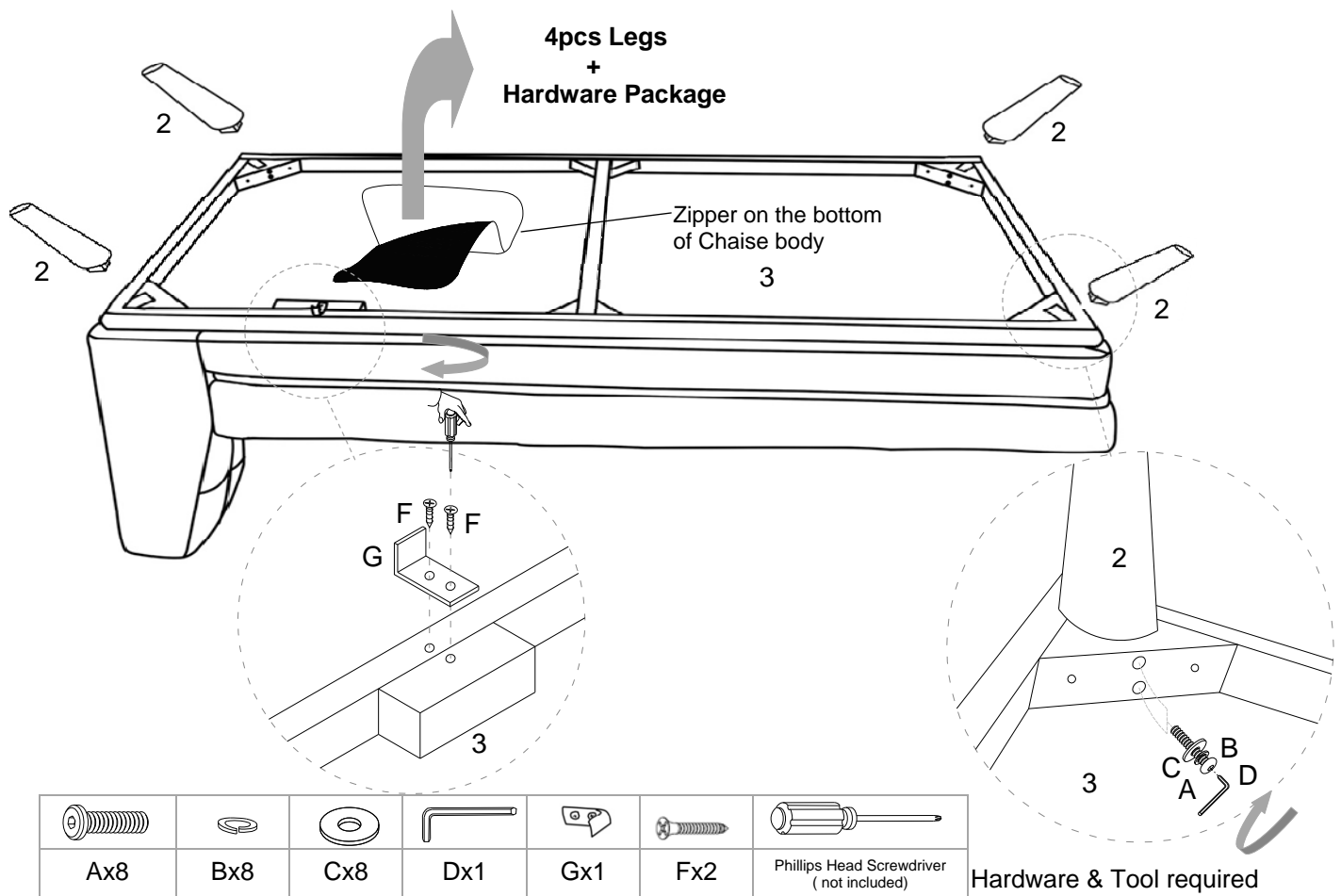


A		Bolt	x8
B		Spring Washer	x8
C		Flat Washer	x8
D		Allen Wrench	x1
G		Clip Post	x1
F		Screw	x2

3 Chaise Body x1 2 Leg x4

STEP 1:

Please put the **Chaise Body (3)** upside down on a carpeted or padded area by two adults to make fully visible the corners. Open the Zipper on the bottom of **Chaise Body (3)** as shown. Take out the 4pcs **Legs (2)** and hardware package on bottom of the **Chaise Body (3)**. Position one of **Legs (2)** at one of the four wooden corners. Insert 2 pieces of each **Spring Washer (B)**, **Flat Washer (C)** into 2 pieces of **Bolt (A)** as shown. Then insert assembled 2 pieces of **Bolts (A)** into the corner to connect the **Leg(2)**. Use **Allen Wrench (D)** to tighten all of **Bolts (A)**. Repeat the same steps for the remaining three **legs (2)**. Secure 1pc **Clip Post (G)** to the Bottom of **Chaise Body (3)** by using 2pcs **Screw (F)**. Tighten all **Screws (F)** with a Phillips Head Screwdriver (not included).

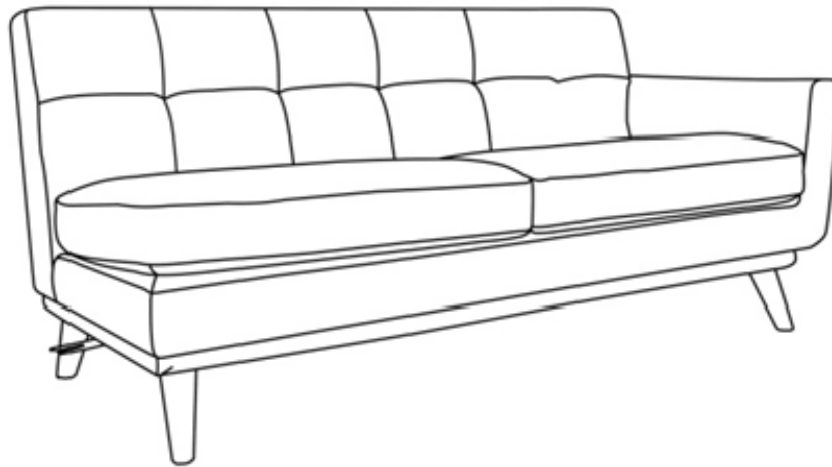


Ax8	Bx8	Cx8	Dx1	Gx1	Fx2	Phillips Head Screwdriver (not included)

Hardware & Tool required

STEP 4:

Carefully turn over the Left loveseat.

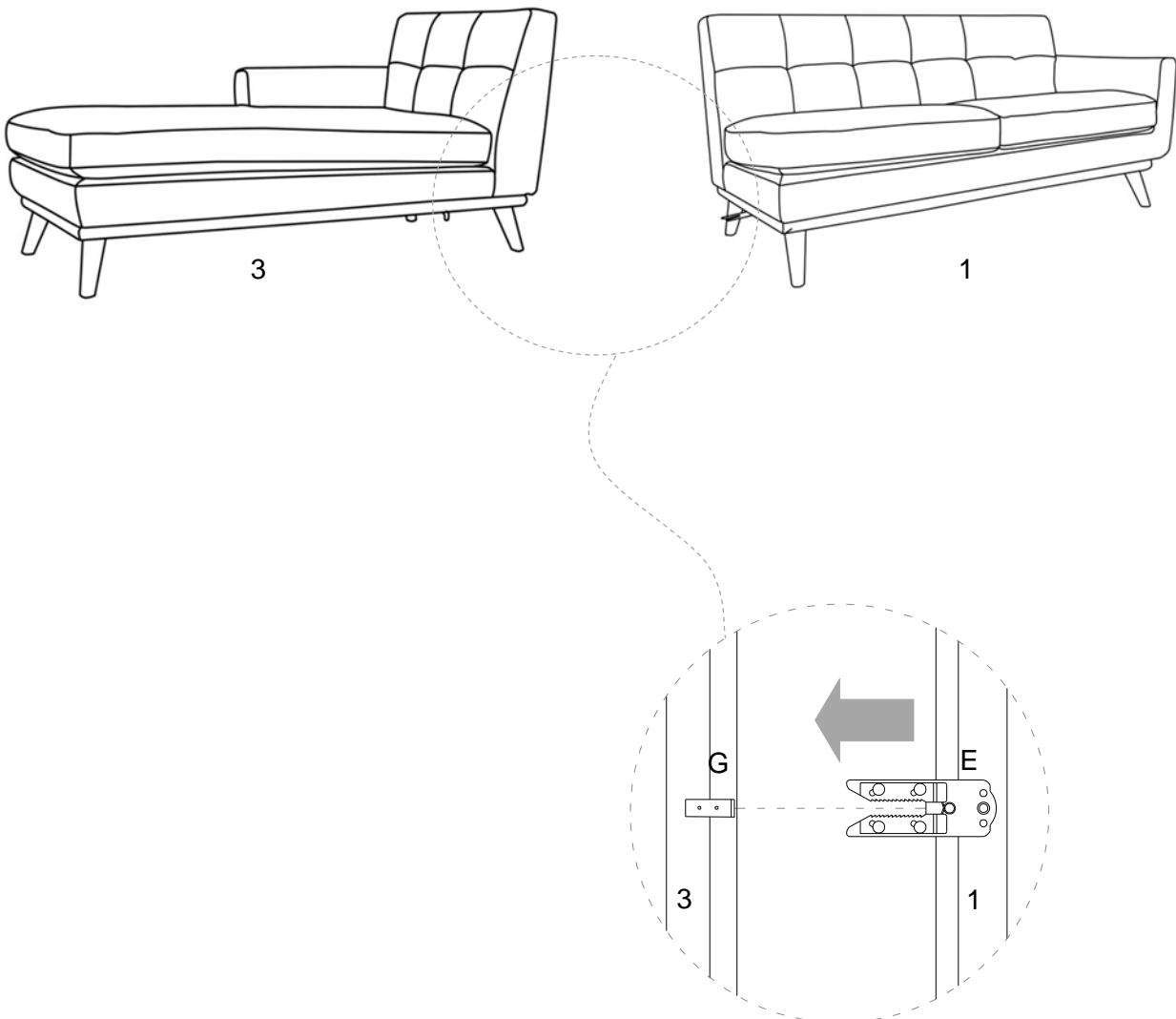


STEP 5:

Please place the **Chaise (2)** at your desired location.

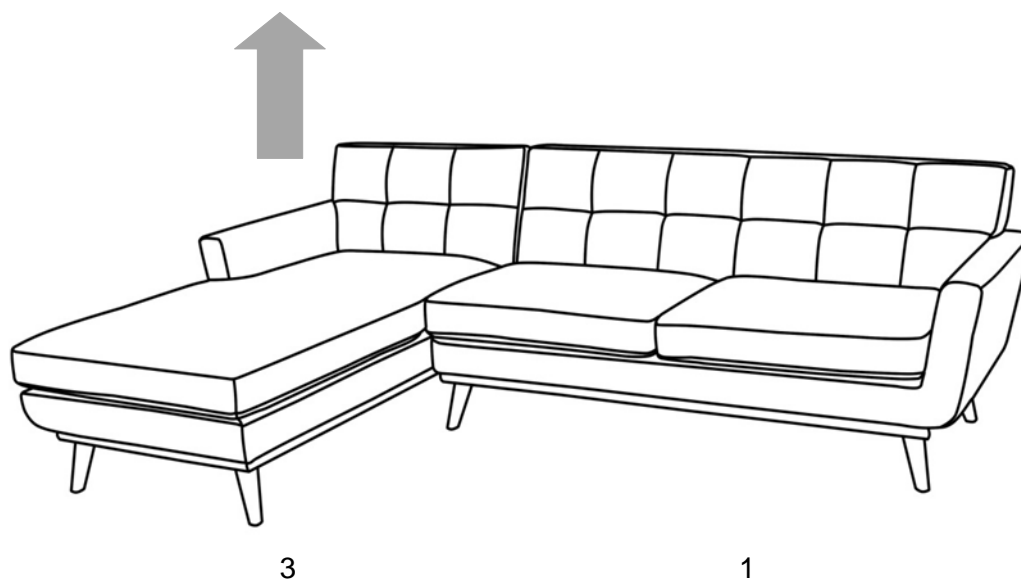
Align the **Clip (E)** on the bottom of **Left Loveseat (1)** to the **Clip Posts (G)** on the bottom of **Chaise (2)** as shown.

Push the **Left Loveseat (1)** close to the **Chaise (2)** slowly until the Clip and the Post click together tightly.



STEP 6:

If you want to unlock the sofa. Please lift up the **Chaise (3)** by two people.



Assembly is completed. The arm sectional sofa is ready to enjoy now!