

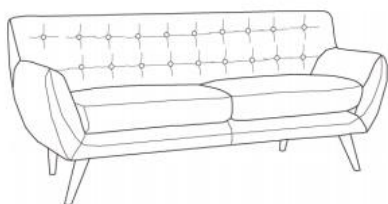
# EEI-1631/1632/1633 CHAIR/LOVESEAT/SOFA



Thank you for purchasing the **MODWAY CHAIR/LOVESEAT/SOFA!**

Before you start, here are some helpful advice:

1. We suggest you spend a short time reading through this leaflet and then follow the simple step-by step instructions.
2. Owing to the size and weight of the sofa, we recommend that it is assembled by two adults on a carpeted or padded area, in the room that it is intended for. Approximate time: 30 minutes.
3. Please do not use any tools other than those provided or recommended in these instructions.
4. Please do not throw away any of the packaging or instructions until you have checked all the components and hardware and the furniture is fully assembled.
5. Assemble all components loosely until advised to tighten. Depending on use, it may be necessary to tighten the component from time to time, so please save the tools that have been provided.
6. Please keep all pieces out of reach of children.




EEI-1632/1633 Loveseat/Sofa



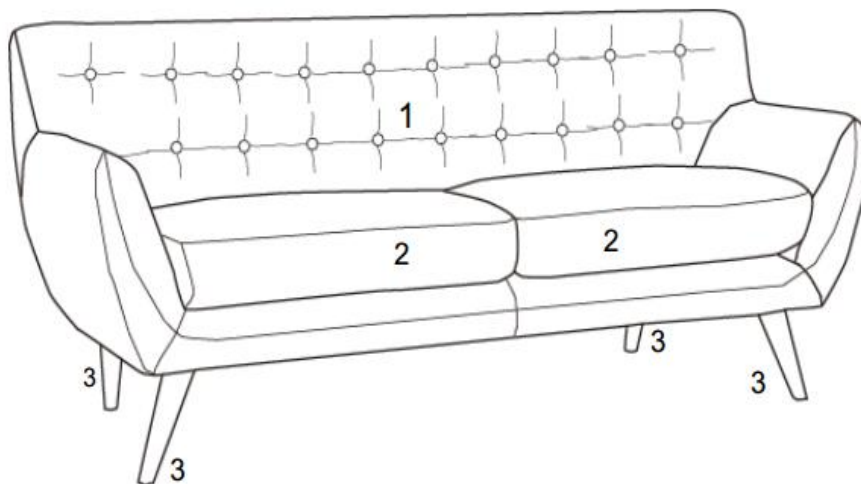
EEI-1631 Chair

## Hardware:

A  Bolt (M6\*H10mm)x16

B  Allen Wrench x1

## Components:



1. Chair/Loveseat/Chair Body X1
2. Seat Cushion x2 (2pcs for Sofa/Loveseat, 1pc for Chair only)
3. Leg x4

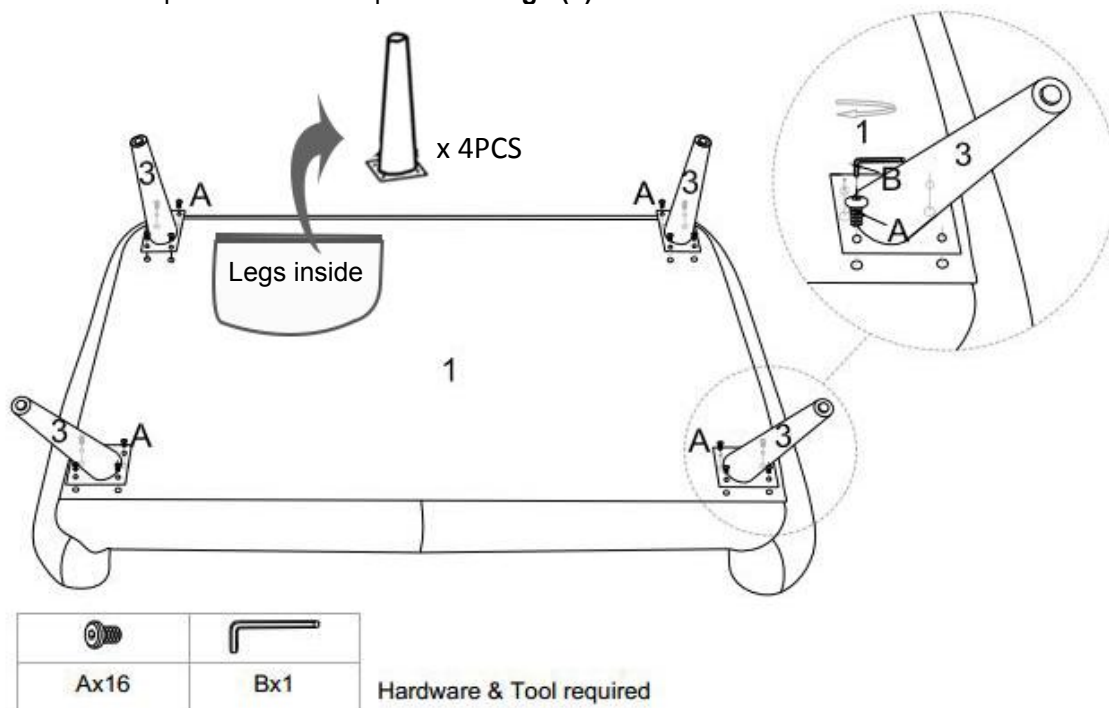
# EEI-1631/1632/1633 CHAIR/LOVESEAT/SOFA



## STEP 1:

Please put the **Sofa Body (1)** without **Seat Cushion (2)** upside down on a carpeted or padded area by two adults to make the round metal plate on each corner and middle fully visible. Open the Zipper on the bottom of **Sofa Body (1)** as shown, take out the packages of 4 pieces of **Legs (3)**, then close the Zipper on the bottom of **Sofa Body (1)**.

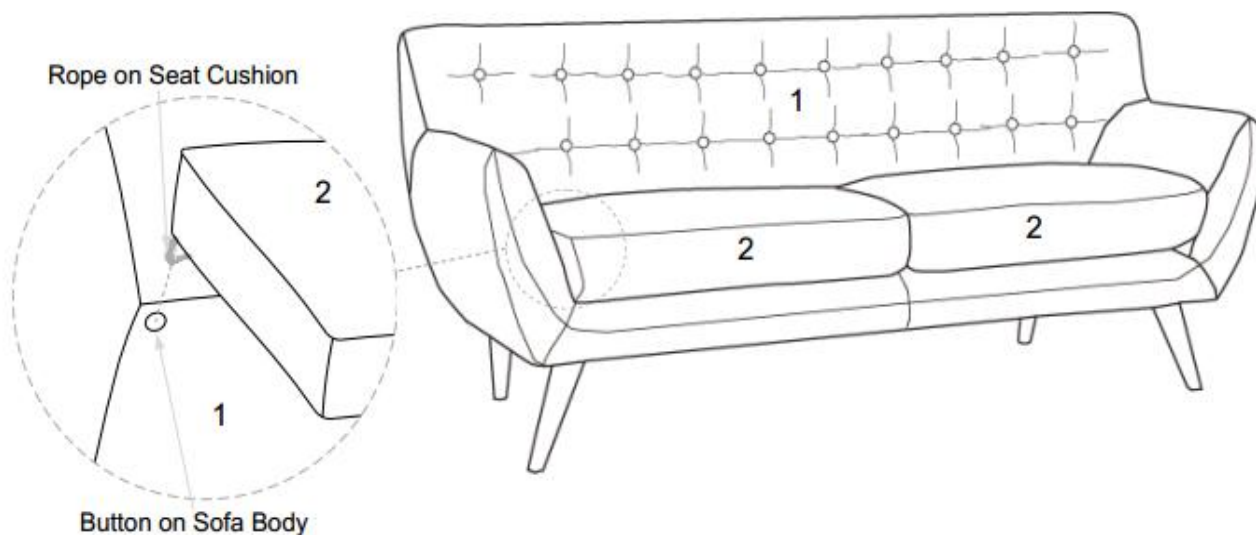
Attach 1 piece of **Leg (3)** into the bottom of **Sofa Body (1)** by using 4 pieces of **Bolts (A)** through the holes on the bottom of **Sofa Body (1)**, Use **Allen Wrench (B)** to tighten the **Bolts (A)** clockwise until secure. Repeat the same steps for the other 3 pieces of **Legs (3)**.



## STEP 2:

Carefully turn over the **Sofa Body (1)**, put the **Seat Cushions (2)** on the **Sofa Body (1)** as shown.

**Note:** Use the Rope at the corner of **Seat Cushions (2)** to fasten the Button at the corner of **Sofa Body (1)**.



Assembly is complete. The Sofa is ready to enjoy now!