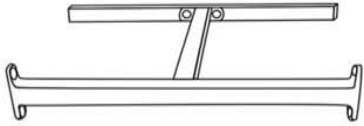


# ASSEMBLY INSTRUCTION

SKU: EEI-1510-BRN-GRY, EEI-1510-WHI-LGR

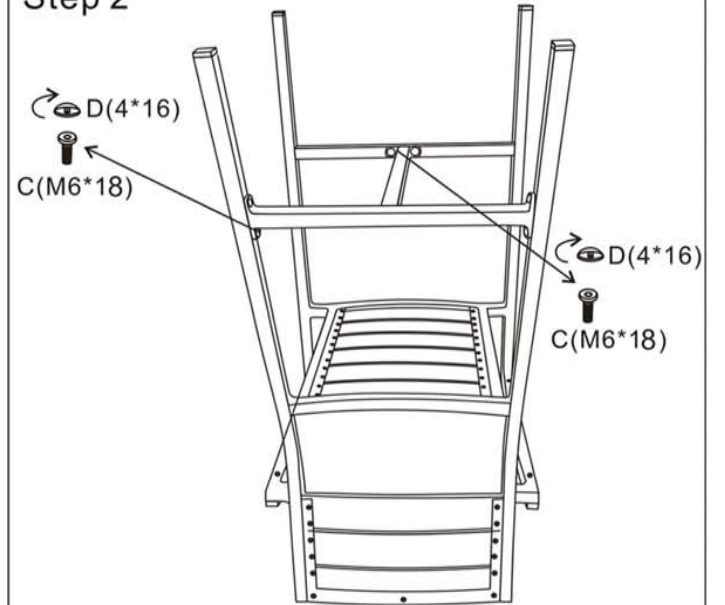
A\*1



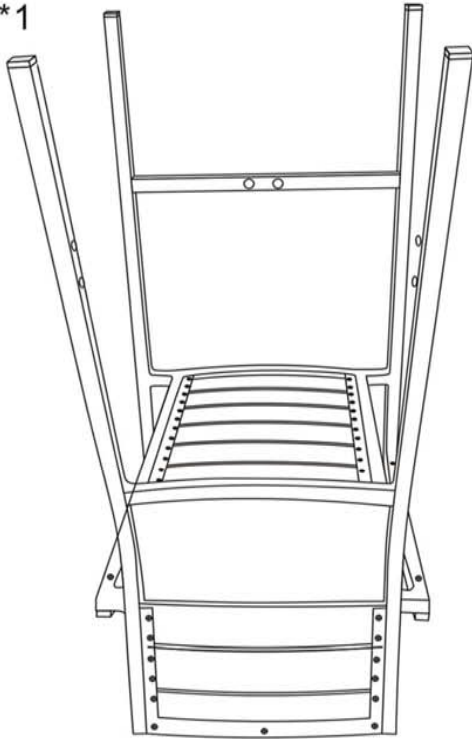
Step 1



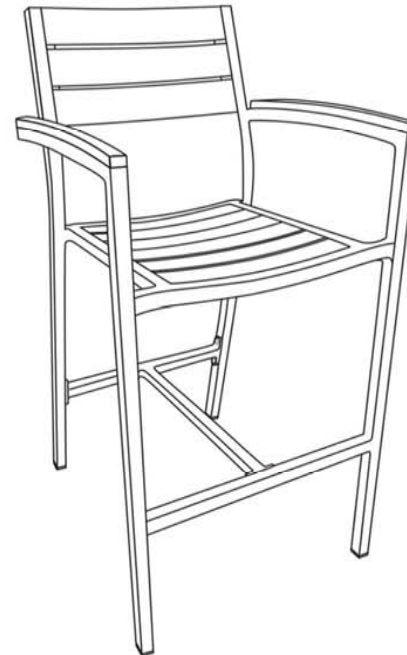
Step 2



B\*1



Step 3



C\*6(M6\*18) D\*6(4\*16) E\*1

