

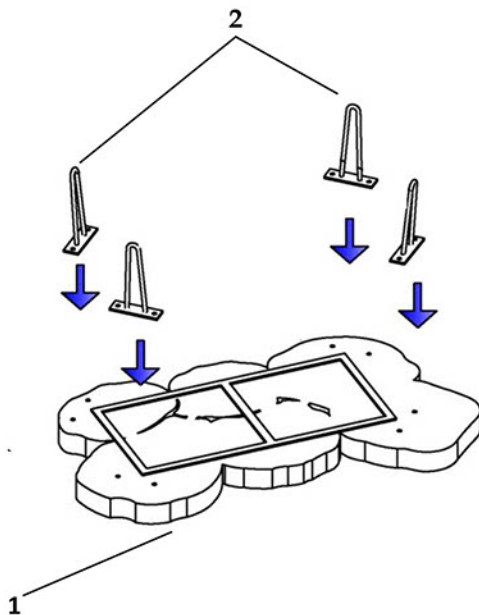
JOSS RECTANGULAR COFFEE TABLE

Assembly Instruction

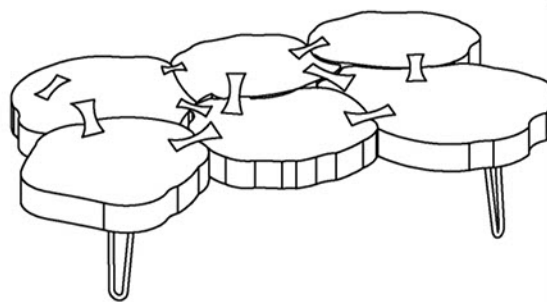
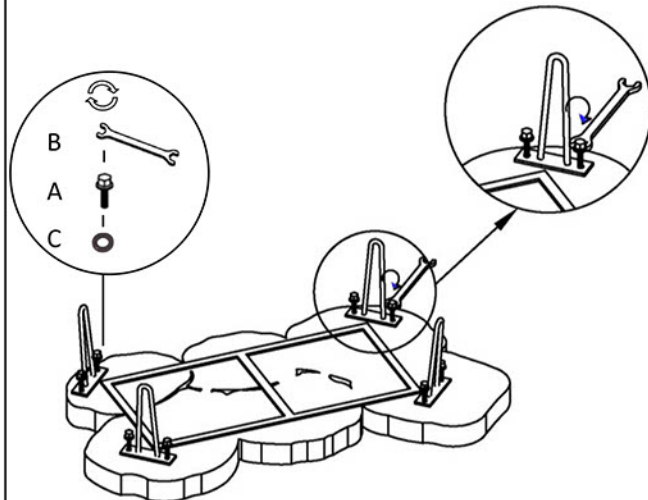
ITEM # Goa - 2900

- Do not throw away packaging materials until assembly is complete.
- Assemble this item on a soft surface, such as cardboard or carpet, to protect finish.
- Proper assembly of this item requires 2 people & would require approx. 20 minutes to assemble.
- Do not fully tighten the bolts and screws until the entire product is completely assembled.

STEP# 1: Put the Legs(2) to Wooden Top(1).






STEP#2: Tighten the bolts to lock the legs as shown Below.



FINAL ASSEMBLED PICTURE

JOSS RECTANGULAR COFFEE TABLE

Assembly Instruction

Hardware Pack # Goa 2900			
A		25 MM	8 PCS.
B		12x13 MM	1 PC.
C		8X25 MM	8 PCS.

CARE INSTRUCTIONS:-

- Wipe with a soft, dry cloth. To protect finish, avoid the use of chemicals and household cleaners.
- Any liquid spilled onto the table should be cleaned up immediately with a damp cloth.