



ASSEMBLY INSTRUCTION

MOZART

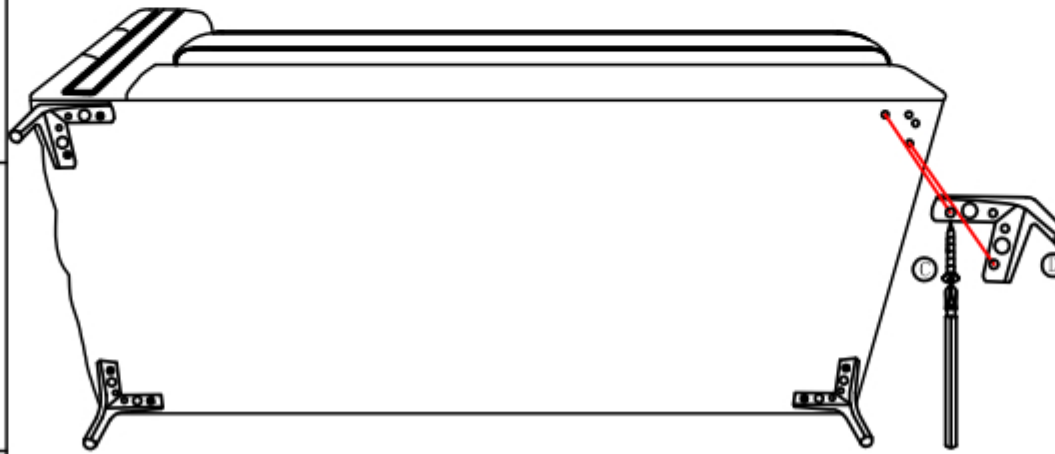
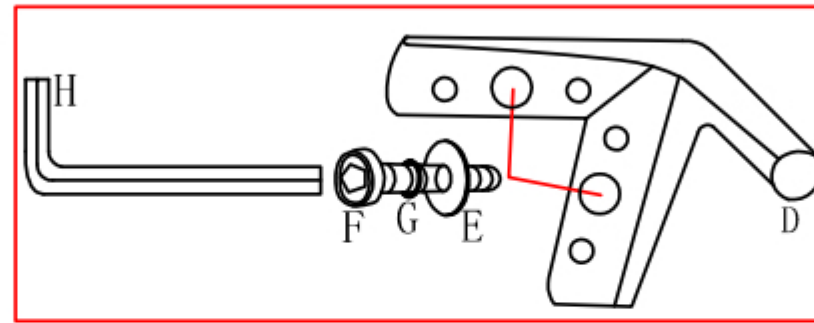
Parts

No.	Picture	Description	Size	Qty
A		Sofa	L169*W87*H76	1PCS
B		Sofa	L202*W87*H76	1PCS

Hardware

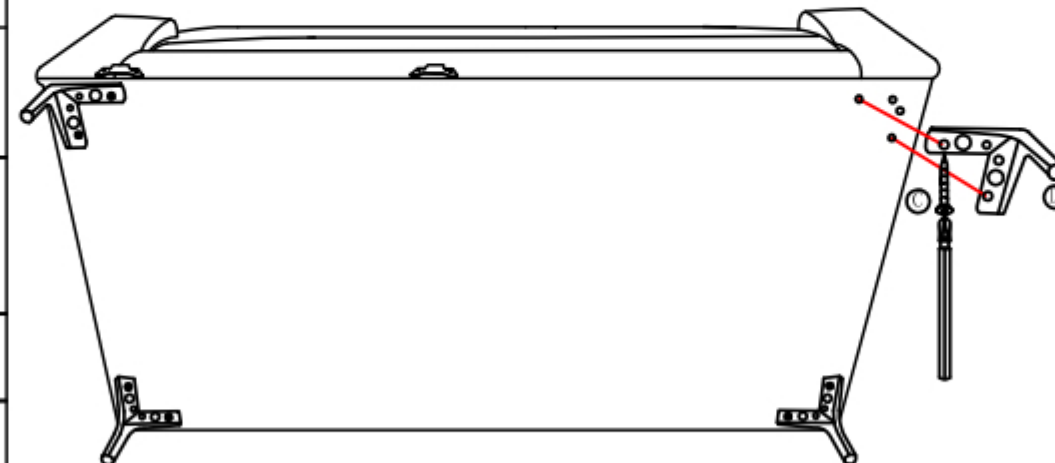
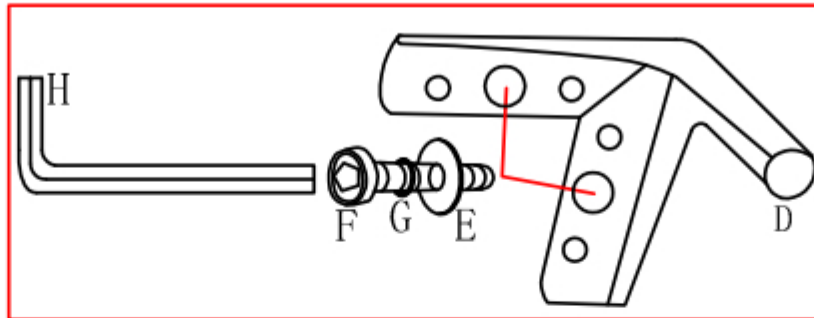
No.	Picture	Description	Size	Qty
C		Screw	5*30MM	32PCS
D		Leg	L140*W30*H150MM	8PCS
E		Washer	Ø6*16MM	16PCS
F		Bolt	¼"*L30MM	16PCS
G		Spring washer	Ø10*Ø6.5*T1MM	16PCS
H		Allen key	5/16"*L57MM	1PCS

Step:1



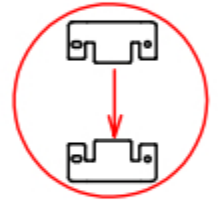
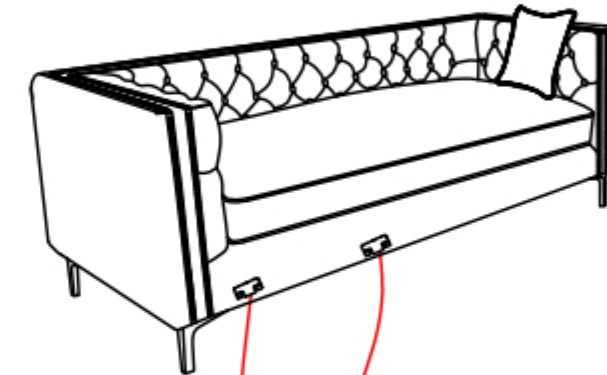
Note: Take out the legs and screws from the small box and screw the legs at the proper position of the bottom

Step:2

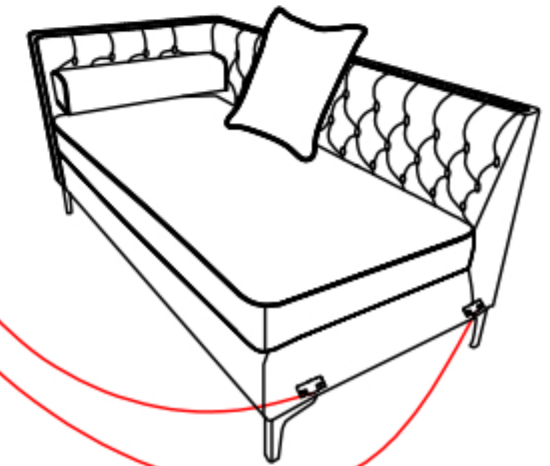


Note: Take out the legs and screws from the small box and screw the legs at the proper position of the bottom

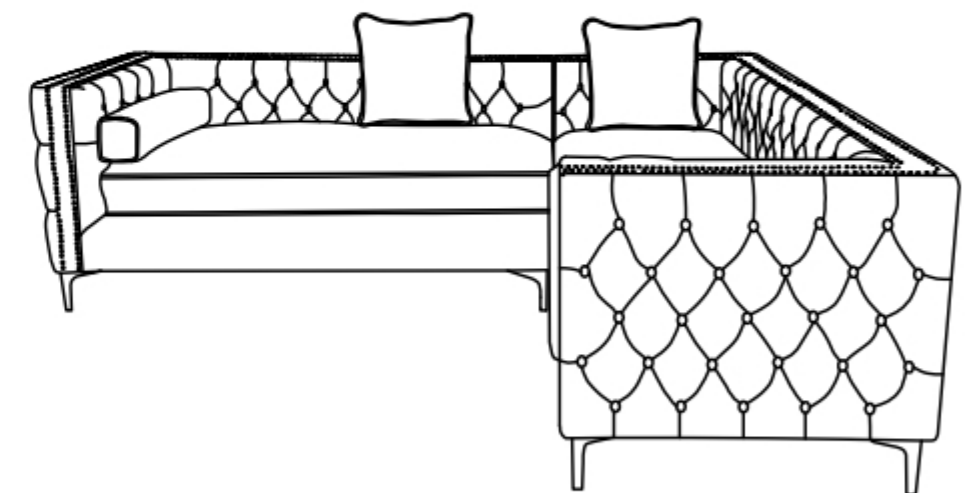
Step:3



Note: Pls insert according to the arrow direction



Step:4



Finish