

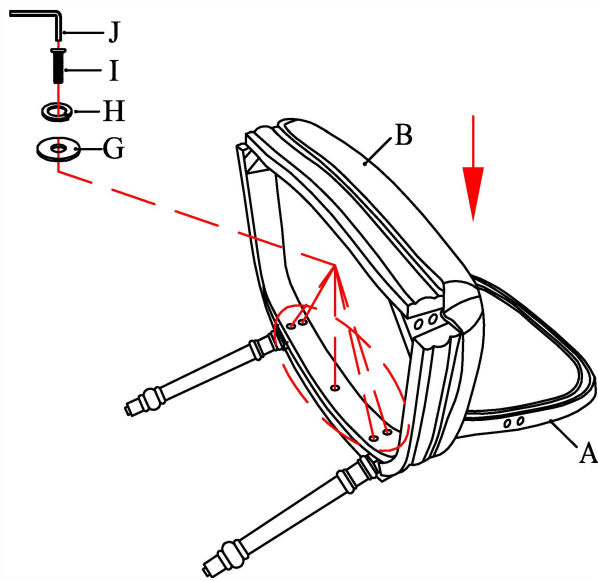
# Assembly Instructions

ITEM NO.:96534

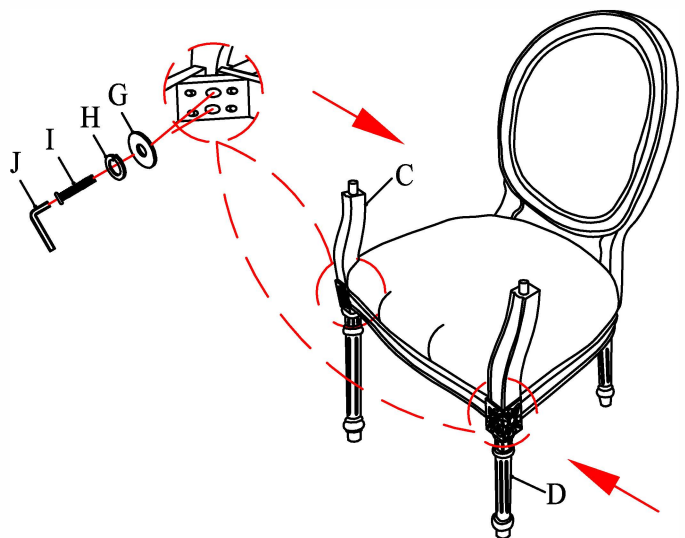
Thank you for purchasing this quality product. Be sure to check all packing material carefully for small parts that may have come loose inside the carton during shipment. (Note: Loosely thread all screws/bolts first. Once the item is assembled then completely tighten.)

TOOLS REQUIRED				HARDWARE LIST:				
PARTS LIST:				No.	Sketch	Description	Size	Quantity
No.	Description	Sketch	Quantity	G		Flat Washer	Ø5/16"x7/8"	9
A	Chair Back		1	H		Lock Washer	Ø5/16"	9
				I		Bolt	Ø5/16"x2"	9
B	Seat		1	J		Allen Wrench	Ø5mm	1
				K		Lock Washer	Ø1/4"	2
C	Left Leg		1	L		Bolt	Ø1/4"x 1-1/2"	2
D	Right Leg		1	M		Allen Wrench	Ø4mm	1
E	Left Armrest		1	N		Wooden Plug	Ø14 x 9mm	2
F	Right Armrest		1	O		Screw	Ø8 x 1-1/2"	2

## STEP 1



## STEP 2



## STEP 3

