
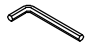







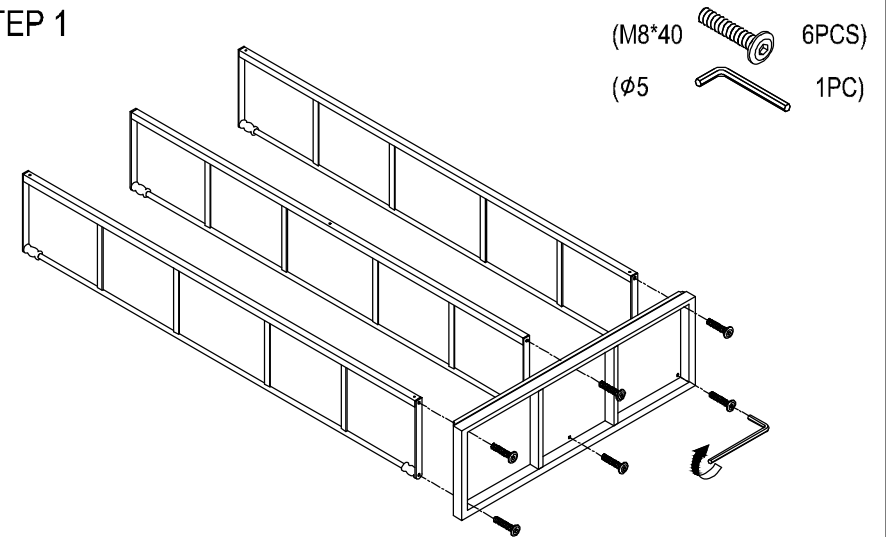


Assembly Instruction

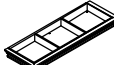



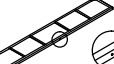


HARDWARE LIST:

PACKAGE	DESCRIPTION	PART PHOTO	QTY	PACKAGE	DESCRIPTION	PART PHOTO	QTY
1/1	SCREW (M6*16)		5PCS	1/1	ALLEN KEY (Ø5)		1PC
	SCREW (M8*40)		12PCS				
	TAPPING SCREWS M4*16		2PCS				
	METAL PART (13*13*13)		4PCS				
	EXPANSION RUBBER PLUG Ø6*30		2PCS				
	TAPPING SCREWS M4*40		2PCS				
	WALL FIXING		2PCS				
	ALLEN KEY (Ø4)		1PC				

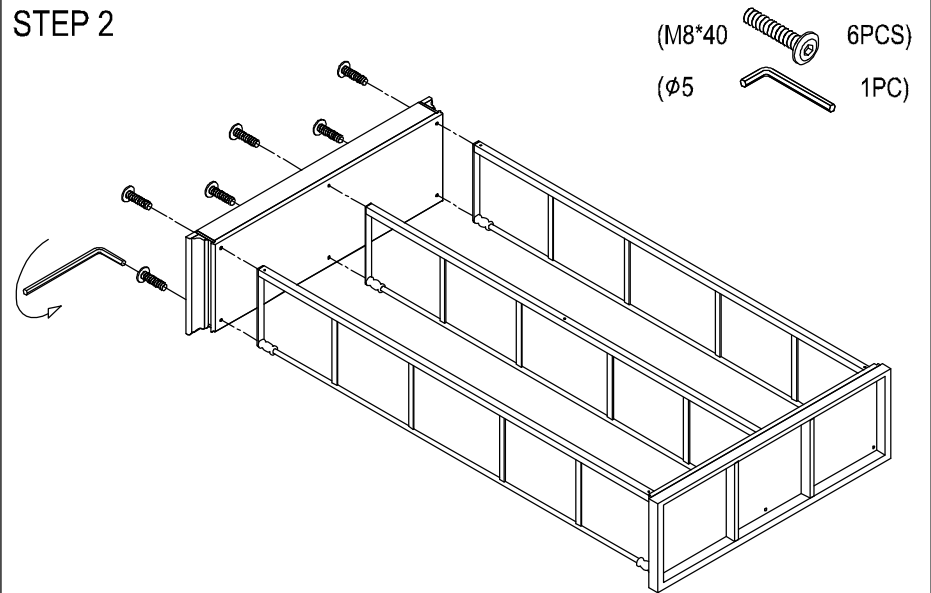
STEP 1



PART LIST :

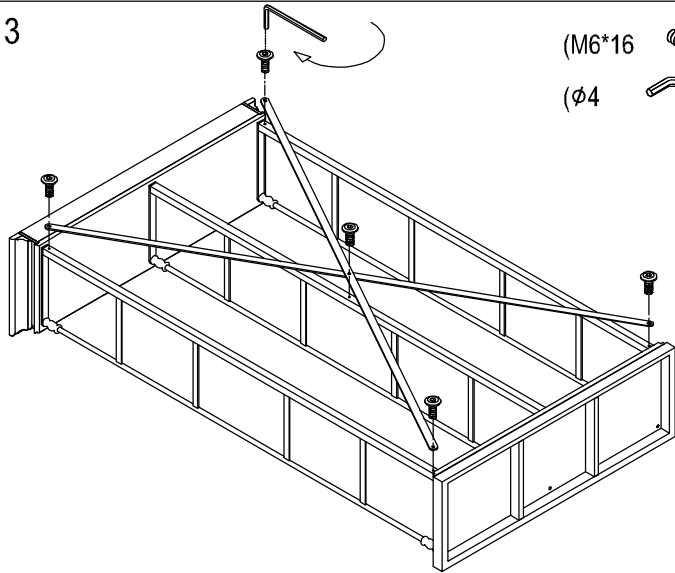
PACKAGE	DESCRIPTION	PART PHOTO	QTY	PACKAGE	DESCRIPTION	PART PHOTO	QTY
1/1	TOP BOARD		1PC				
	BOTTOM BOARD		1PC				
	ADJUST SHELF		4PCS				
	SIDE FRAME		2PCS				
	MIDDLE SIDE FRAME		1PCS				
	CONNECTING BAR		2PCS				
	HARDWARE		1PC				

STEP 2



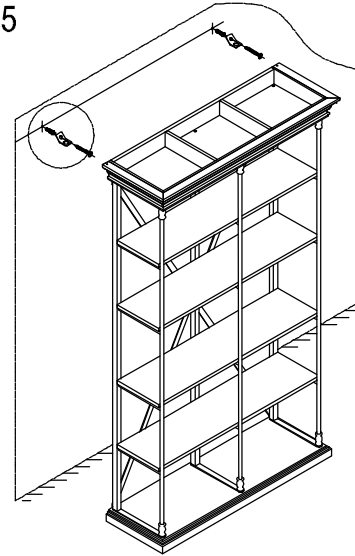
Assembly Instruction




STEP 3

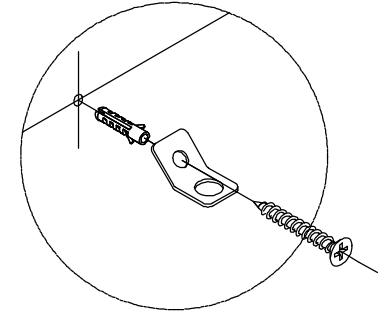


(M6*16)  5PCS
(φ4)  1PC

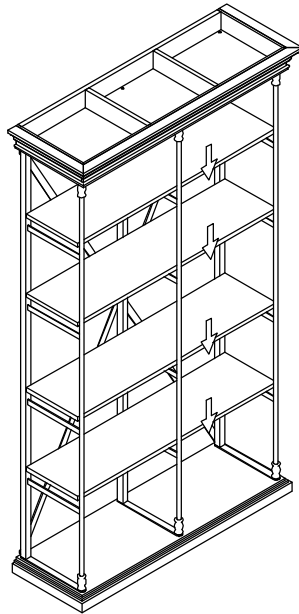
STEP 5



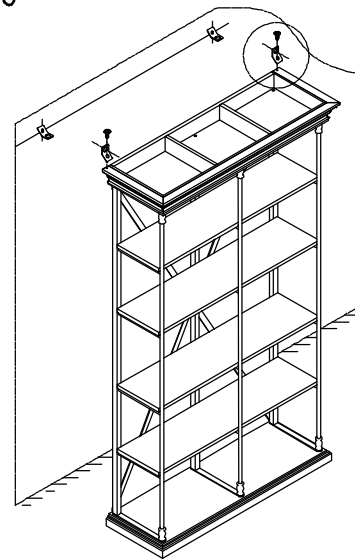
(φ6*30)  2PCS
(13*13*13)  2PCS
(M4*40)  2PCS



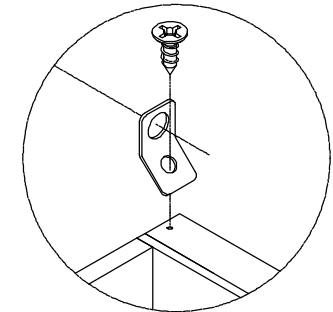
STEP 4



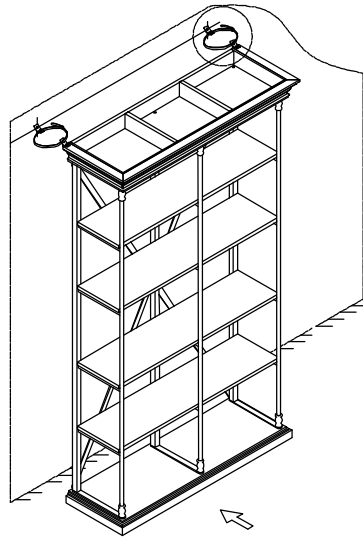
STEP 6



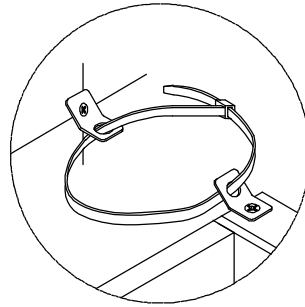
(Ø4*16)  2PCS



STEP 7



( 2PCS)



FINISH

