








Assembly Instruction

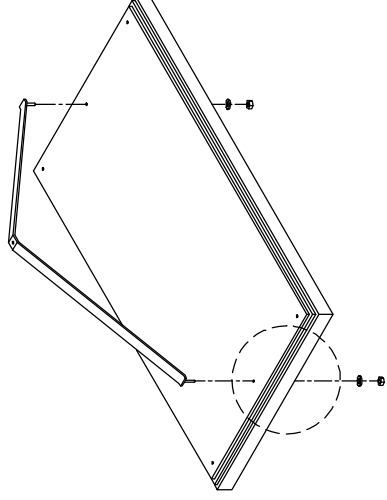
MODEL: 61621

EDITION: A

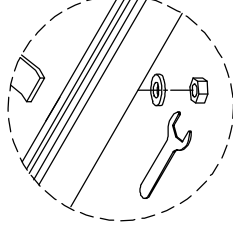
HARDWARE LIST:

PACKAGE	DESCRIPTION	PART PHOTO	QTY	PACKAGE	DESCRIPTION	PART PHOTO	QTY
1/1	SCREW (M6*16)		7PCS				
	SCREW (M8*30)		4PCS				
	WASHER $\phi(20-8) * 2.0$		2PCS				
	NUT (M8)		2PCS				
	ALLEN KEY ($\phi 5$)		1PC				
	ALLEN KEY ($\phi 4$)		1PC				
	WRENCH (M8)		1PC				



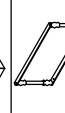


STEP 1



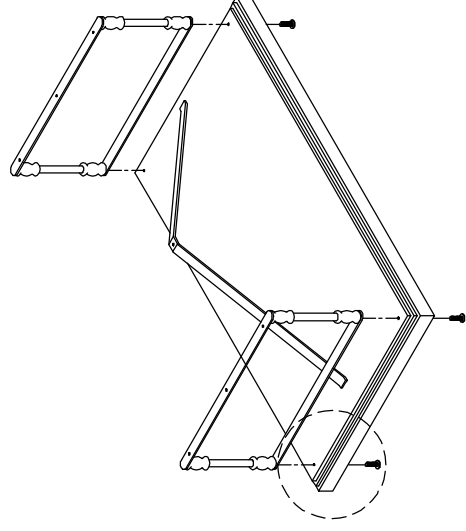
($\phi 20-\phi 8 * 2.0$) 2PCS
 (M8) 2PCS
 (M8) 1PC



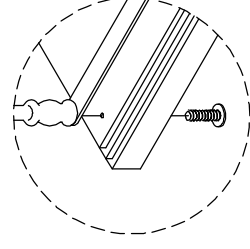
PART LIST :

PACKAGE	DESCRIPTION	PART PHOTO	QTY	PACKAGE	DESCRIPTION	PART PHOTO	QTY
1/1	TOP BOARD		1PC				
	BOTTOM BOARD		1PC				
	SIDE FRAME		2PCS				
	CROSS BAR		1PC				
	HARDWARE		1PC				

STEP 2



(M8*30) 4PCS
 ($\phi 5$) 1PC

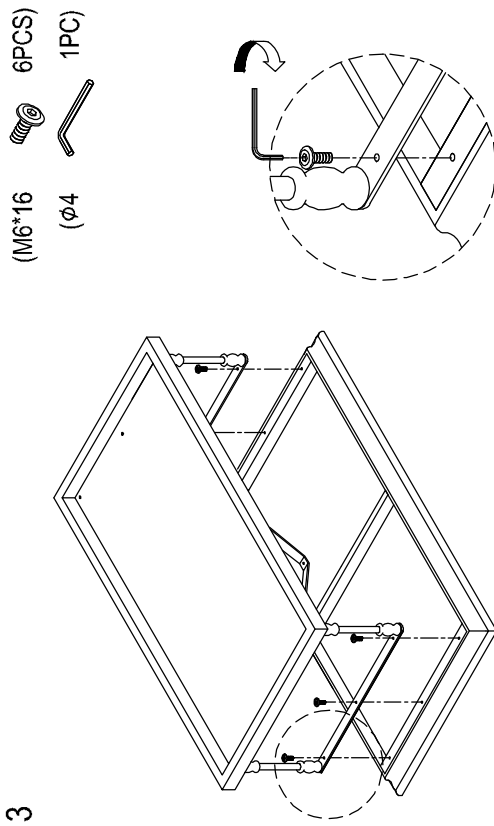


Assembly Instruction

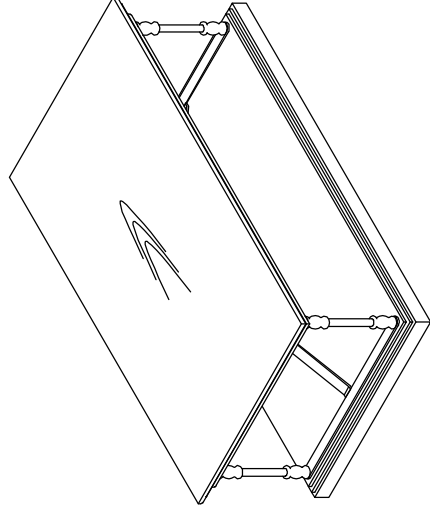
MODEL: 61621

EDITION: A

STEP 3



FINISH



STEP 4

