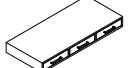


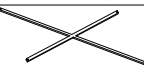



ASSEMBLY INSTRUCTIONS







ITEM NO.:55641

Thank you for purchasing this quality product. Be sure to check all packing material carefully for small parts that may have come loose inside the carton during shipment. (Note: Loosely thread all screws/bolts first. Once the item is assembled then completely tighten.)

PARTS LIST:

NO.	Description	Sketch	Quantity
A	Top		1
B	Right Leg		1
C	Left Leg		1
D	Bese-Metal		1
E	Bese-Metal		2

HARDWARE LIST:

NO.	Sketch	Description	Size	Quantity
F		Blots	Ø1/4"*1-3/8"L	6
G		Flast washer	Ø1/4"	18
H		Look washer	Ø1/4"*3/4"	18
K		Allen wrench	M4*65L	1
L		Blots	Ø1/4"*1/2"L	8
N		Blots	Ø1/4"*1"L	4

