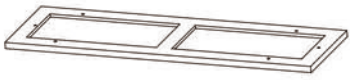

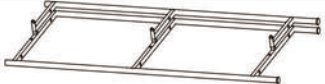



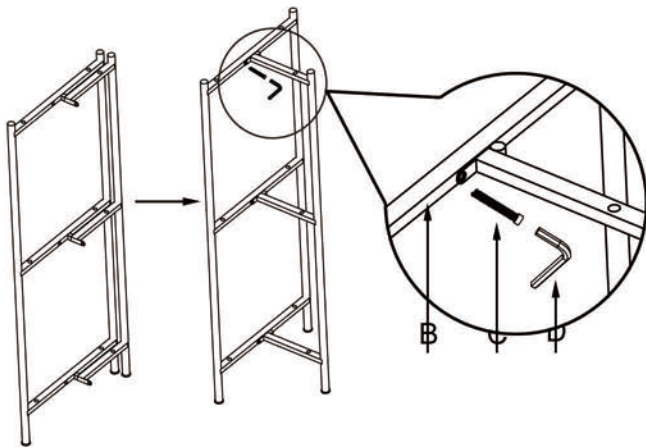
ASSEMBLY INSTRUCTIONS

ITEM NO:55617

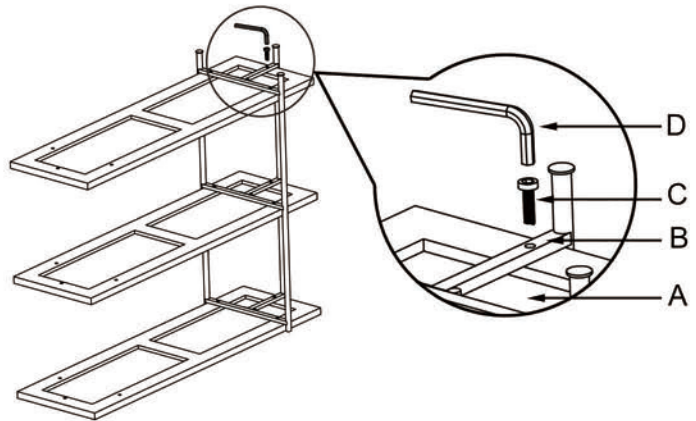
Thank you for purchasing this quality product. Be sure to check all packing material carefully for small parts that may have come loose inside the carton during shipment. (Note: Loosely thread all screws/bolts first. Once the item is assembled then completely tighten.)

PARTS LIST				HARDWARE LIST				
NO.	Description	Sketch	Quantity	NO.	Description	Sketch	Size	Quantity
A	Tops		3	C	Bolts		$\Phi 1/5'' * 1/2''$	18
B	Legs		2	D	Allen wrench		$\Phi 4/25''$	1

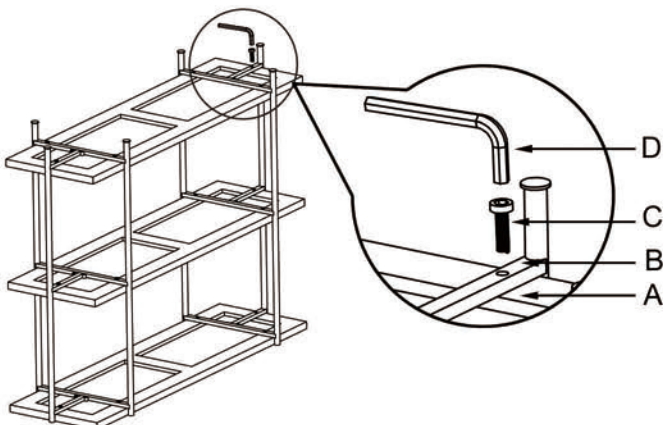
STEP ONE:



STEP TWO:



STEP THREE:



STEP FOUR:

