

ASSEMBLY INSTRUCTIONS

SKU# 53422

Before beginning

! Unpack all parts and hardware to ensure you have all needed components for assembly.

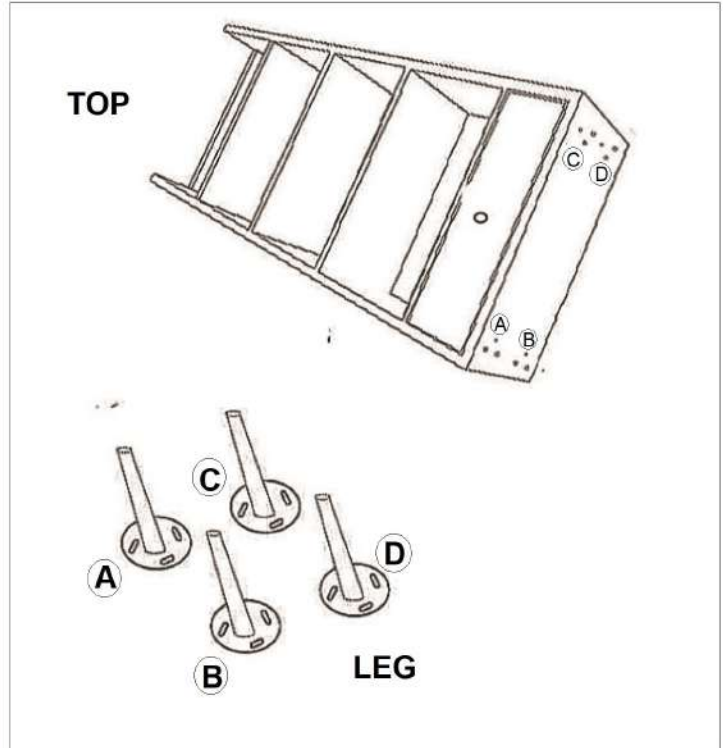
! Read this guide cover before beginning assembly.

! Assemble this item on a soft surface such as carpet to protect finish.

! Proper assembly of this item requires 2 people & 20 minutes to assemble.

CARE INSTRUCTIONS

Wipe with a soft, dry cloth. To protect finish, avoid the use of chemicals and household cleaners, Any liquid spilled on the table should be cleaned up immediately with a damp cloth.



HOW TO ASSEMBLY

STEP-1 Place the book case to upside down on rug.

STEP-2 Match Marking A with A, B with B, C with C, D with D respectively.

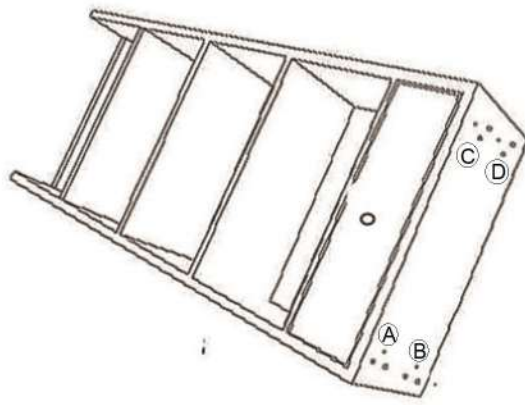
STEP-3 Insert allen bolt (E) with, spring washer (H) and flat washer (F) then tighten with allen key (G).

STEP-4 Turn the book case upside down book case is ready to use.

Hardware & Tool Required:-

No.	Sketch	Description	Size	QUT.	EXT.
E		ALLEN BOLT	0.31x0.78	12	1
F		WASHER	0.35X1	12	1
G		ALLEN KEY	0.19	1	0
H		SPRING WASHER	0.35X0.5	12	1
I				1	

STEP-1

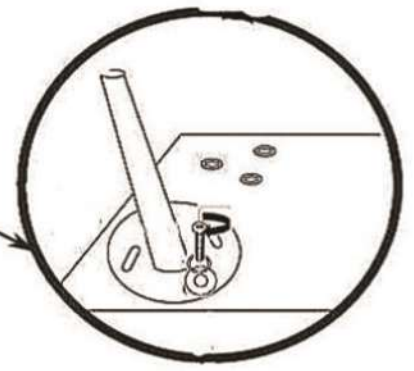
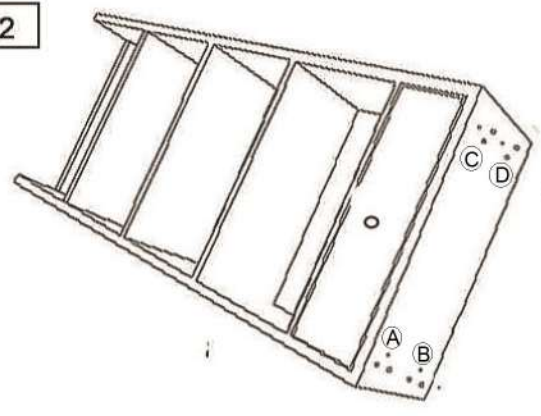


Tip for leveling of product:
When the product rests on an uneven floor surface
it will appear to be unbalanced. To aid in leveling, try
adjusting the levelers located on the bottom of each foot

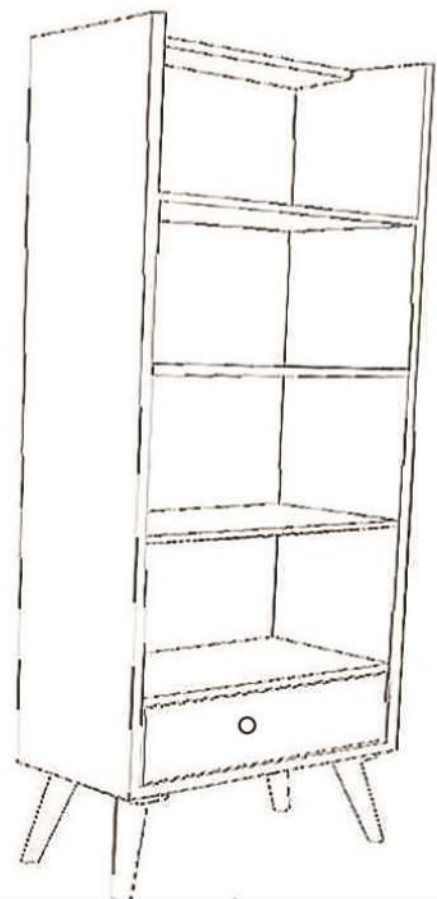
Adjustable leveler

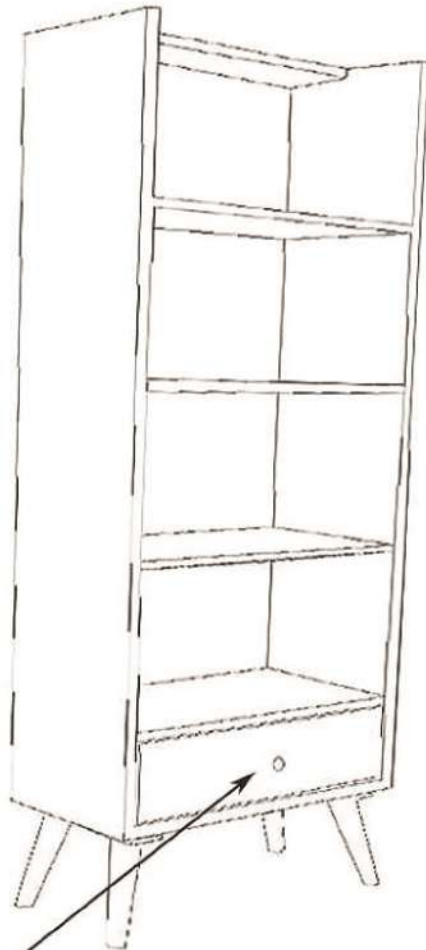


STEP-2



STEP-3





HOW TO ASSEMBLE

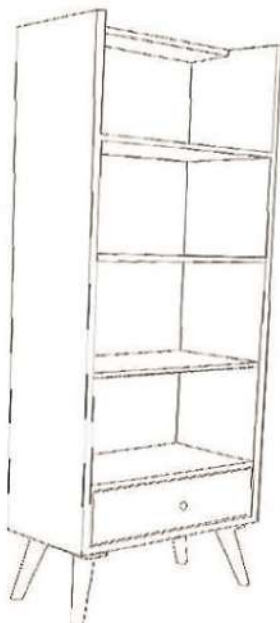
Step- 1 Knob are in Assembly Kit
Step- 2 Insert screw from inside the hole of drawer and set the knob to tighten clockwise.

Hardware & Tools required:

KNOB X 1



SCREW DRIVER
X 1



Final Product