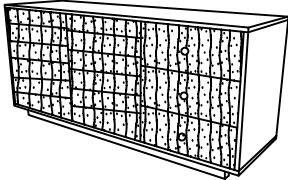

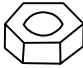
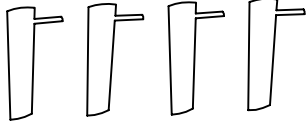



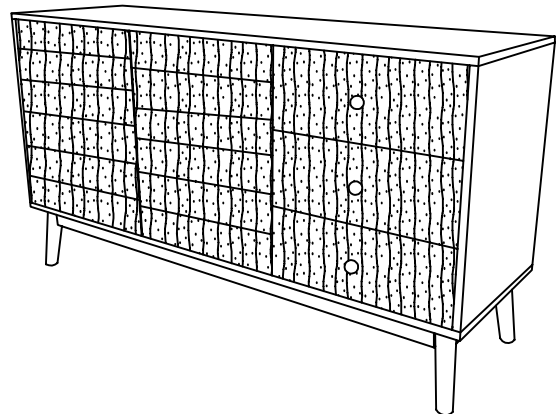
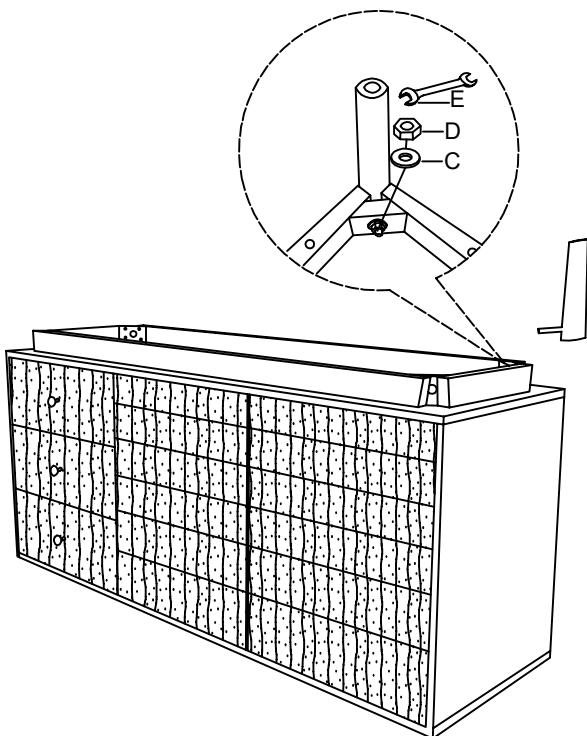
# Assembly Instruction Item No.53405

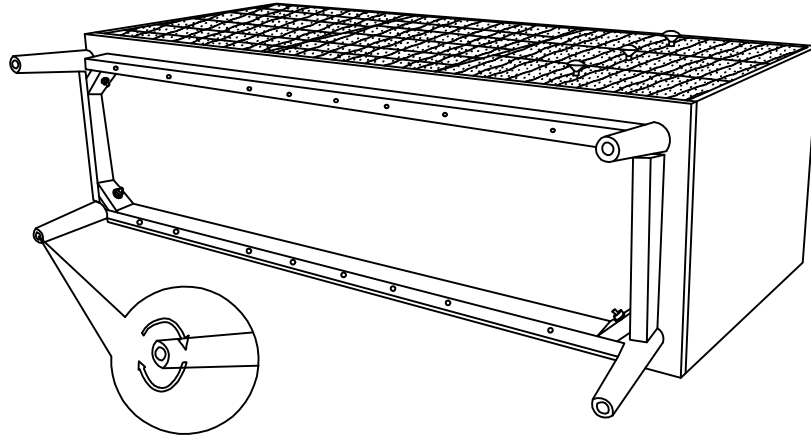
Thank you for purchasing this quality product. Be sure to check all packing material carefully for small parts that may have come loose inside the carton during shipment. (Note: loosely thread all screw/bolts first. Once the item is assembled then completely tighten.)

| PARTS LIST: |                                                                                     |          | HARDWARE LIST: |                                                                                      |             |             |          |
|-------------|-------------------------------------------------------------------------------------|----------|----------------|--------------------------------------------------------------------------------------|-------------|-------------|----------|
| No.         | Sketch                                                                              | Quantity | No.            | Sketch                                                                               | Discription | Size        | Quantity |
| A           |    | 1        | C              |     | Washer      | 0.90"x0.39" | 4        |
|             |                                                                                     |          | D              |     | Hexa Bolt   | 0.63"       | 4        |
| B           |  | 4        | E              |  | Spanner     | 0.63        | 1        |

## STEP:1

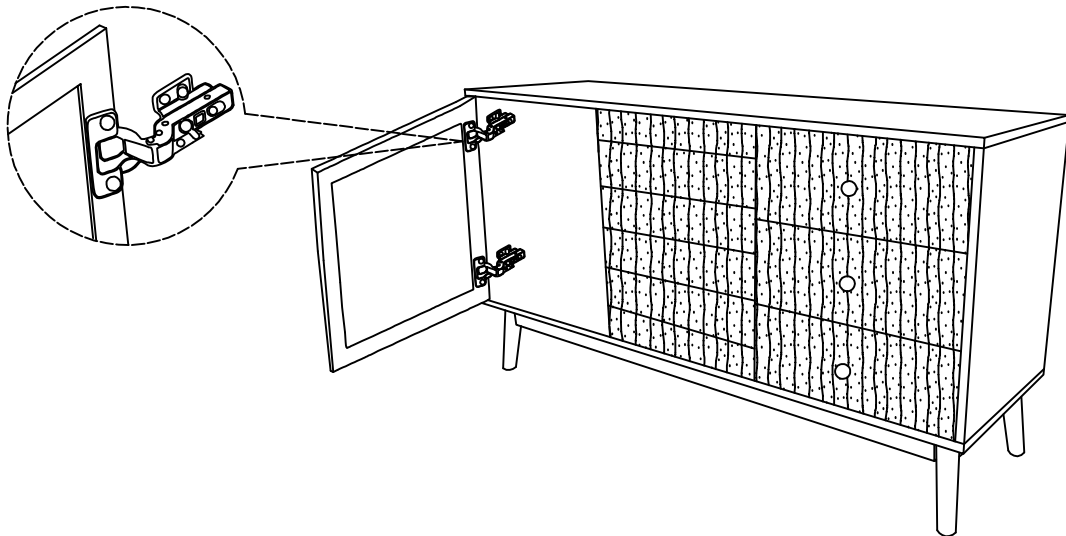
## FINISH:





### TIPS FOR ALIGNING DOORS:

Tip A : Sometimes the doors will not line up because of an uneven floor surface the furniture rests on. In that case, try adjusting the levelers found on the bottom of each foot to aid in correcting



Tip B : If tip a does not , you might want to take it a step further and try adjusting the hinges on the doors. please refer to the step by step figure instruction.