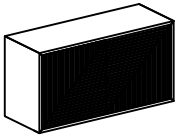



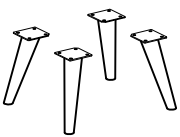




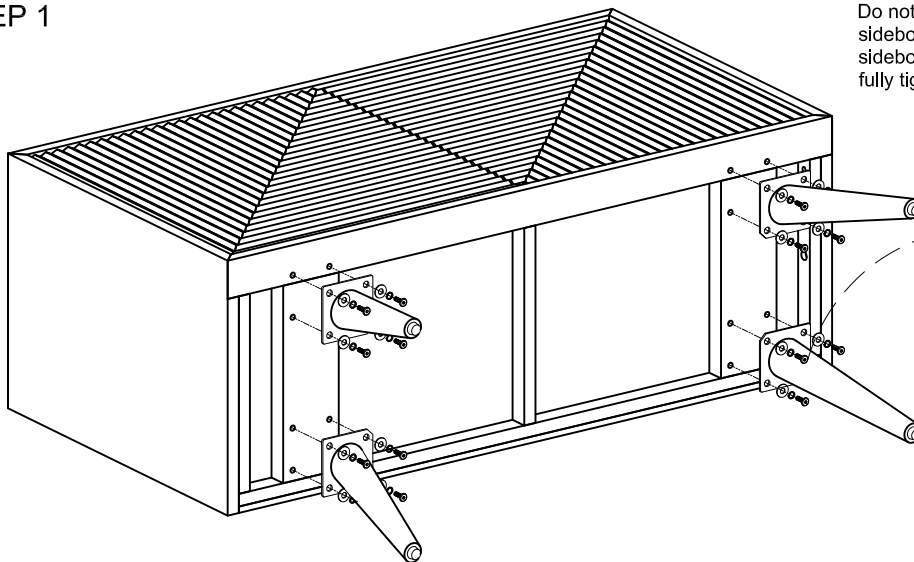
# Assembly Instructions

ITEM NO: 51567

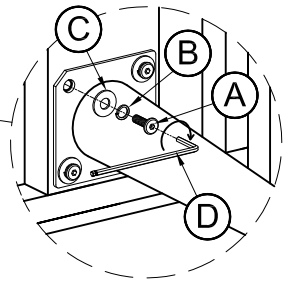
Thank you for purchasing this quality product. Be sure to check all packing material carefully for small parts that may have come loose inside the carton during shipment. (Note: Loosely thread all screws/bolts first. Once the item is assembled then completely tighten.)

PARTS LIST:				HARDWARE LIST:				
No.	Description	Sketch	Quality	No.	Sketch	Description	Size	Quality
1	Sideboard		1 Pc	A		Allen Head Bolt	Ø6x20mm	16 Pcs
				B		Lock Washer	Ø9xØ13mm	16 Pcs
				C		Flat Washer	Ø8xØ20mm	16 Pcs
2	Legs		4 Pcs	D		Allen Key	4x110mm	1 Pc
				E		Anti tip		1 Pc

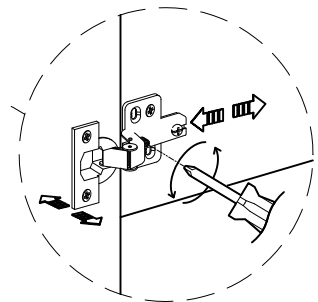
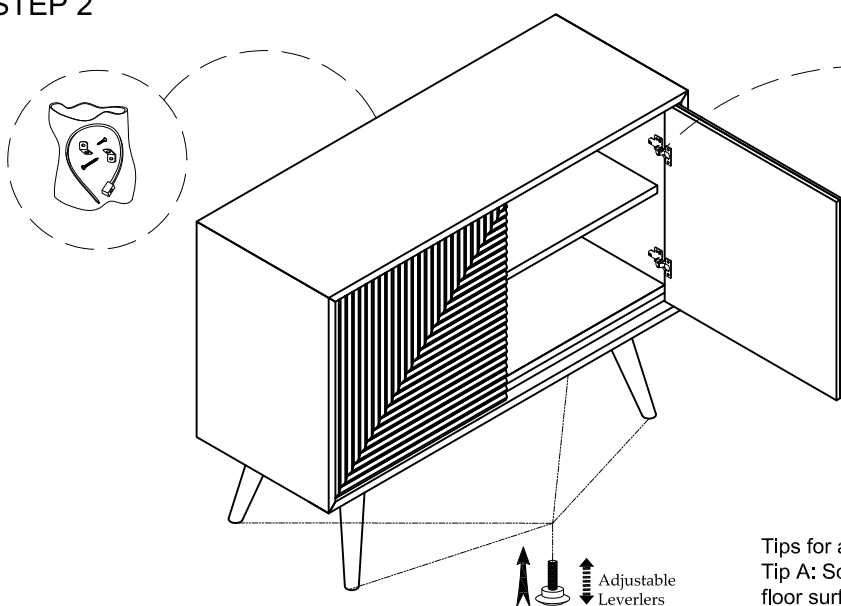
## STEP 1



Do not fully tighten the bolts until the complete sideboard has been assembled. Once the complete sideboard is assembled, use the provided Allen Key to fully tighten all the bolts.



## STEP 2



Tip B: If A does not help, you might want to take a step further by adjusting the hinges on the doors. Please refer to the step by step figure instructions down blow.

Tips for aligning doors:

Tip A: Sometimes the doors will not line up because of an uneven floor surface the furniture rests on. In that case, try adjusting the levers found on the bottom of each foot to aid in correcting.