



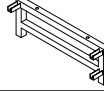






ASSEMBLY INSTRUCTIONS

ITEM NO.:51552

Thank you for purchasing this quality product. Be sure to check all packing material carefully for small parts that may have come loose inside the carton during shipment. (Note: Loosely thread all screws/bolts first. Once the item is assembled then completely tighten.)

PARTS LIST:				HARDWARE LIST				
NO.	Description	Sketch	Quantity	NO.	Sketch	Description	Size	Quantity
A	Top		1pc	E		Blots	Ø1/4"*1-5/8"L	4pcs
				F		Flast washer	Ø1/4"	4pcs
				G		Look washer	Ø1/4"*3/4"	4pcs
B	Legs		2pcs	H		Allen wrench	M4*65L	1pc
				K		Blots	Ø1/4"*1/2"L	12pcs
C	Center Legs		2pcs					
D	Center Leg		1pc					

