

ASSEMBLY INSTRUCTIONS

ITEM NO.:51546

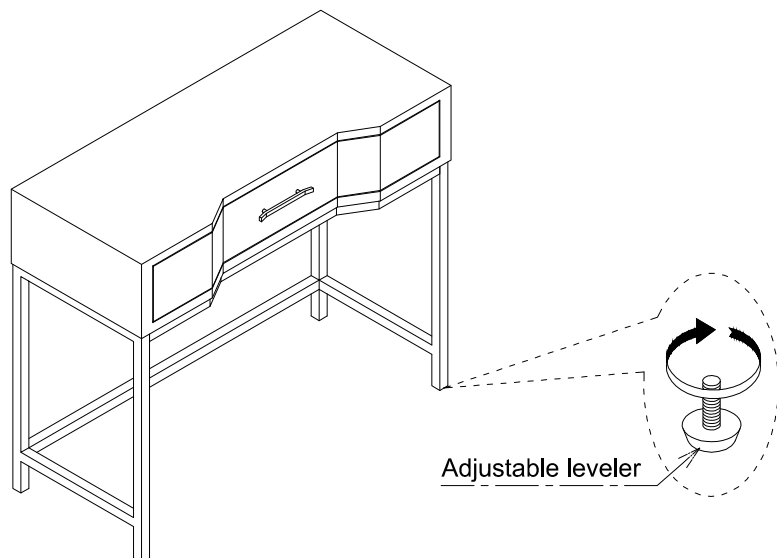
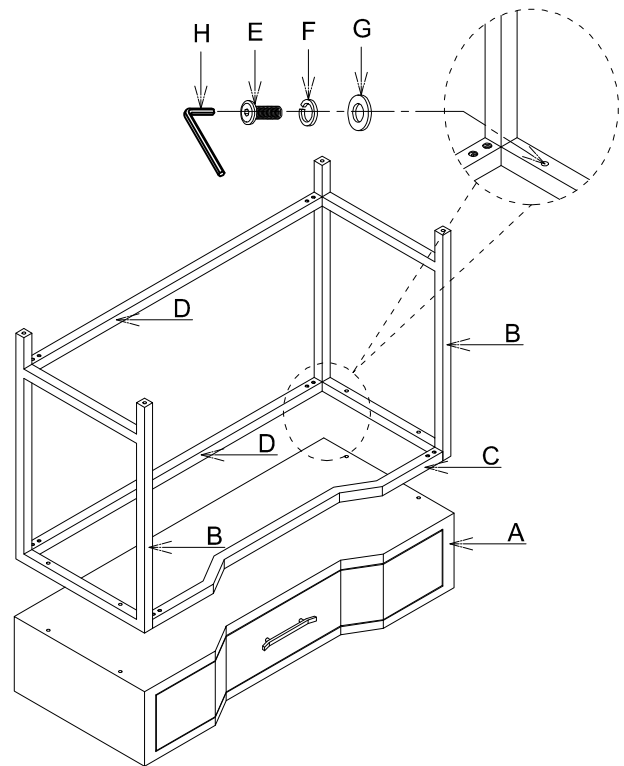
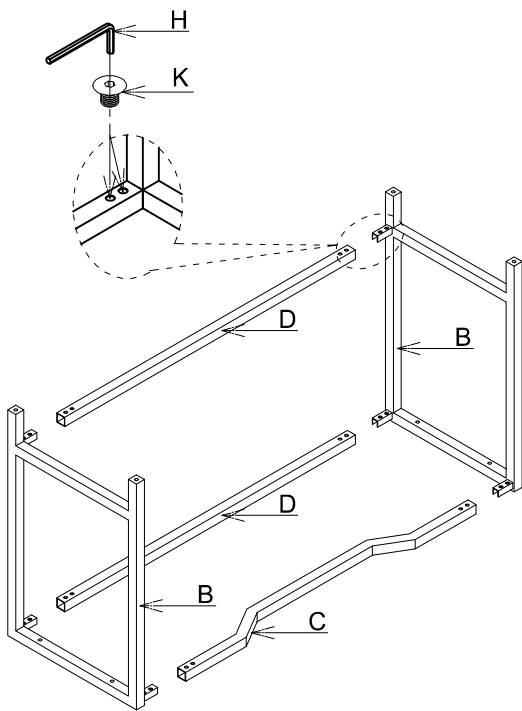
Thank you for purchasing this quality product. Be sure to check all packing material carefully for small parts that may have come loose inside the carton during shipment. (Note: Loosely thread all screws/bolts first. Once the item is assembled then completely tighten.)

PARTS LIST:

NO.	Description	Sketch	Quantity
A	Top		1
B	legs		2
C	center leg		1
D	center leg		2

HARDWARE LIST

NO.	Sketch	Description	Size	Quantity
E		Blots	Ø1/4"*1-5/8"L	4
F		Flast washer	Ø1/4"	4
G		Look washer	Ø1/4"*3/4"	4
H		Allen wrench	M4*65L	1
K		Blots	Ø1/4"*1/2"L	12



Adjustable leveler