

# Assembly Instructions

Item No. 51534

Thank you for Purchasing this quality product. Be sure to check all packing material carefully for small parts that may have come loose inside the carton during shipment. Note! Loosely thread all screws/bolts first. Once the item is assembled then completely tighten.)

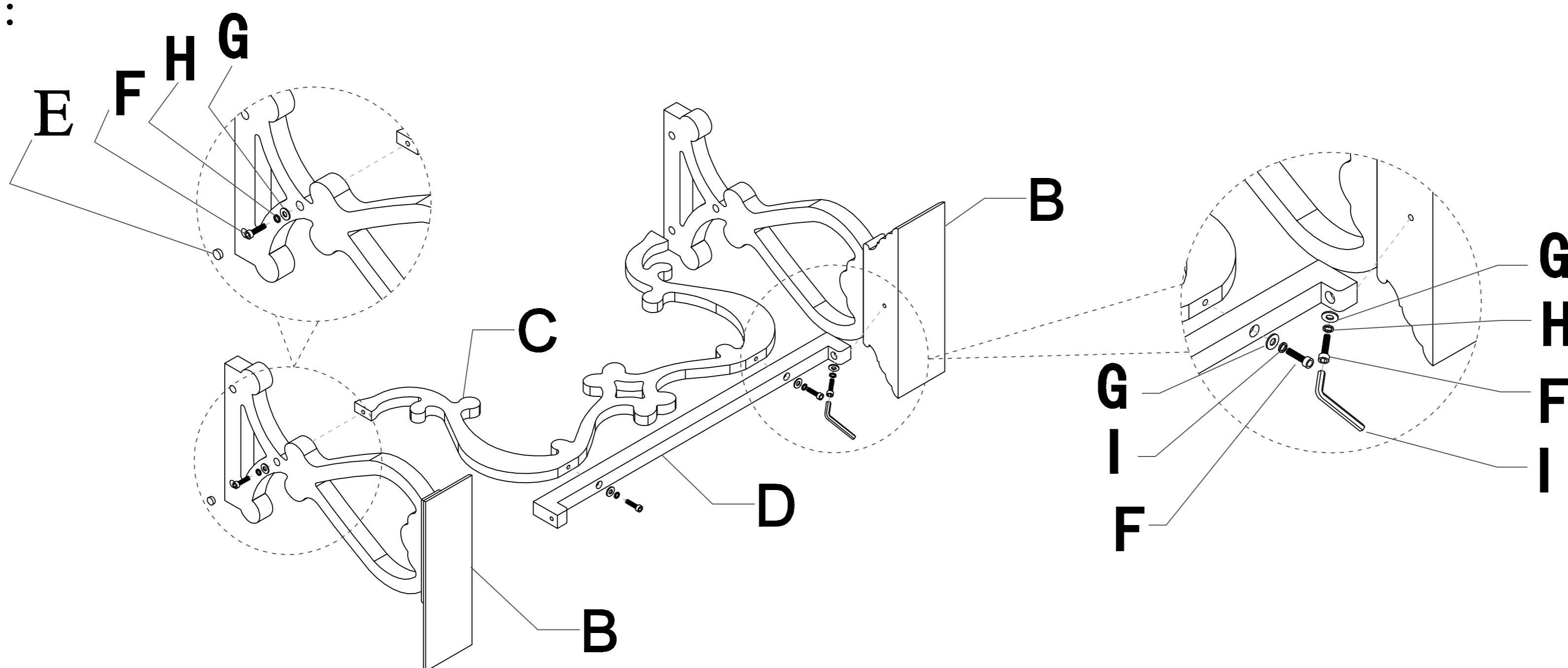
## Parts List

NO.	Sketch	Description	Quantity
A		Top of cabinet	1 pc
B		Side frame	2 pcs
C		Middle link box	1 pc
D		Bottom cross member	1 pc

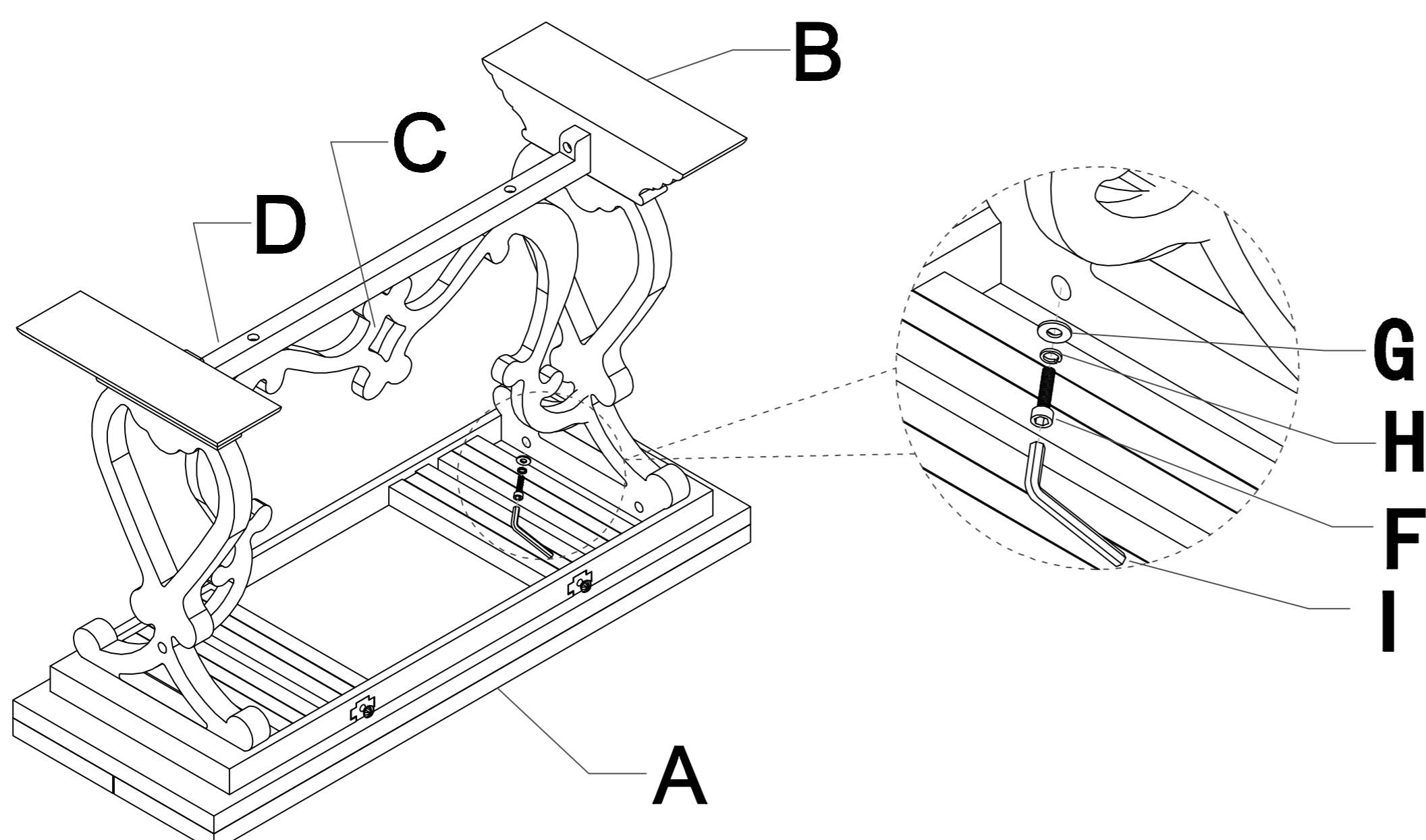
## Hardware List

NO.	Sketch	Description	Size	Quantity
E		Cork stopper	19*10mm	2 pcs
F		Bolt	8*50mm	10 pcs
G		Flat Washer	8*16mm	10 pcs
H		Spring Washer	8mm	10 pcs
I		Allen Key	5mm	1 pc

STEP1:



STEP2:



STEP3:

