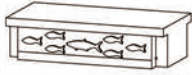







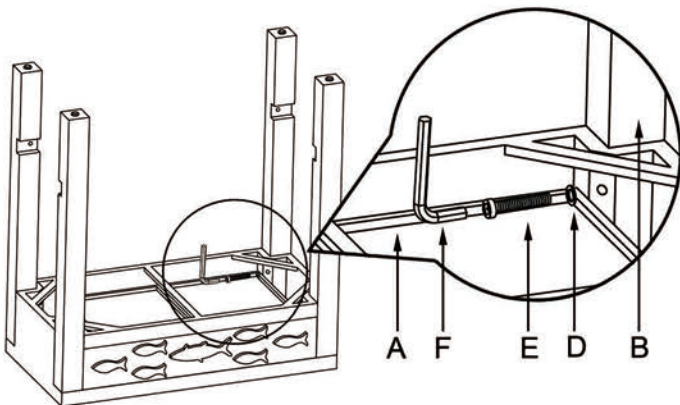
ASSEMBLY INSTRUCTIONS

ITEM NO:51514

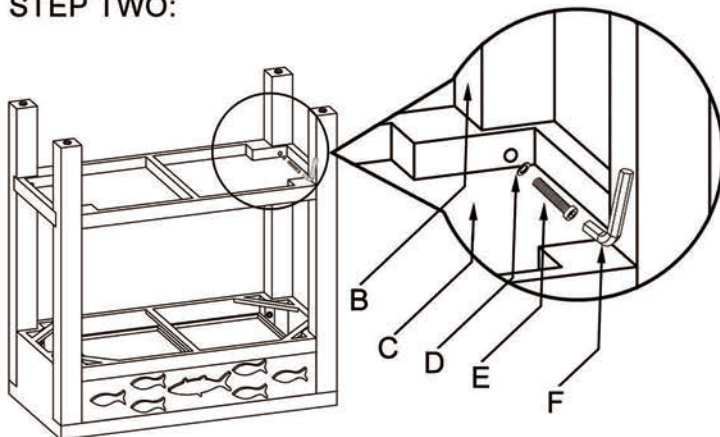
Thank you for purchasing this quality product. Be sure to check all packing material carefully for small parts that may have come loose inside the carton during shipment. (Note: Loosely thread all screws/bolts first. Once the item is assembled then completely tighten.)

PARTS LIST				HARDWARE LIST				
NO.	Description	Sketch	Quantity	NO.	Description	Sketch	Size	Quantity
A	Top		1	D	Lock washer		$\Phi 1/5$ " * $1/50$ "	8
B	Legs		1	E	Blots		$\Phi 1/5$ " * $1/2$ "	8
C	Board		2	F	Allen wrench		$\Phi 4/25$ "	1

STEP ONE:



STEP TWO:



STEP THREE:

