

# ASSEMBLY INSTRUCTIONS

## SKU # 49526

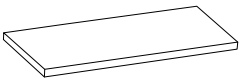
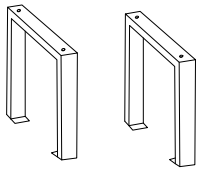
### Before beginning:

- ! Unpack all parts and hardware to ensure you have all needed components for assembly.
- ! Read this guide cover to cover before beginning assembly.
- ! Assemble this item on a soft surface, such as carpet to protect finish.
- ! Proper assembly of this item requires 2 people & 20 minutes to assemble.

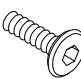
### CARE INSTRUCTIONS

Wipe with a soft, dry cloth. To protect finish, avoid the use of chemicals and household cleaners, Any liquid spilled on the table should be cleaned up immediately with a damp cloth.

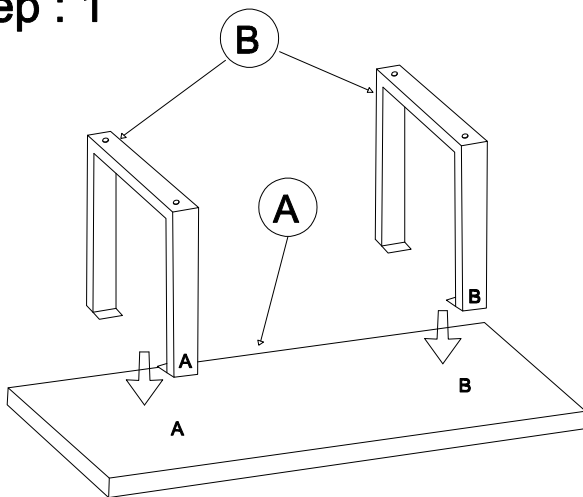
### PARTS LIST :

No.	Description	Sketch	Quantity
A	Top		1
B	Leg		2

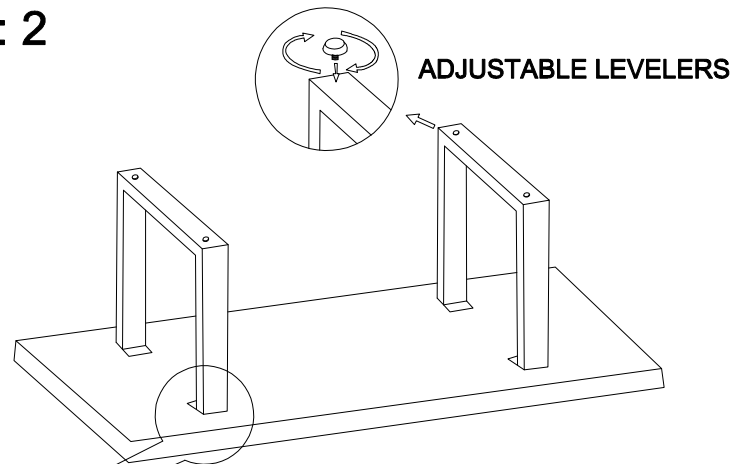
### HARDWARE LIST :

No.	Sketch	Description	Size	Quantity
C		Allen Bolt	8mm x 30mm	8+1
D		Spring Washer	8mm	8+1
E		Washer	8mm	8+1
F		Allen Key	6mm	1

### Step : 1



### Step : 2



### FINISH :

