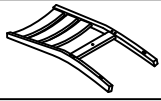

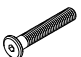
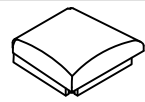
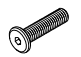

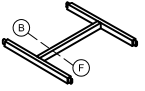


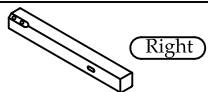

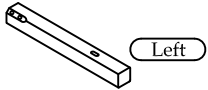


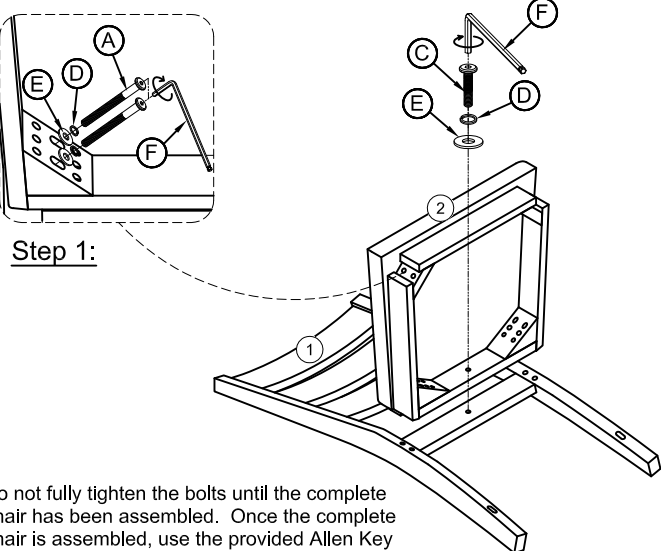
Assembly Instructions

ITEM NO: 48221/48223

Thank you for purchasing this quality product. Be sure to check all packing material carefully for small parts that may have come loose inside the carton during shipment. (Note: Loosely thread all screws/bolts first. Once the item is assembled then completely tighten.)

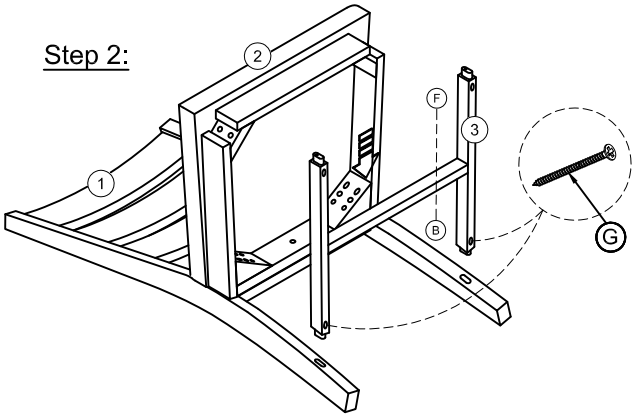
PARTS LIST:				HARDWARE LIST:				
No.	Description	Sketch	Quality	No.	Sketch	Description	Size	Quality
1	Back Chair		1 Pc	A		Allen Head Bolt	Ø8x85mm	4 Pcs
				B		Allen Head Bolt	Ø8x50mm	4 Pcs
2	Seat		1 Pc	C		Allen Head Bolt	Ø8x40mm	1 Pc
				D		Lock Washer	Ø9xØ13mm	9 Pcs
3	Stretcher		1 Pc	E		Flat Washer	Ø8xØ20mm	9 Pcs
				F		Allen Key	Ø4x110mm	1 Pc
4	Right Front Leg		1 Pc	G		Wood Screw	Ø4x50mm	4 Pcs
5	Left Front Leg		1 Pc					

Step 1:

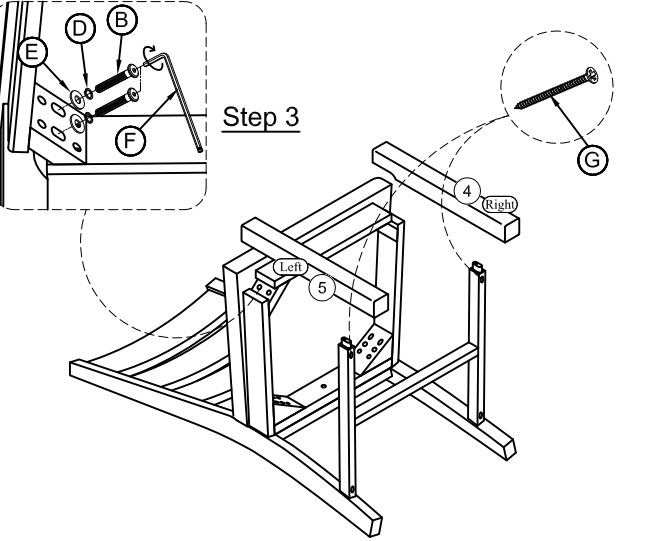


Do not fully tighten the bolts until the complete chair has been assembled. Once the complete chair is assembled, use the provided Allen Key to fully tighten all the bolts.

Step 2:



Step 3:



Finish:

