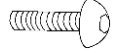
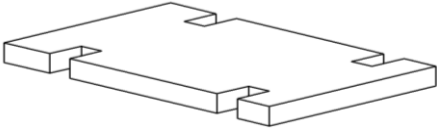




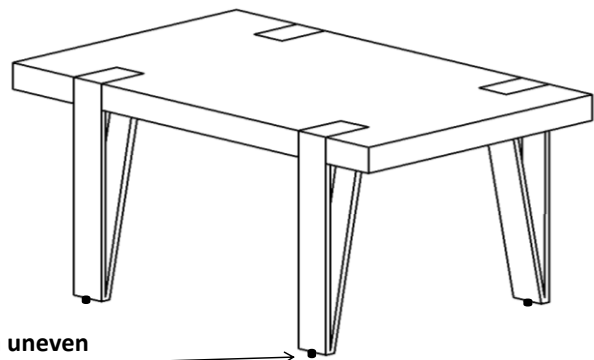
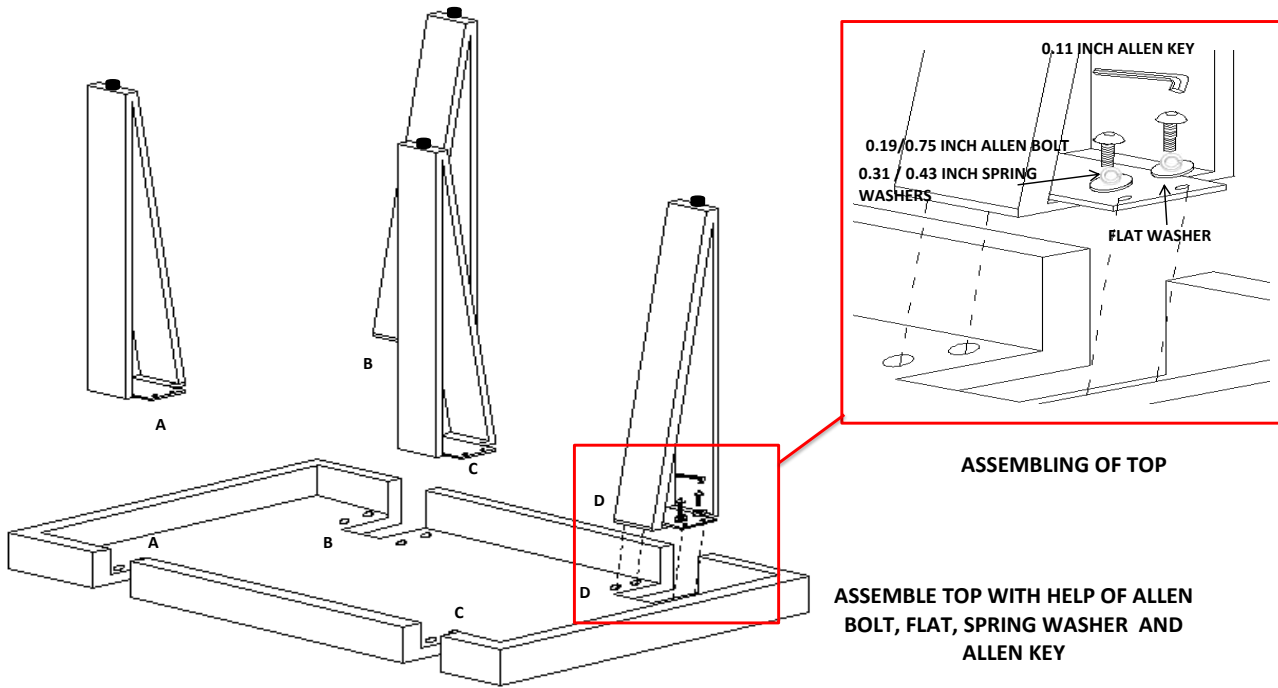


## ASSEMBLY INSTRUCTION DINING TABLE #44602

HARDWARE PARTS				DINING TABLE PARTS	
No.	Drawing	Qty.	Extra Qty.		
1	 0.19/0.75 INCHES ALLEN BOLT 16 PCS.	16	1	 DINING TABLE TOP	 TABLE LEG
2	 0.11 INCH ALLEN KEY 1 PC.	1	0		
3	 0.31 / 0.43 INCH SPRING WASHER	16	1		
4	 FLAT WAHSER	16	1		

**Step:- 1 Spread a rug on floor & put the table parts. As shown in drawing**

**Step:-2 Place the Iron Leg to the wooden part after screw the Allen bolt 16(0.19/0.75 inch), along with flat and spring washer help of allen key 1(0.11 Inch). As shown in drawing**



**Tip for leveling of product:** When the product rests on an uneven floor surface it will appear to be unbalanced. To aid in leveling, try adjusting the levelers located on the bottom of each foot.

**READY TO USE**