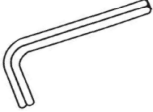

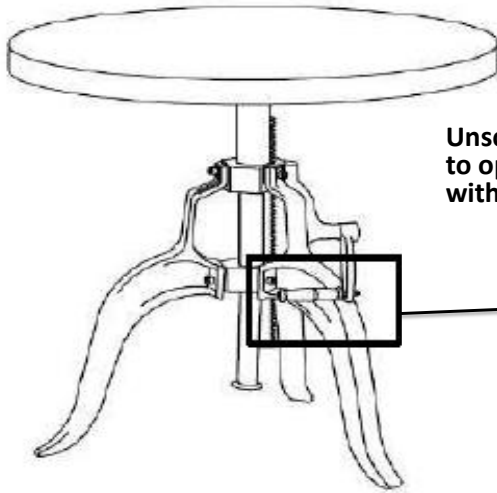
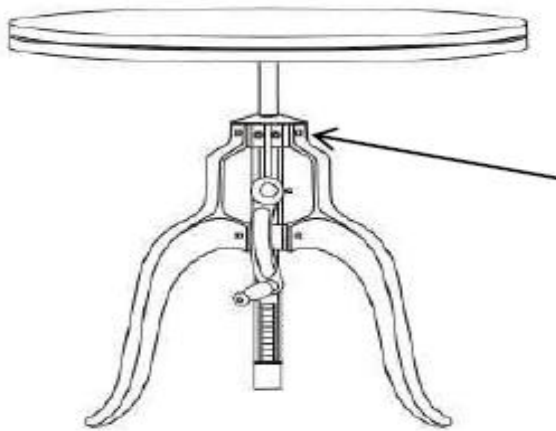
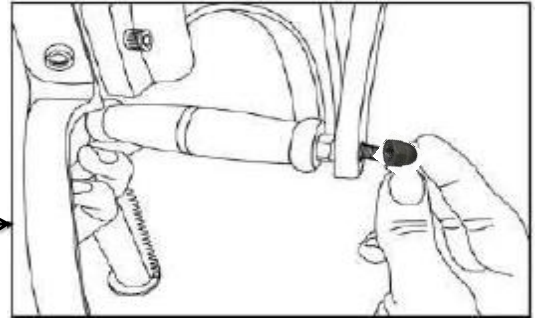


Hardware

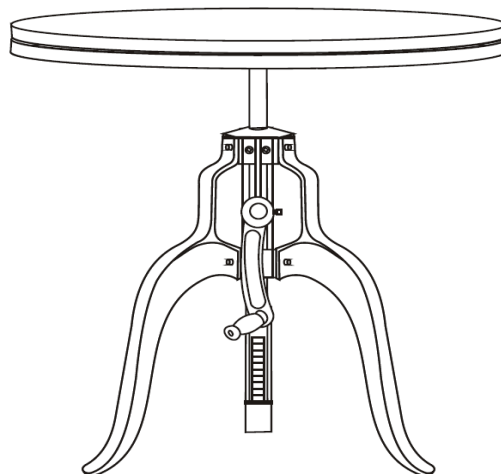
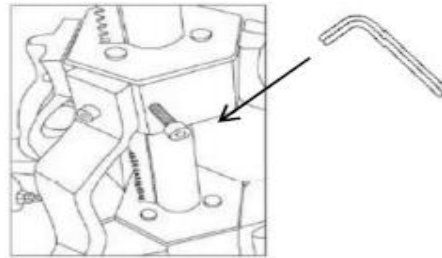
	0.27 INCHES		12-13
	ALLEN KEY 1 PC.		Wrench 1 PC.



Unscrew handle, change handle to opposite side and tighten with same dome nut.



After adjusting table to desired height, please tighten the bolt with allen key



FINAL PICTURE