

ASSEMBLY INSTRUCTIONS

SKU# 37119

Before beginning

! Unpack all parts and hardware to ensure you have all needed components for assembly.

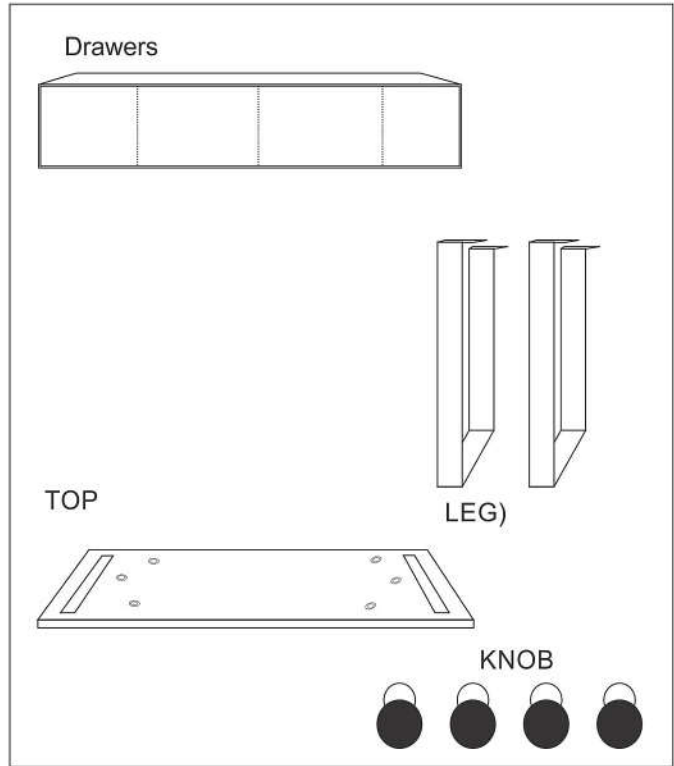
! Read this guide cover before beginning assembly.

! Assemble this item on a soft surface such as carpet to protect finish.

! proper assembly of this item requires 2 people & 20 minutes to assemble.

CARE INSTRUCTIONS

Wipe with a soft, dry cloth. To protect finish, avoid the use of chemicals and household cleaners, Any liquid spilled on the table should be cleaned up immediately with a damp cloth.



HOW TO ASSEMBLE

STEP-1 Place the Desktop table upside down on rug.

STEP-2 Match Marking A With A.B. with B and C With C, D with D respectively and all match with arrow

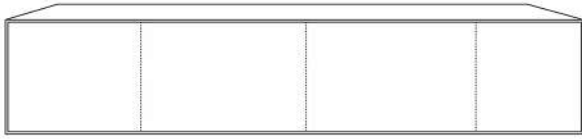
STEP-3 Insert allen bolt (D) with spring washer (E) and flat washer (F) then tighten with Allen Key (G).

STEP-4 Turn The Desktop Table Upside Down, Desktop Table Is Ready To Use.

Hardware & Tool Required:-

No.	Sketch	Description	Size	Quantity
D		Allen Bolt	0.3X0.78"	11+1
E		Spring Washer	0.35X0.5"	11+1
F		Washer	0.35X1"	11+1
G		Allen Key	0.2"	1
H				1

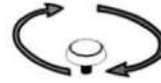
Step 1



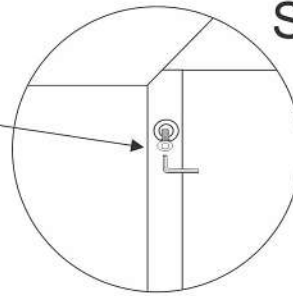
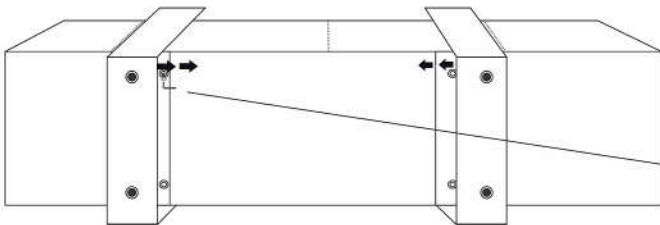
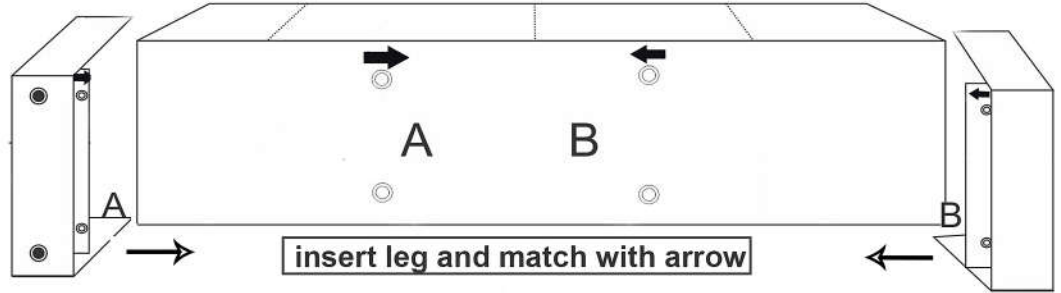
Tip for leveling of product:
When the product rests on an uneven floor surface
it will appear to be unbalanced. To aid in leveling, try
adjusting the levelers located on the bottom of each foot.

Step 2

Adjustable Levelers

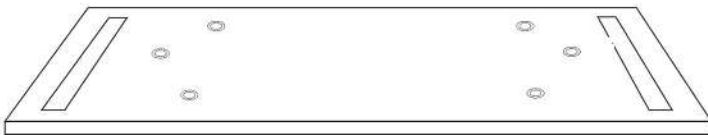


Step 3

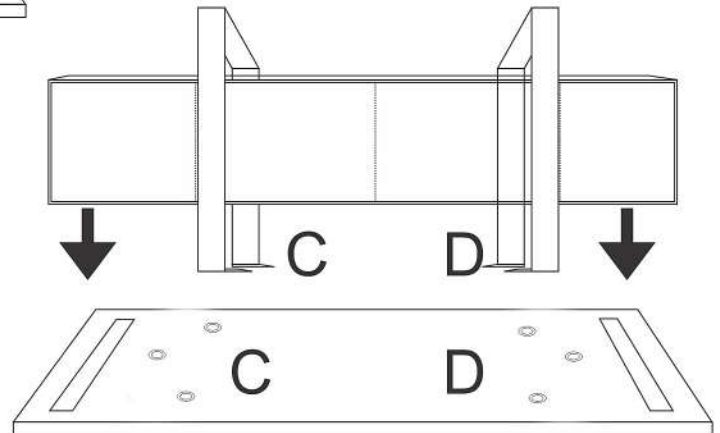


Step 4

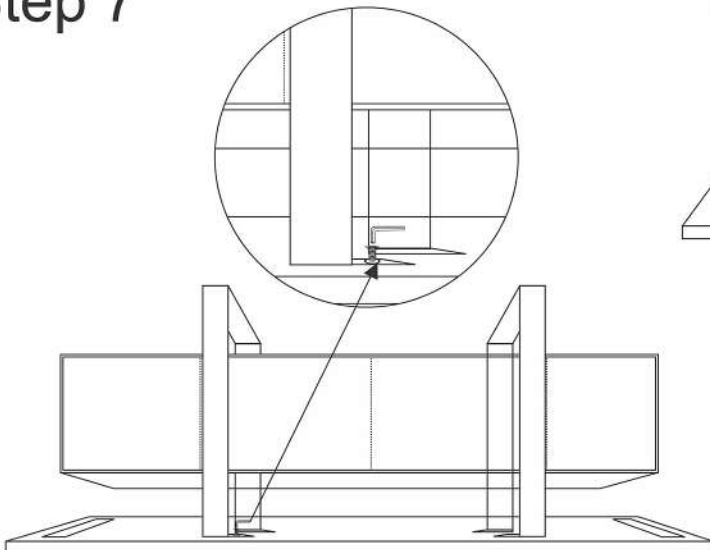
Step 5

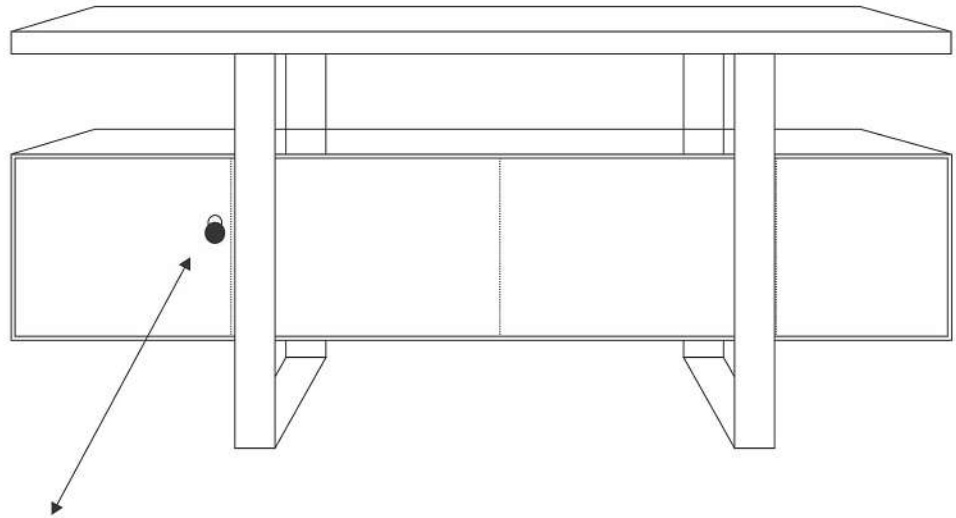
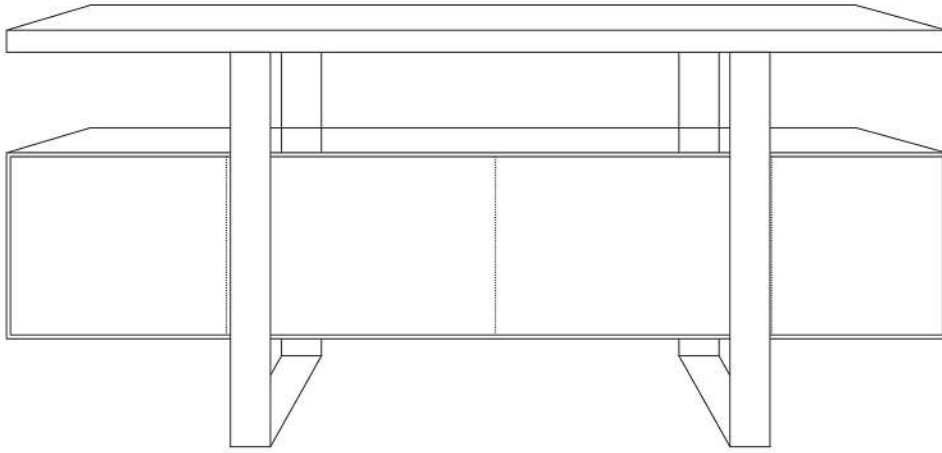


Step 6



Step 7





HOW TO ASSEMBLE

Step- 1 Knobs are in Assembly Kit
Step- 2 Insert screw from inside the hole of door and set the knob to tighten clockwise.

Hardware & Tools required:

(A) Knob X4	
(C) Screw Driver 1x	

Final Product

