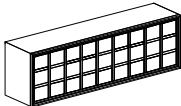







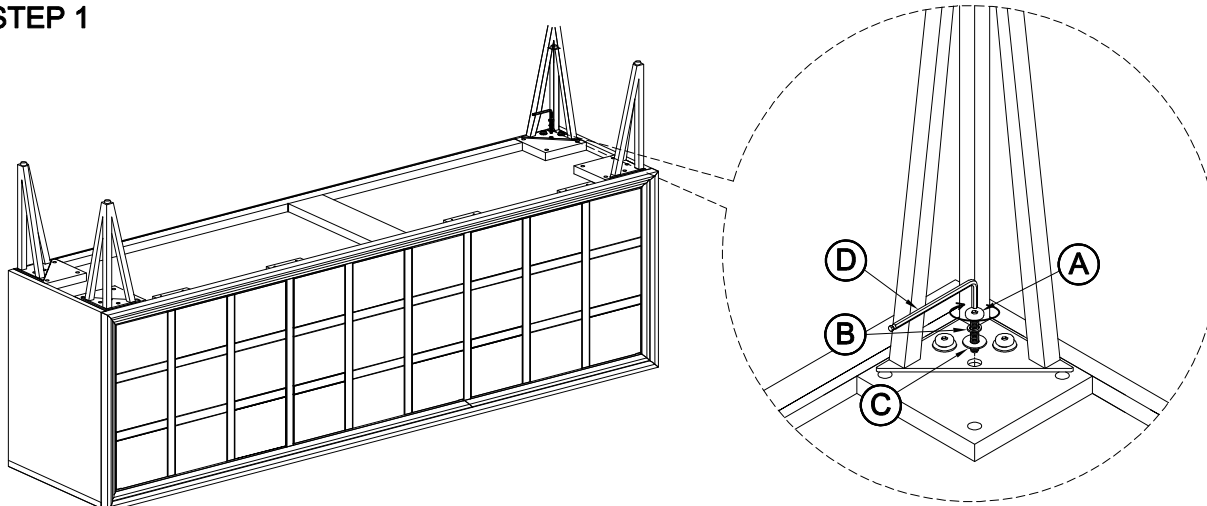
# Assembly Instructions

## ITEM NO: 30447

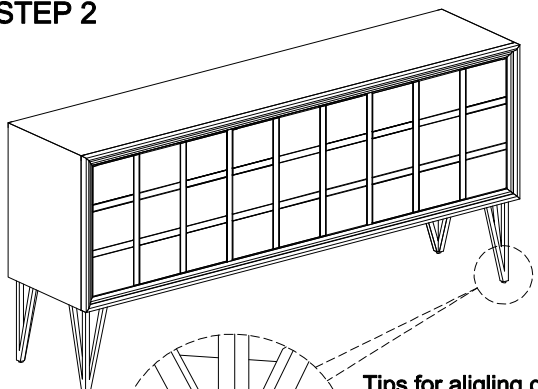
Thank you for purchasing this quality product. Be sure to check all packing material carefully for small parts that may have come loose inside the carton during shipment. (Note: Loosely thread all screws/bolts first. Once the item is assembled then completely tighten.)

PARTS LIST:				HARDWARE LIST:				
No.	Description	Sketch	Quality	No.	Sketch	Description	Size	Quality
1	Top Table		1 Pc	A		Allen Head Bolt	Ø8x20mm	12 Pcs
				B		Lock Washer	Ø8xØ13mm	12 Pcs
2	Metal Legs		4 Pcs	C		Flat Washer	Ø8xØ19mm	12 Pcs
				D		Allen Key	4x110mm	1 Pc

### STEP 1



### STEP 2



**Tips for aligning doors:**  
**Tip A:** Sometimes the doors will not line up because of an uneven floor surface the furniture rests on. In the case, try adjusting the levelers found on the bottom of each foot to aid in correcting.

Adjustable Levelers

### FINISH

