

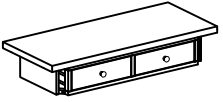
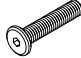

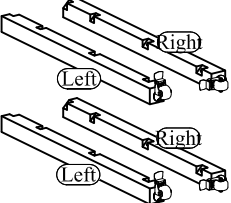



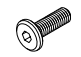
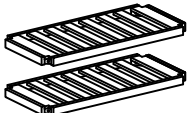
Assembly Instructions

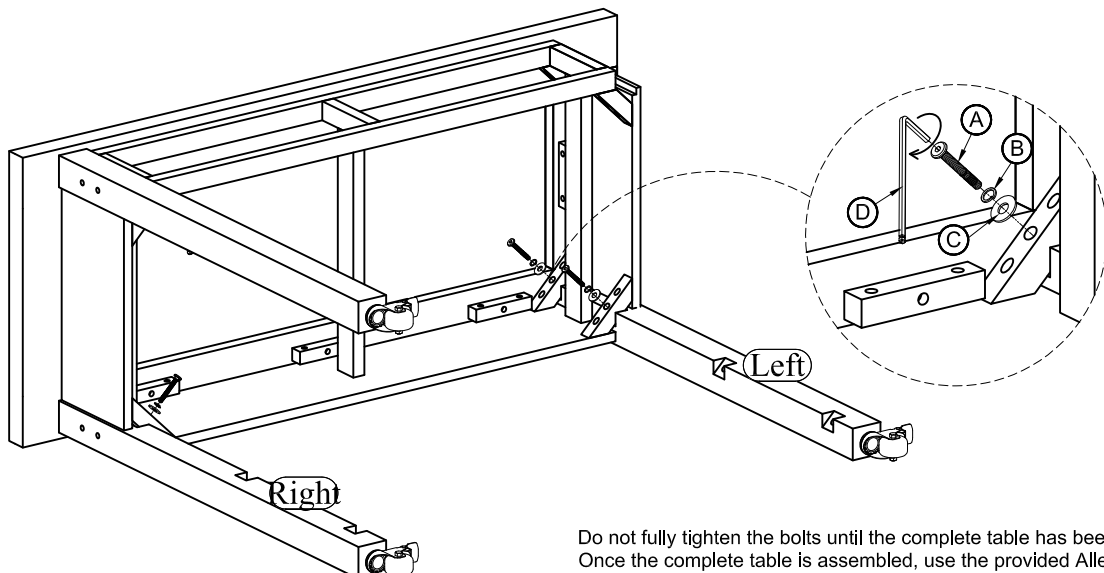
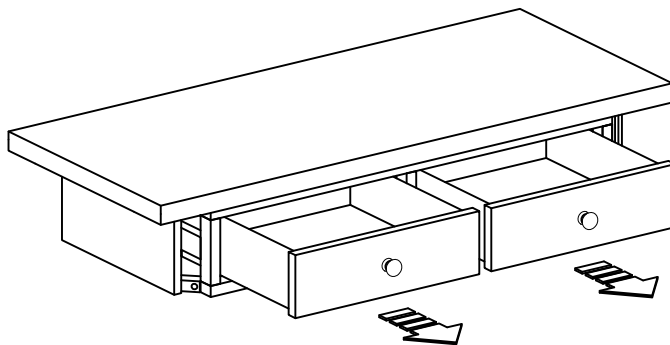
ITEM NO: 30434

Thank you for purchasing this quality product. Be sure to check all packing material carefully for small parts that may have come loose inside the carton during shipment. (Note: Loosely thread all screws/bolts first. Once the item is assembled then completely tighten.)

PARTS LIST:

HARDWARE LIST:

No.	Description	Sketch	Quality	No.	Sketch	Description	Size	Quality
1	Table Top		1 Pc	A		Allen Head Bolt	Ø6x45mm	16 Pcs
				B		Lock Washer	Ø9xØ13mm	16 Pcs
2	Leg		4 Pcs	C		Flat Washer	Ø8xØ20mm	16 Pcs
				D		Allen Key	4x110mm	1 Pc
				E		Handle		2 Pcs
				F		Allen Head Bolt	Ø6x20mm	8 Pcs
3	Shelf		2 Pcs					



Do not fully tighten the bolts until the complete table has been assembled. Once the complete table is assembled, use the provided Allen Key to fully tighten all the bolts.

Assembly Instructions

ITEM NO: 30434

