

Thank you for purchasing this quality product. Be sure to check all packing material carefully for small parts that may have come loose inside the carton during shipment.(Note:Loosely thread all screws/bolts first. Once the item is assembled then completely tighten.)

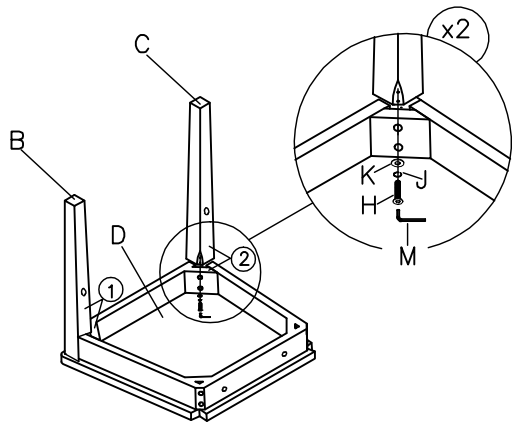
TOOLS REQUIRED

PARTS LIST:

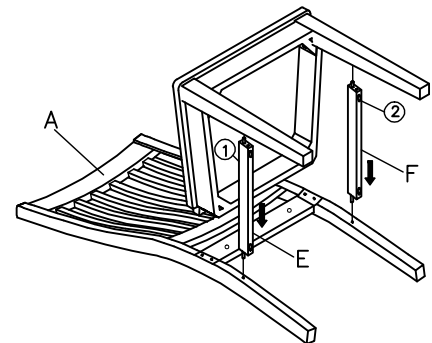
No.	Description	Sketch	Quantity	No.	Description	Sketch	Quantity
A	Back of the chair		1	B	Left Leg		1
C	Right Leg		1	D	The cushion		1
E	Left connecting rod		1	F	Right connecting rod		1

HARDWARE LIST:

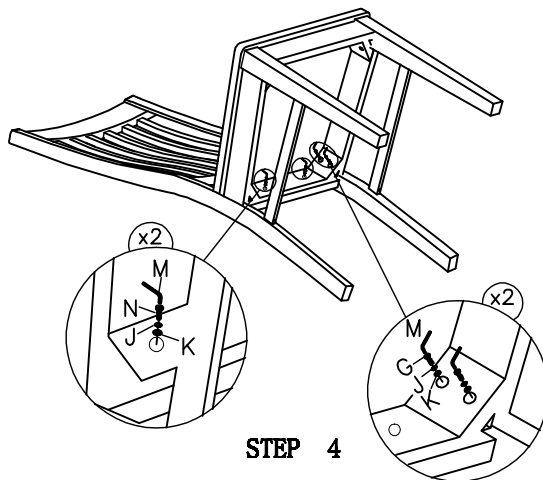
No.	Sketch	Description	Size	Quantity	No.	Sketch	Description	Size	Quantity
G		Bolt	ø5/16"*2-3/4"	4	H		Bolt	ø5/16"*2"	4
N		Bolt	ø5/16"*1-1/2"	2	J		Lock Washer	ø5/16"	10
K		Flat Washer	ø5/16"*3/4"	10	M		Allen Wrench	M5	1
L		Rapid tooth	ø8*1-1/2"	4					



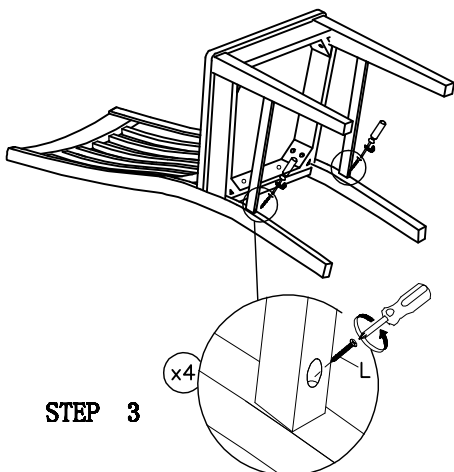
STEP 1



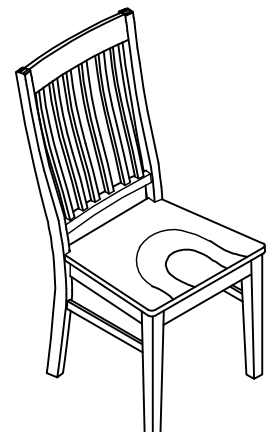
STEP 2



STEP 4



STEP 3



STEP 5