



## ASSEMBLY INSTRUCTIONS COASTER FINE FURNITURE



Fine Furniture for every stage of life

**650010**  
***Glider & Ottoman***

ITEM: **650010**



## ASSEMBLY INSTRUCTION

### ASSEMBLY TIPS:

1. Remove hardware from box and sort by size.
2. Please check to see that all hardware and parts are present prior to start of assembly.
3. Please follow attached instruction in the same sequence as numbered to assure fast & easy assembly.



### Warning !

1. Don't attempt to repair or modify parts that are broken or defective. Please contact the store immediately.
2. This product is for home use only and not intended for commercial establishment.

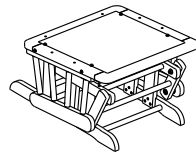


ASSEMBLY TIME

20 MINUTES

## PARTS IDENTIFICATION

AD BASE



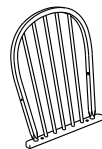
1PC

DD ARM CUSHION



2PCS

BD BACK FRAME



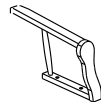
1PC

ED BACK CUSHION



1PC

CD-L LEFT ARM REST



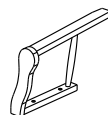
1PC

FD SEAT CUSHION



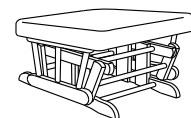
1PC

CD-R RIGHT ARM REST



1PC

GD OTTOMAN



1PC

ITEM: **650010**

## ASSEMBLY INSTRUCTION

### ASSEMBLY TIPS:




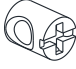

1. Remove hardware from box and sort by size.
2. Please check to see that all hardware and parts are present prior to start of assembly.
3. Please follow attached instruction in the same sequence as numbered to assure fast & easy assembly.



### Warning !

1. Don't attempt to repair or modify parts that are broken or defective. Please contact the store immediately.
2. This product is for home use only and not intended for commercial establishment.

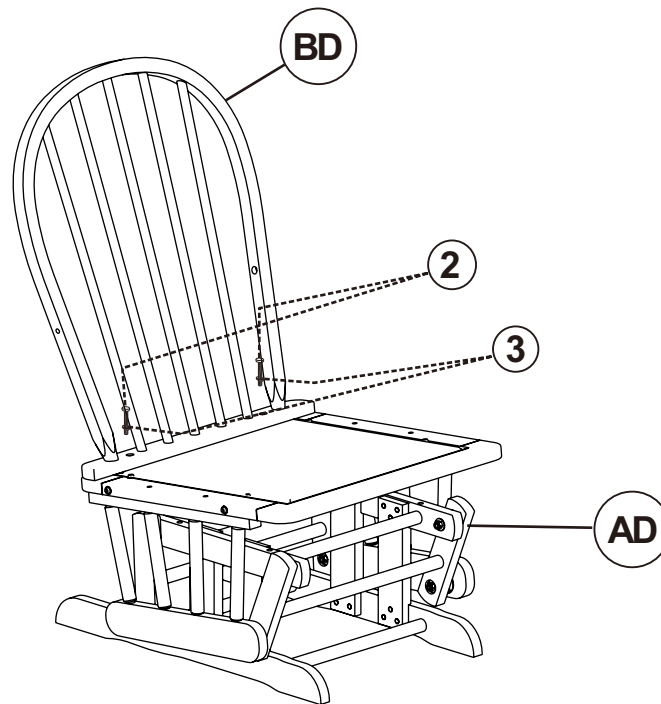
## HARDWARE IDENTIFICATION

1	<b>LONG BOLT</b> (11 x 45mm - BLK)		<b>2PCS</b>
2	<b>SHORT BOLT</b> (11 x 38mm - BLK)		<b>6PCS</b>
3	<b>LOCK WASHER</b> (10.5 x 2 mm - RBW)		<b>8PCS</b>
4	<b>BARREL NUTS</b> (10 x 12 mm - RBW)		<b>2PCS</b>
5	<b>ALLEN KEY</b> (5 x 25 x 57 mm - RBW)		<b>1PC</b>

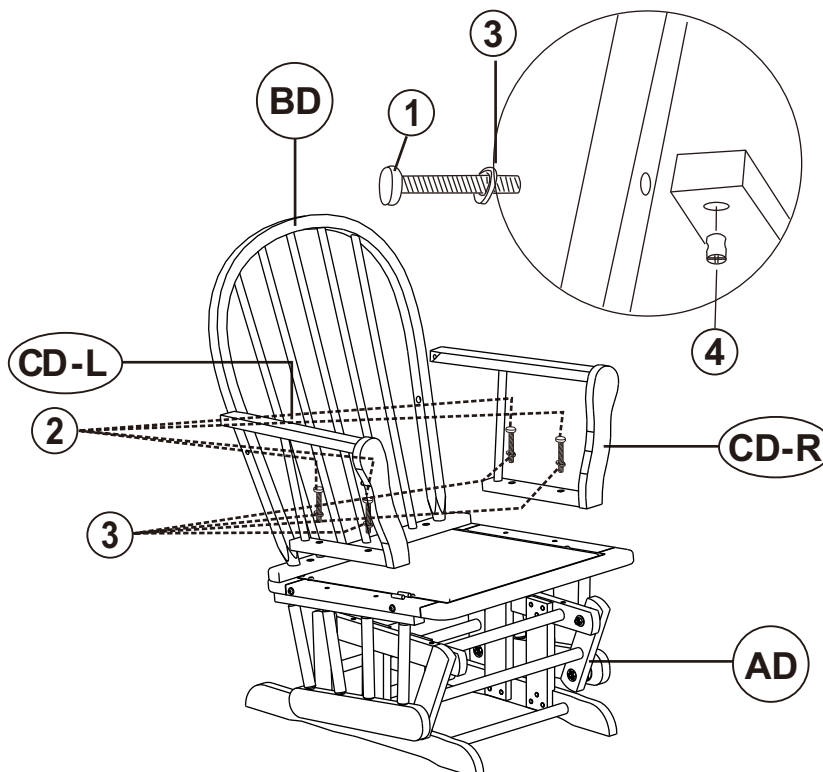
ITEM: **650010**

**ASSEMBLY INSTRUCTION**

**STEP 1**



**STEP 2**

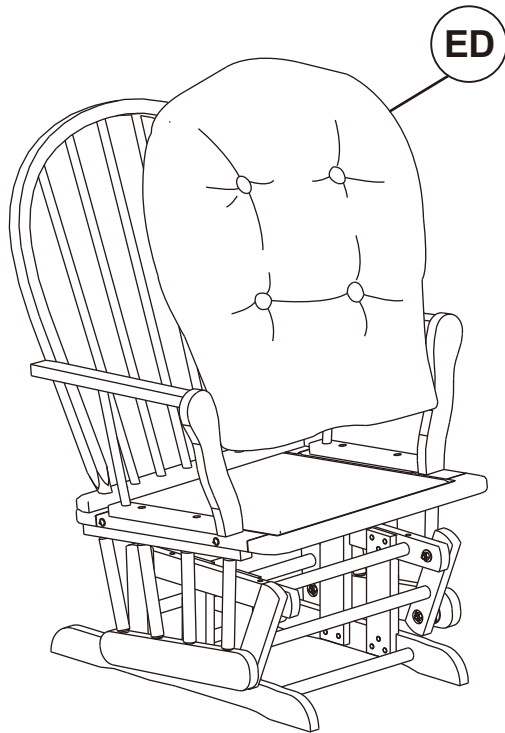


ITEM: **650010**

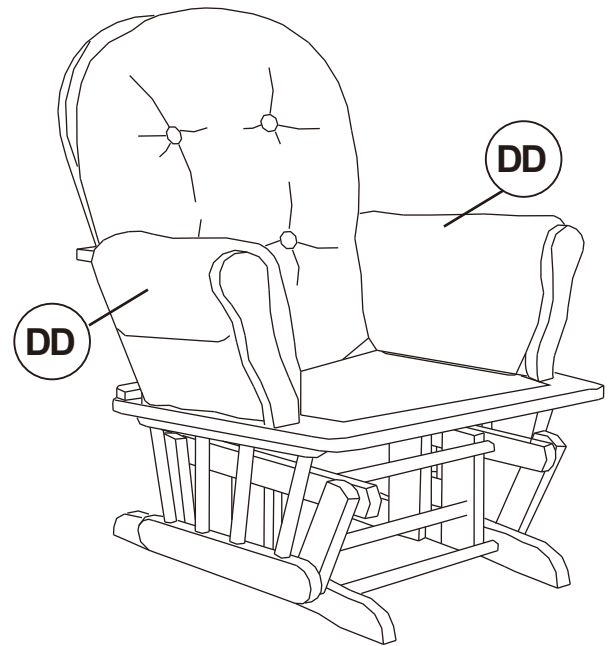


**ASSEMBLY INSTRUCTION**

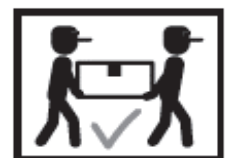
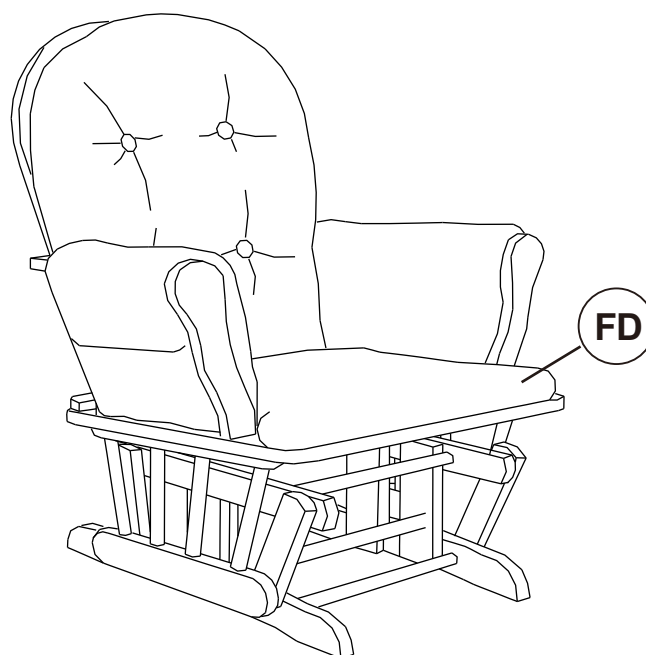
**STEP 3**



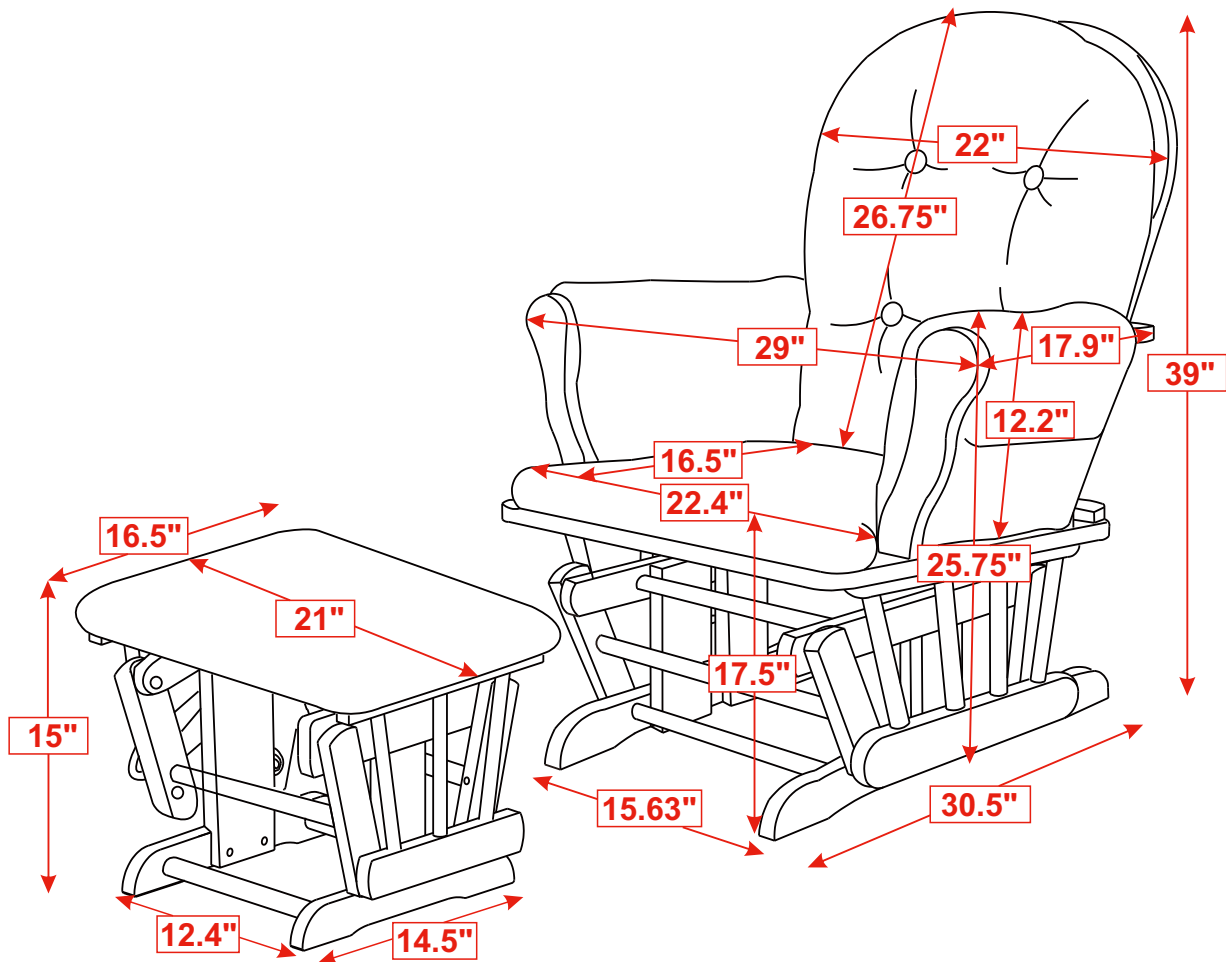
**STEP 4**



**STEP 5**  
**COMPLETED**



ITEM: **650010**



**Note:** Dimension tolerance  $\pm 5\%$