

ASSEMBLY INSTRUCTIONS
COASTER FINE FURNITURE



Fine Furniture for every stage of life

222734
Mirror

ITEM: **222734**



ASSEMBLY INSTRUCTIONS

ASSEMBLY TIPS:

1. Remove hardware from box and sort by size.
2. Please check to see that all hardware and parts are present prior to start of assembly.
3. Please follow attached instructions in the same sequence as numbered to assure fast & easy assembly.

WARNING!




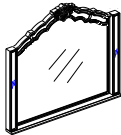

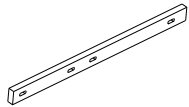
1. Don't attempt to repair or modify parts that are broken or defective. Please contact the store immediately.
2. This product is for home use only and not intended for commercial establishments.



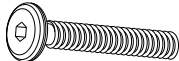

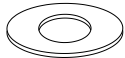

ASSEMBLY TIME

5 MINUTES

PARTS IDENTIFICATION

A	DRESSER FROM BOX ITEM #222733		1PC	B	MIRROR		1PC
C	FINIAL		2PCS	D	MIRROR SUPPORT (PACKED WITH DRESSER)		2PCS

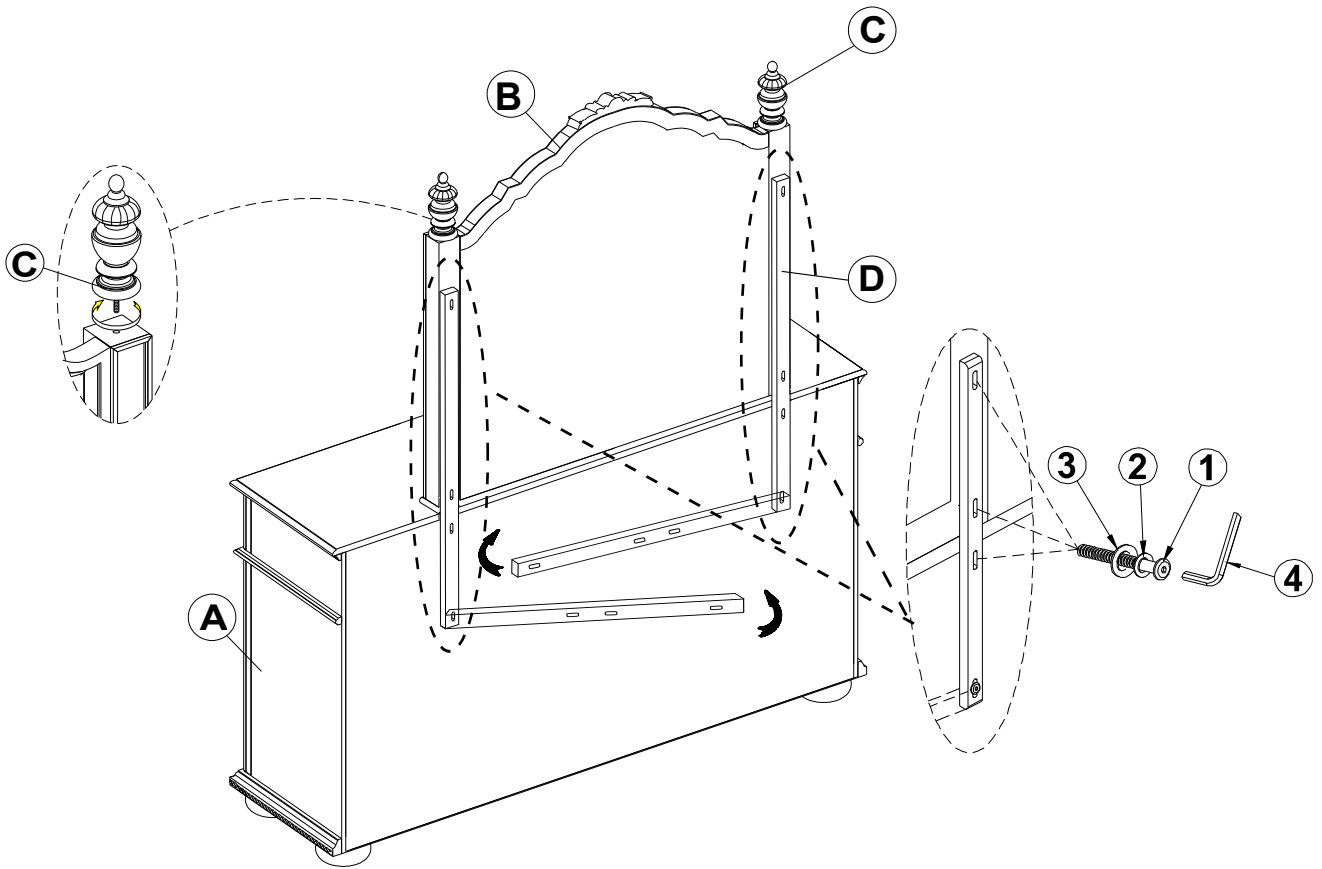
HARDWARE IDENTIFICATION

1	BOLT (Φ1/4" x 40mm - RBW)		6PCS	2	LOCK WASHER (Φ1/4" - RBW)		6PCS
3	FLAT WASHER (Φ1/4" - RBW)		6PCS	4	ALLEN WRENCH (4MM - RBW)		1PC

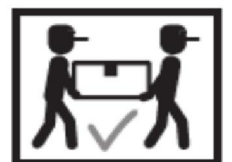
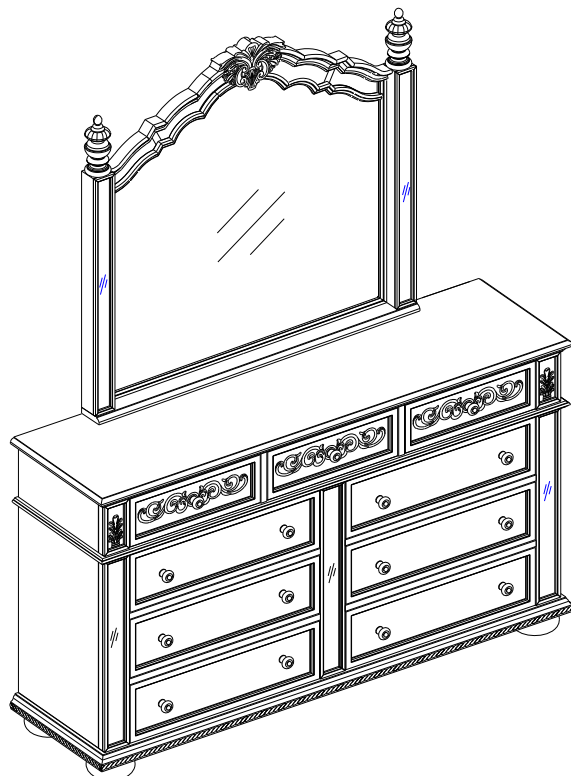
ITEM: **222734**

ASSEMBLY INSTRUCTIONS

STEP 1

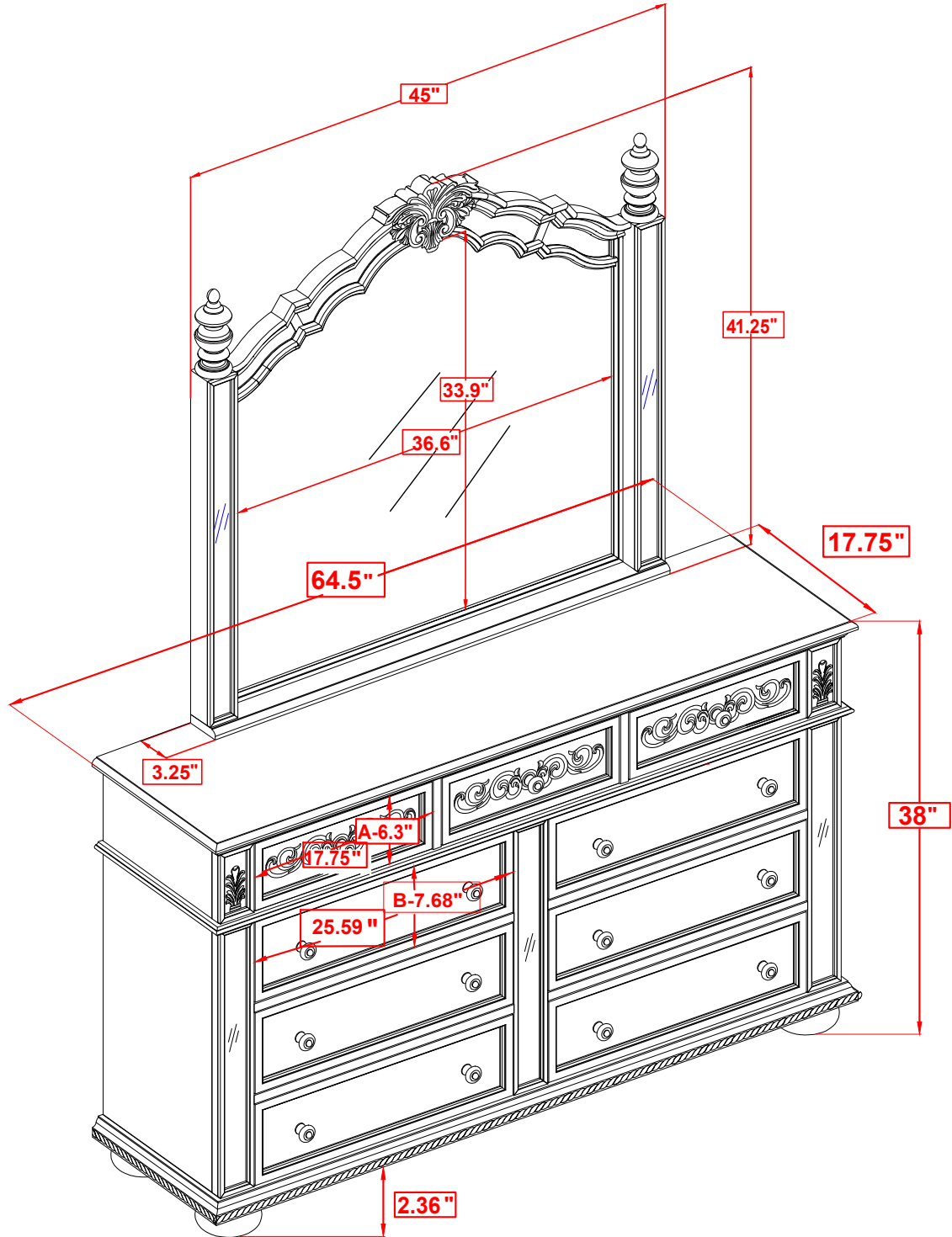


STEP 2
COMPLETE



ITEM: 222734

COASTER
FINE FURNITURE



Note : Dimension tolerance $\pm 5\%$

COASTERFURNITURE.COM