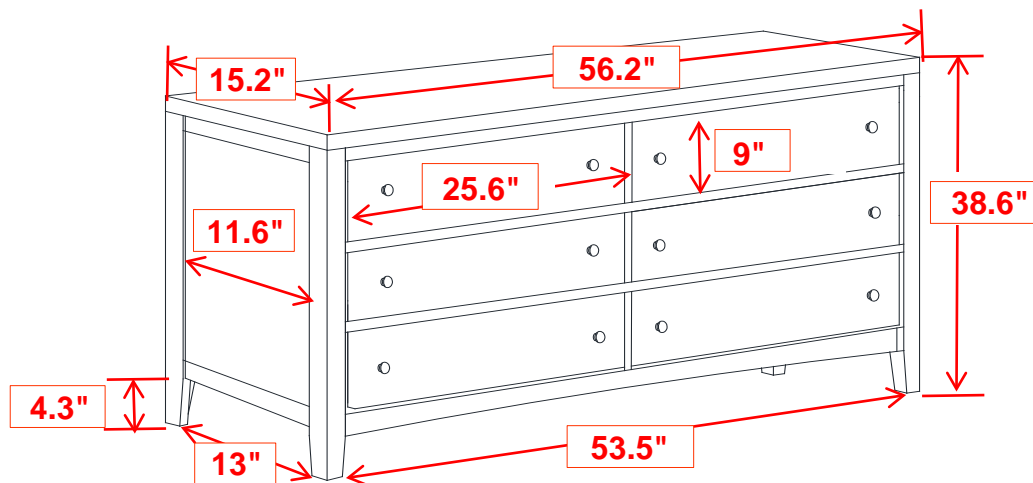


ITEM:202093

INNER SIZE OF DRAWER : 5.2" x 12.48" x 23"



Note : Dimension tolerance $\pm 5\%$