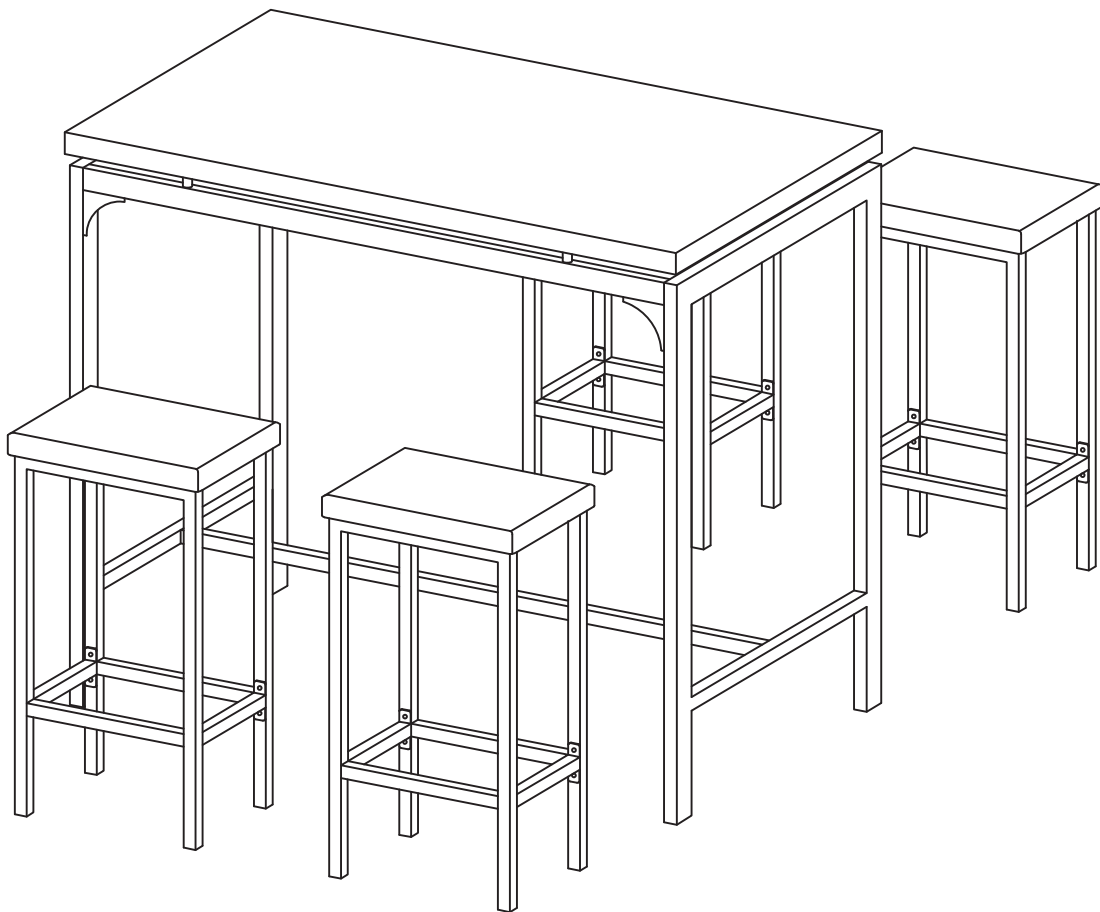


ASSEMBLY INSTRUCTIONS
COASTER FINE FURNITURE



Fine Furniture for every stage of life

182002
5pc Bar Set

REVISION 0 : 05/07/2019
REVISION 1 : 05/04/2021

COASTERFURNITURE.COM

ITEM:182002

ASSEMBLY INSTRUCTIONS



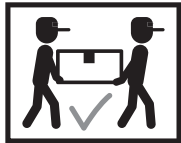
ASSEMBLY TIPS:

1. Remove hardware from box and sort by size.
2. Please check to see that all hardware and parts are present prior to start of assembly.
3. Please follow attached instructions in the same sequence as numbered to assure fast & easy assembly.



WARNING!







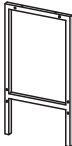
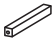

1. Don't attempt to repair or modify parts that are broken or defective. Please contact the store immediately.
2. This product is for home use only and not intended for commercial establishments.



ASSEMBLY TIME

20 MINUTES

PARTS IDENTIFICATION









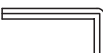
A	Table Top		1 PC
B	Table Side Frame		2 PCS
C	Table Top Crossbar		2 PCS
D	Table Bottom Crossbar		1 PC
E	Table Corner Support		4 PCS
F	Chair Seat		4 PCS
G	Chair Side Frame		8 PCS
H	Chair Top Crossbar		8 PCS
I	Chair Bottom Crossbar		8 PCS

NOTE:

QUANTITIES SHOWN ARE FOR ONE TABLE WITH FOUR CHAIRS

ITEM:182002

HARDWARE IDENTIFICATION

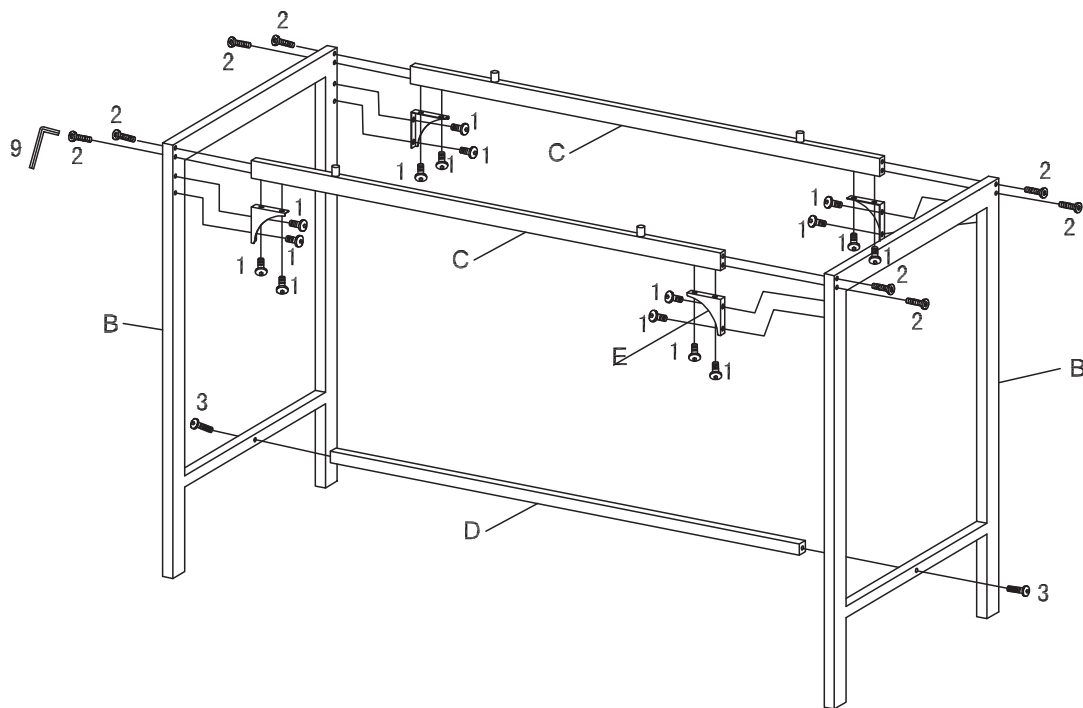
	DESCRIPTION	FIGURE	Q'TY
1	Bolt (M6x8MM)		16PCS
2	Bolt (M6x40MM)		8 PCS
3	Bolt (M6x50MM)		2 PCS
4	Bolt (M6x80MM)		4 PCS
5	Flat Gasket Ø16*Ø6.5*T2.0		4 PCS
6	Bolt (M6x12MM)		8X4 PCS
7	Bolt (M6x35MM)		4X4 PCS
8	Bolt (M6x45MM)		4X4PCS
9	Allen Wrench (M4)		1PC

NOTE:
QUANTITIES SHOWN ARE FOR ONE TABLE WITH FOUR CHAIRS

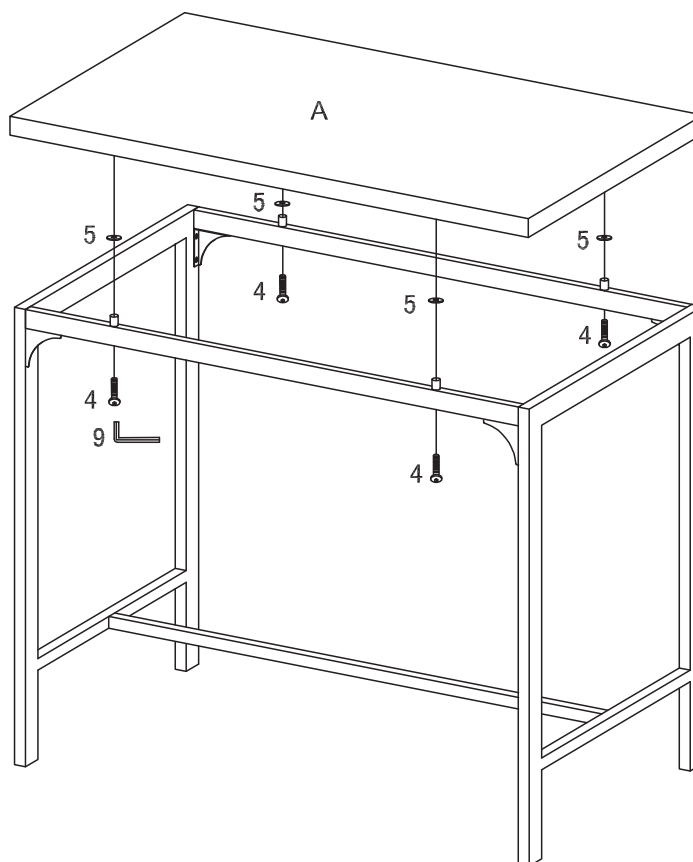
ITEM: 182002

ASSEMBLY INSTRUCTIONS

STEP 1



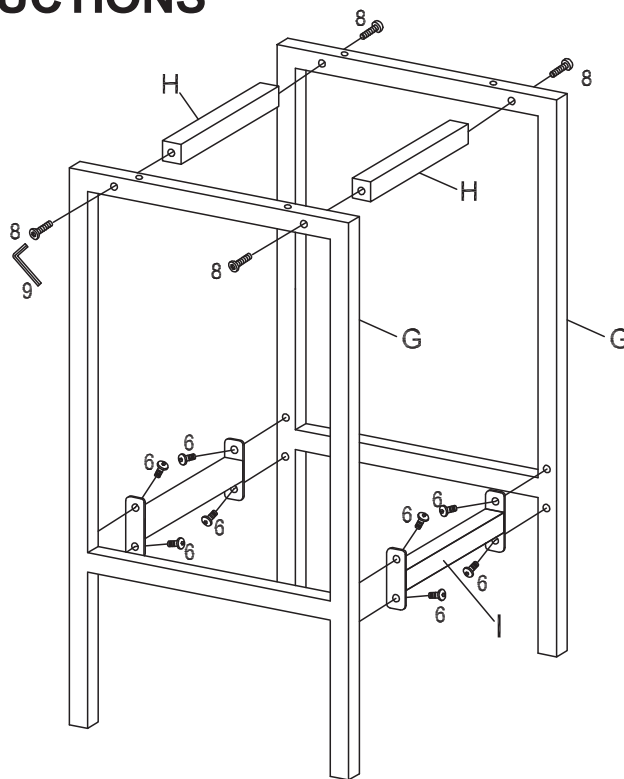
STEP 2



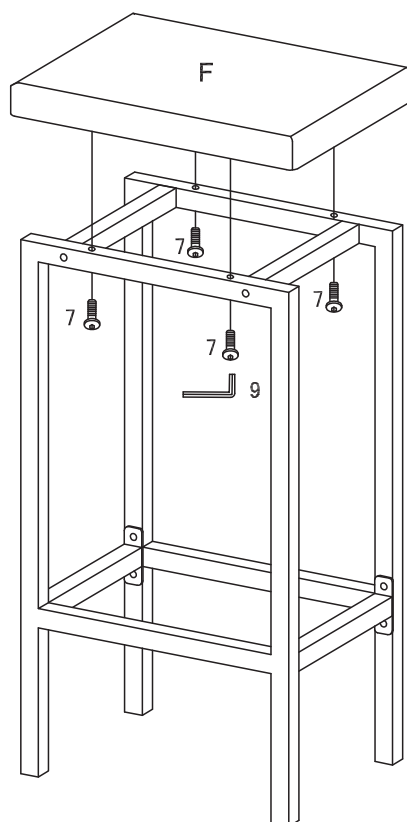
ITEM: 182002

ASSEMBLY INSTRUCTIONS

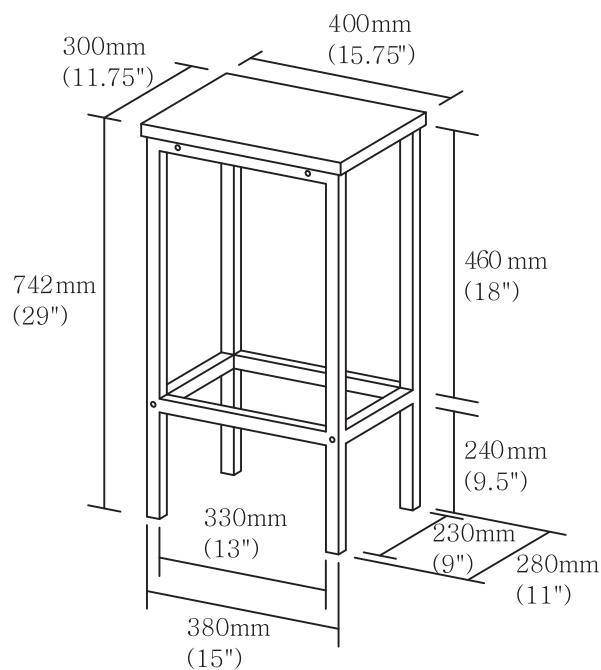
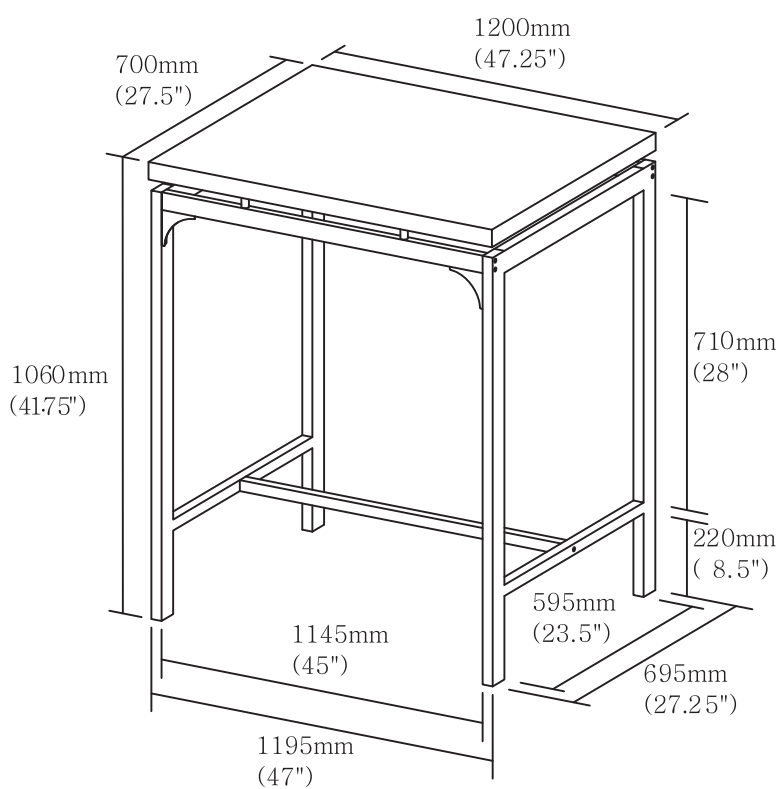
STEP 1



STEP 2



ITEM: 182002



Note: Dimension tolerance $\pm 5\%$