

ASSEMBLY INSTRUCTIONS
COASTER FINE FURNITURE



Fine Furniture for every stage of life

100220
Bar Stool

ITEM : 100220



ASSEMBLY INSTRUCTIONS

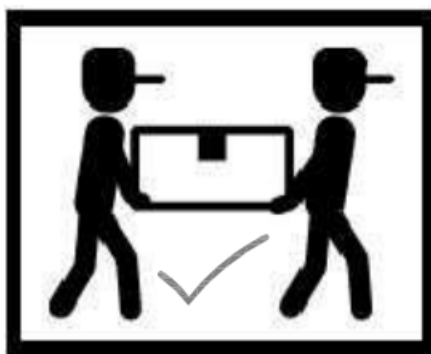
ASSEMBLY TIPS :

1. Remove hardware from box and sort by size.
2. Please check to see that all hardware and parts are present prior to start of assembly.
3. Please follow attached instructions in the same sequence as numbered to assure fast & easy assembly.



WARNING !


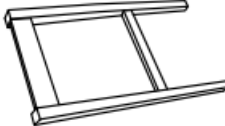
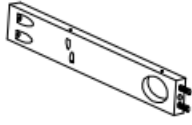
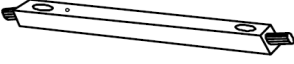

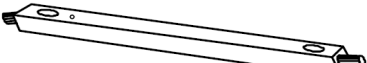


1. Don't attempt to repair or modify parts that are broken or defective. Please contact the store immediately.
2. This product is for home use only and not intended for commercial establishments.




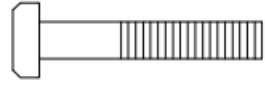



ASSEMBLY TIME

20 MINUTES

PARTS IDENTIFICATION

A	BACK FRAME		1PC
B	FRONT LEG FRAME		1PC
C	SIDE RAIL		2PCS
D1	RIGHT SHORT STRETCHER		1PC
E1	LEFT SHORT STRETCHER		1PC
F1	RIGHT LONG STRETCHER		1PC
G1	LEFT LONG STRETCHER		1PC
H	SEAT CUSHION		1PC

HARDWARE IDENTIFICATION

1	ALLEN WRENCH (M4 x 110MM - BLK)		1PC
2	BOLT (M6 x 50MM - RBW)		6PCS
3	LOCK WASHER (1/4" - BLK)		6PCS
4	SHORT PAN HEAD SCREW (#8 x 1" - BLK)		4PCS
5	LONG PAN HEAD SCREW (#8 x 1 1/2" - BLK)		8PCS

NOTE :

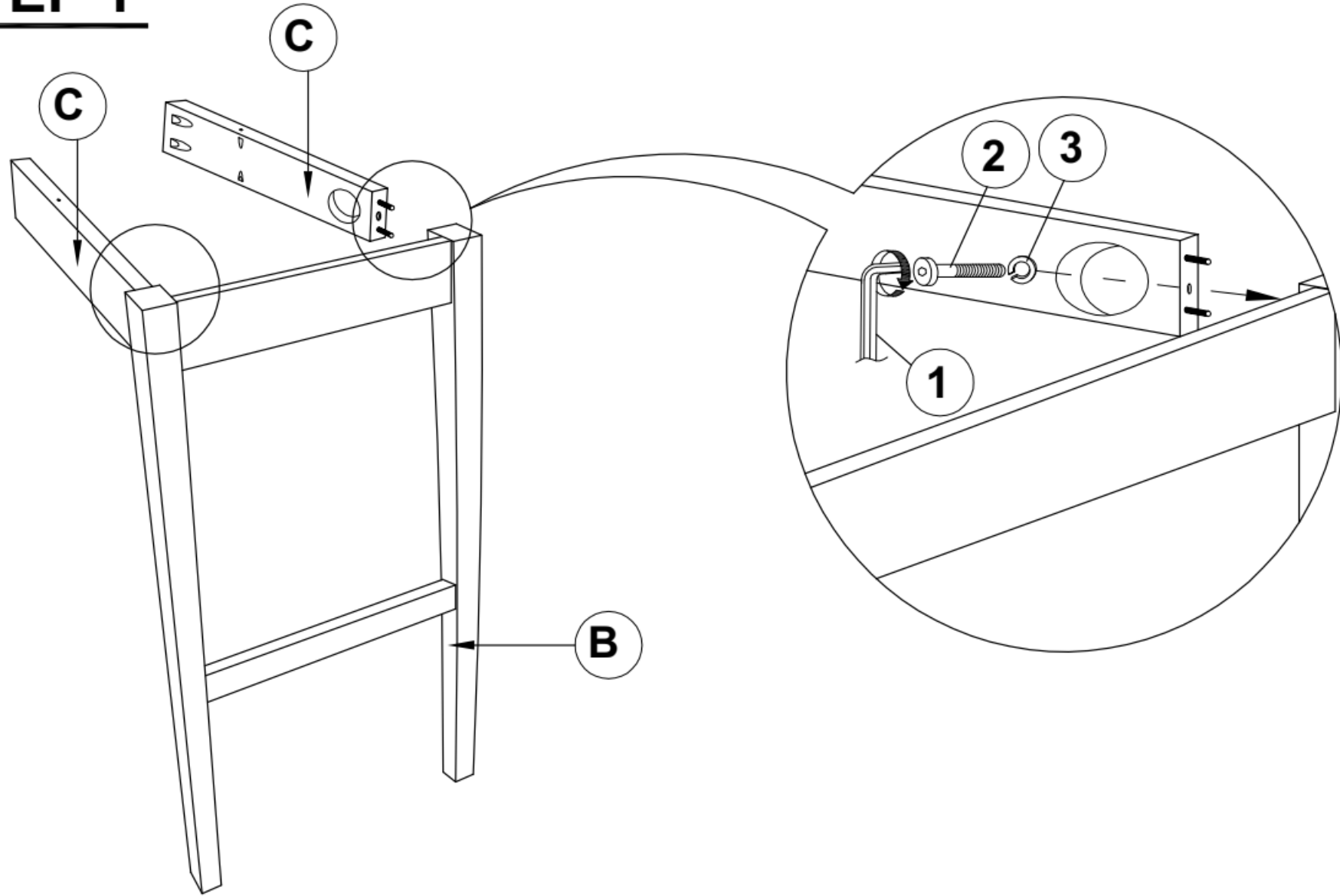
Phillips head screw driver is required in the assembly process; however, manufacturer not provide this item. Quantities shown are for one chair.

ITEM: **100220**

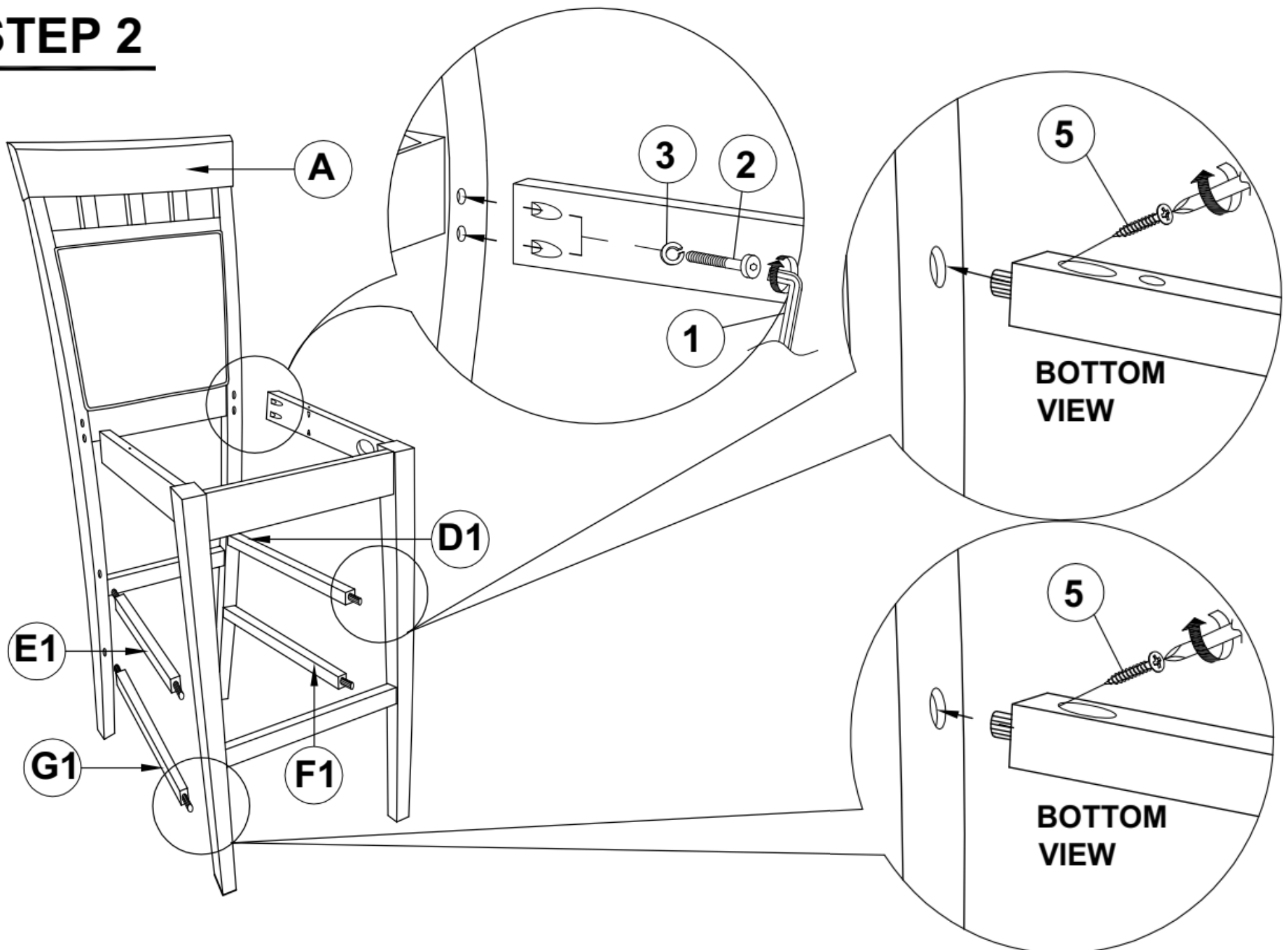


ASSEMBLY INSTRUCTIONS

STEP 1



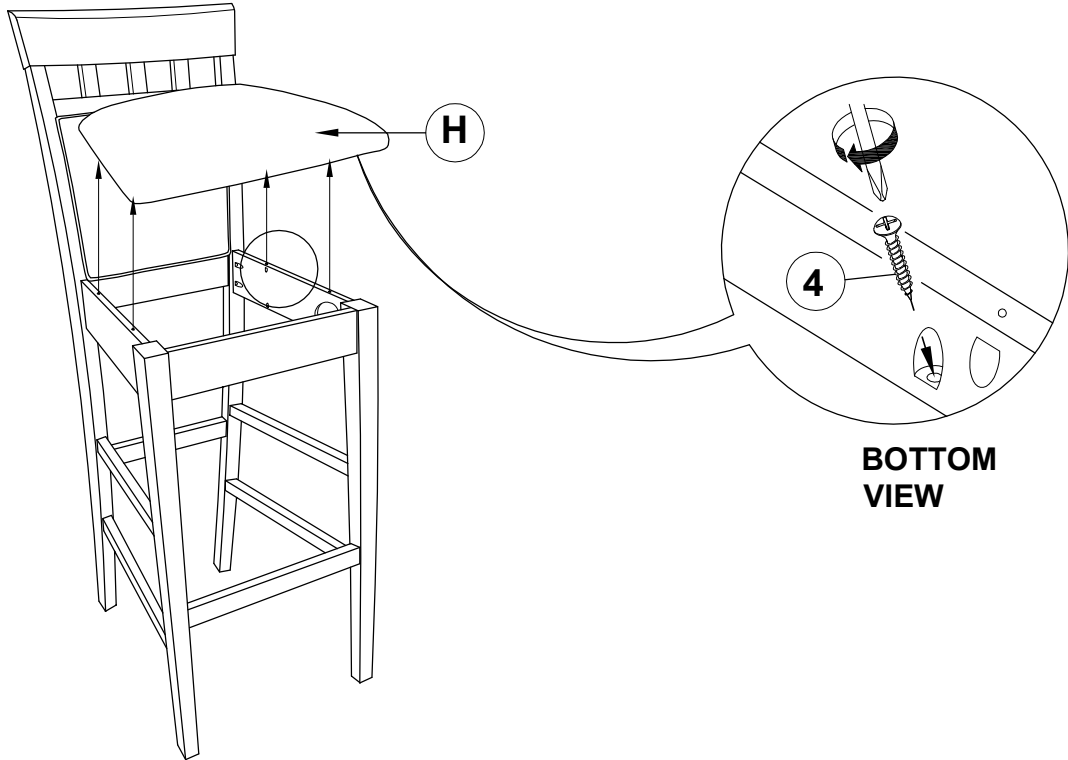
STEP 2



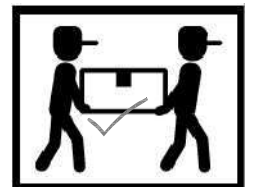
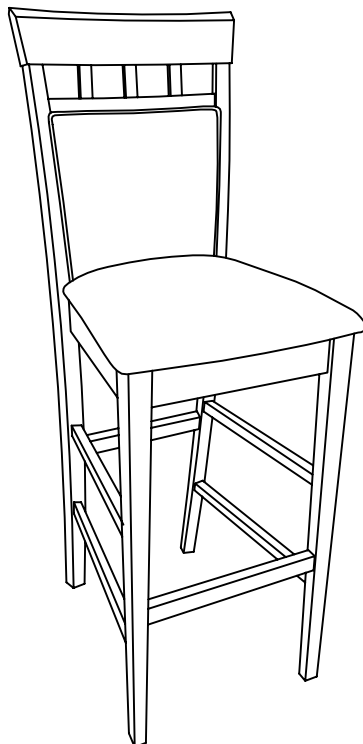
ITEM: **100220**

ASSEMBLY INSTRUCTIONS

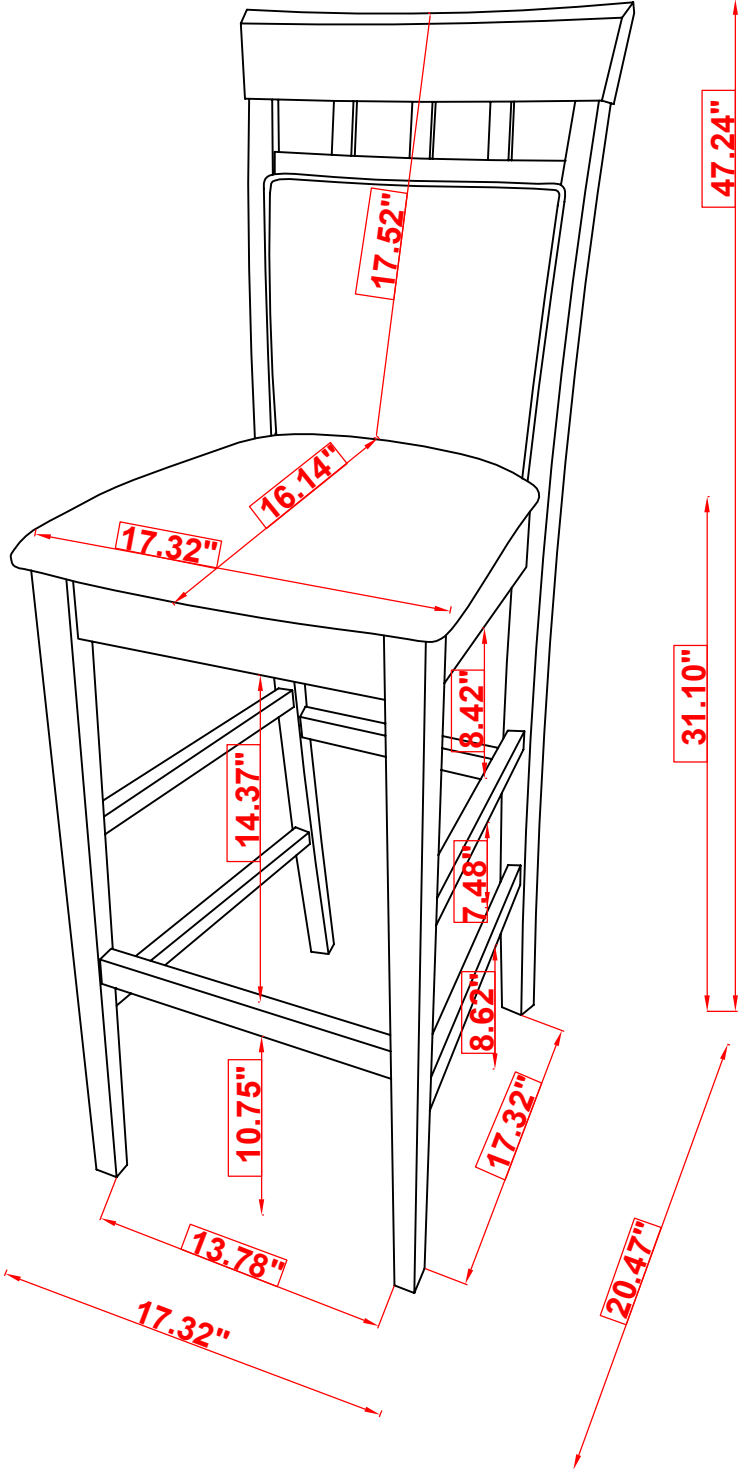
STEP 3



STEP 4
COMPLETE



ITEM: **100220**



Note : Dimension tolerance $\pm 5\%$