

ASSEMBLY INSTRUCTIONS
COASTER FINE FURNITURE



Fine Furniture for every stage of life

200704
Mirror

ITEM: **200704**

ASSEMBLY INSTRUCTIONS

ASSEMBLY TIPS:

1. Remove hardware from box and sort by size.
2. Please check to see that all hardware and parts are present prior to start of assembly.
3. Please follow attached instructions in the same sequence as numbered to assure fast & easy assembly.



WARNING!

1. Don't attempt to repair or modify parts that are broken or defective. Please contact the store immediately.
2. This product is for home use only and not intended for commercial establishments.

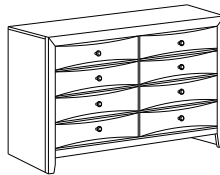


ASSEMBLY TIME

10 MINUTES

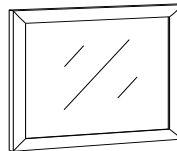
PARTS IDENTIFICATION

A DRESSER
FROM BOX ITEM
#200703



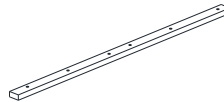
1PC

B MIRROR



1PC

C MIRROR SUPPORT
(PACKED WITH MIRROR)



2PCS

HARDWARE IDENTIFICATION

1 FLAT HEAD SCREW
(M4 x 32mm - RBW)

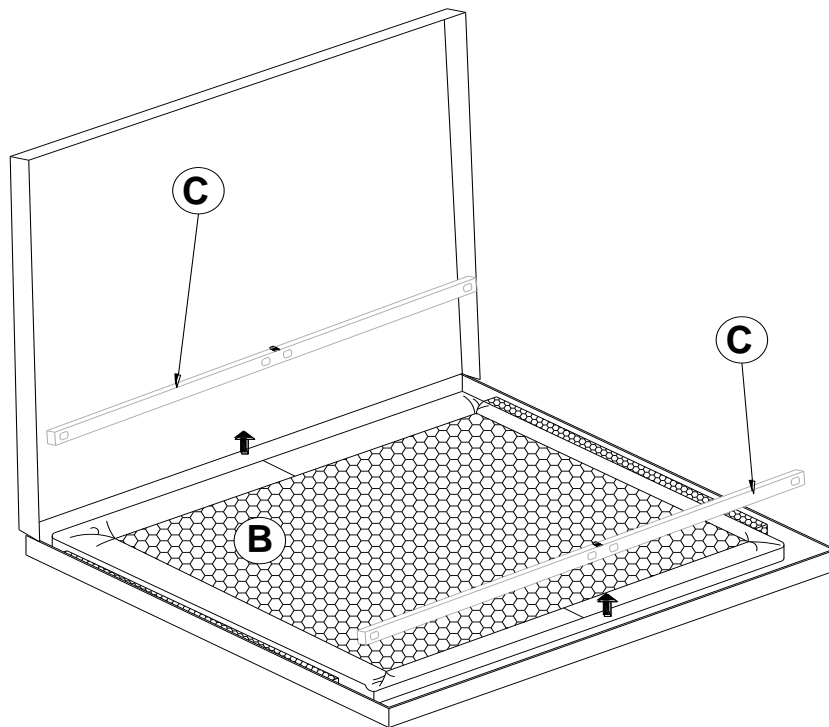


12PCS

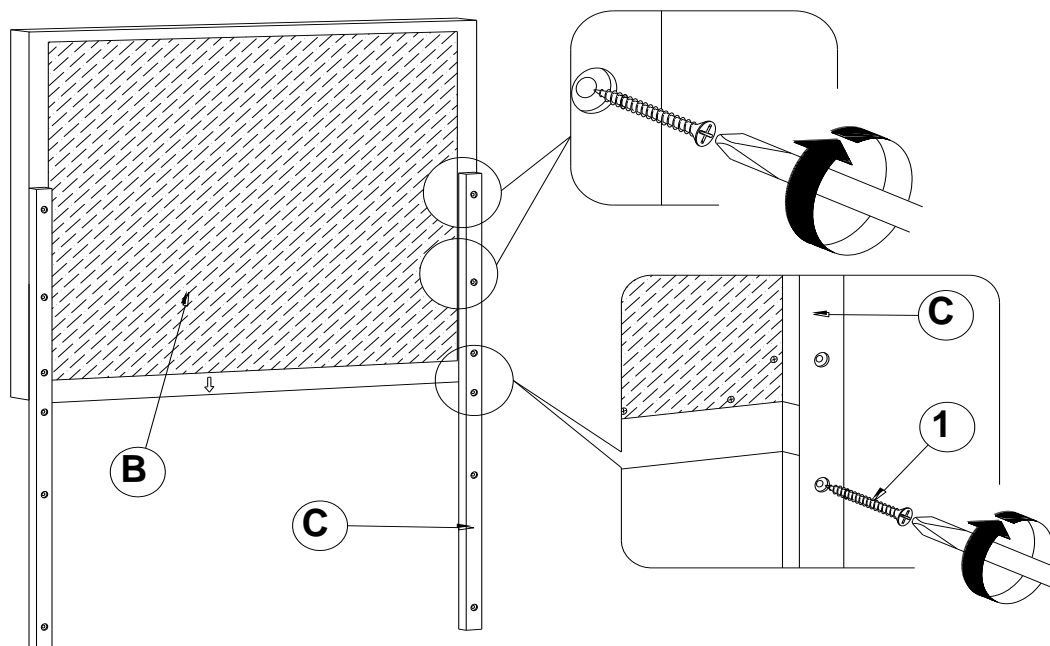
ITEM: 200704

ASSEMBLY INSTRUCTIONS

STEP 1



STEP 2

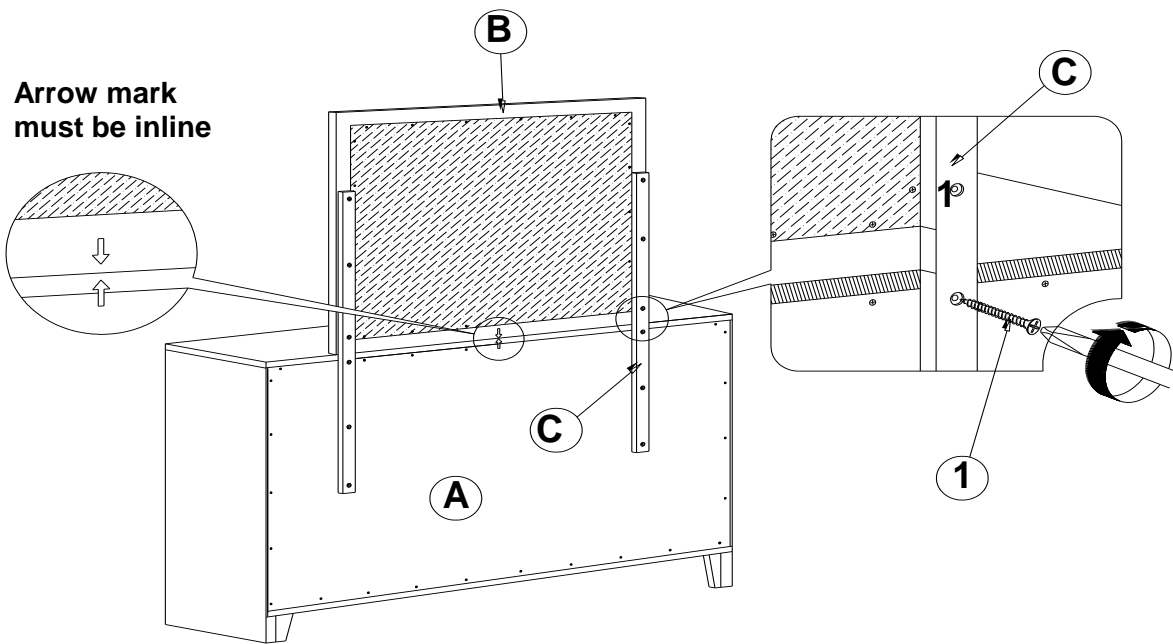


****BACK VIEW****

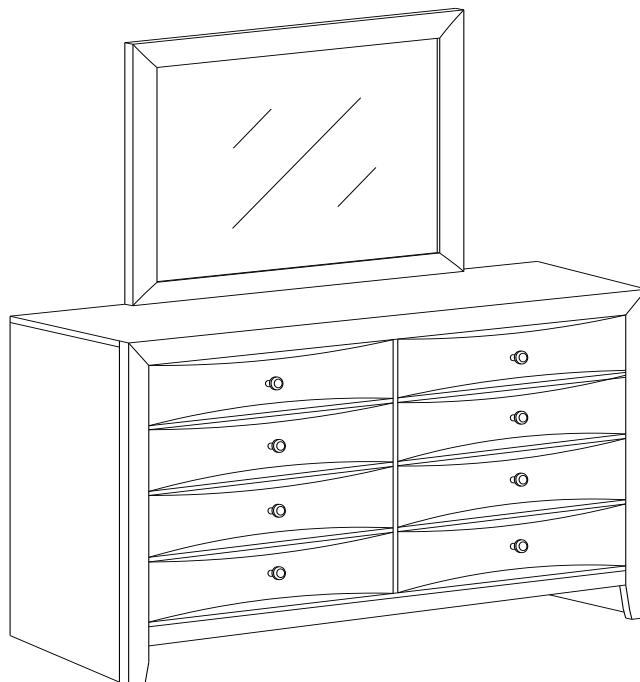
ITEM: **200704**

ASSEMBLY INSTRUCTIONS

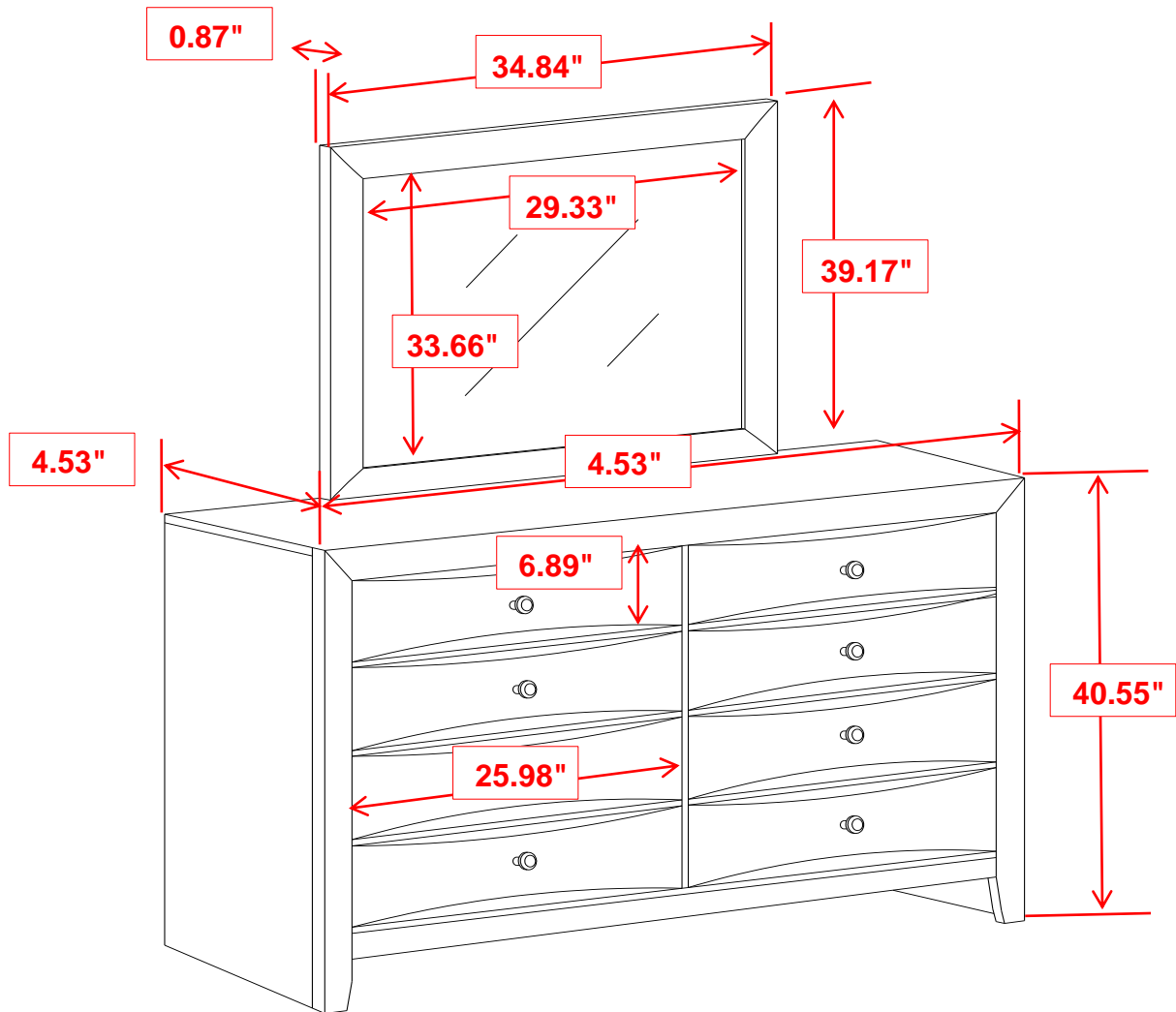
STEP 3



STEP 4 COMPLETE



ITEM: 200704



Note : Dimension tolerance $\pm 5\%$