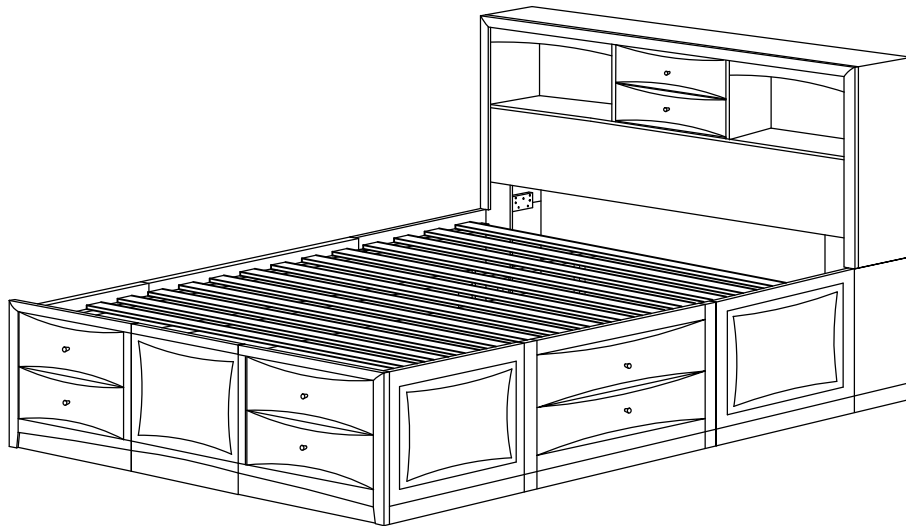




ASSEMBLY INSTRUCTIONS COASTER FINE FURNITURE



Fine Furniture for every stage of life

200409KE(B1-B4)

Eastern King Storage Bed

REVISION 0 : 05/14/2008
REVISION 1 : 11/20/2012
REVISION 2 : 08/28/2018
REVISION 3 : 11/11/2019
REVISION 4 : 08/07/2020
REVISION 5 : 01/12/2021

PAGE 1 OF 7

COASTERFURNITURE.COM

ITEM: 200409KE(B1-B4)



ASSEMBLY INSTRUCTIONS

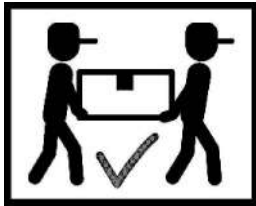
ASSEMBLY TIPS:

1. Remove hardware from box and sort by size.
2. Please check to see that all hardware and parts are present prior to start of assembly.
3. Please follow attached instructions in the same sequence as numbered to assure fast & easy assembly.



WARNING!

1. Don't attempt to repair or modify parts that are broken or defective. Please contact the store immediately.
2. This product is for home use only and not intended for commercial establishments.


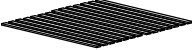







ASSEMBLY TIME

50 MINUTES

PARTS IDENTIFICATION

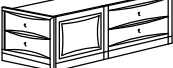
B1 (BOX 1)

| | | | |
|----|----------------------------------|---|------|
| 1 | HEADBOARD |  | 1PC |
| 5 | ROLL SLAT (14PCS) |  | 1SET |
| 6 | BOTTOM TRESTLE BAR |  | 1PC |
| 7 | CENTER RAIL |  | 1PC |
| 8 | CENTER RAIL SUPPORT WITH LEVELER |  | 2PCS |
| 9 | CROSSBAR |  | 1PC |
| 10 | RAIL TOP |  | 1PC |

B2 (BOX 2)

| | | | |
|----|------------------|---|-----|
| 4L | LEFT STORAGE BOX |  | 1PC |
|----|------------------|---|-----|

B3 (BOX 3)

| | | | |
|----|-------------------|---|-----|
| 4R | RIGHT STORAGE BOX |  | 1PC |
|----|-------------------|---|-----|

B4 (BOX 4)

| | | | |
|----|------------------------|---|-----|
| 2L | LEFT SIDE PANEL |  | 1PC |
| 2R | RIGHT SIDE PANEL |  | 1PC |
| 3 | FOOTBOARD CENTER PANEL |  | 1PC |

ITEM: 200409KE(B1-B4)



ASSEMBLY INSTRUCTIONS

ASSEMBLY TIPS:

1. Remove hardware from box and sort by size.
2. Please check to see that all hardware and parts are present prior to start of assembly.
3. Please follow attached instructions in the same sequence as numbered to assure fast & easy assembly.










WARNING!

1. Don't attempt to repair or modify parts that are broken or defective. Please contact the store immediately.
2. This product is for home use only and not intended for commercial establishments.

HARDWARE IDENTIFICATION

Z-B1 (BOX 1) - HARDWARE PACK IS LOCATED IN 200409KE(B1)

| | | | |
|---|---|---|-------|
| A | ALLEN WRENCH (M4 x 110mm - BLK) |  | 1PC |
| B | LONG BOLT (M6 x 60mm - BLK) |  | 10PCS |
| C | SHORT BOLT (M6 x 30mm - BLK) |  | 4PCS |
| D | WOOD DOWEL (M8 x 30mm) |  | 8PCS |
| E | LONG FLAT HEAD SCREW (M4 x 32mm - BLK) |  | 34PCS |
| F | SHORT FLAT HEAD SCREW (M4 x 16mm - BLK) |  | 6PCS |
| G | LONG BOLT (M6 x 60mm - BLK) |  | 2PCS |

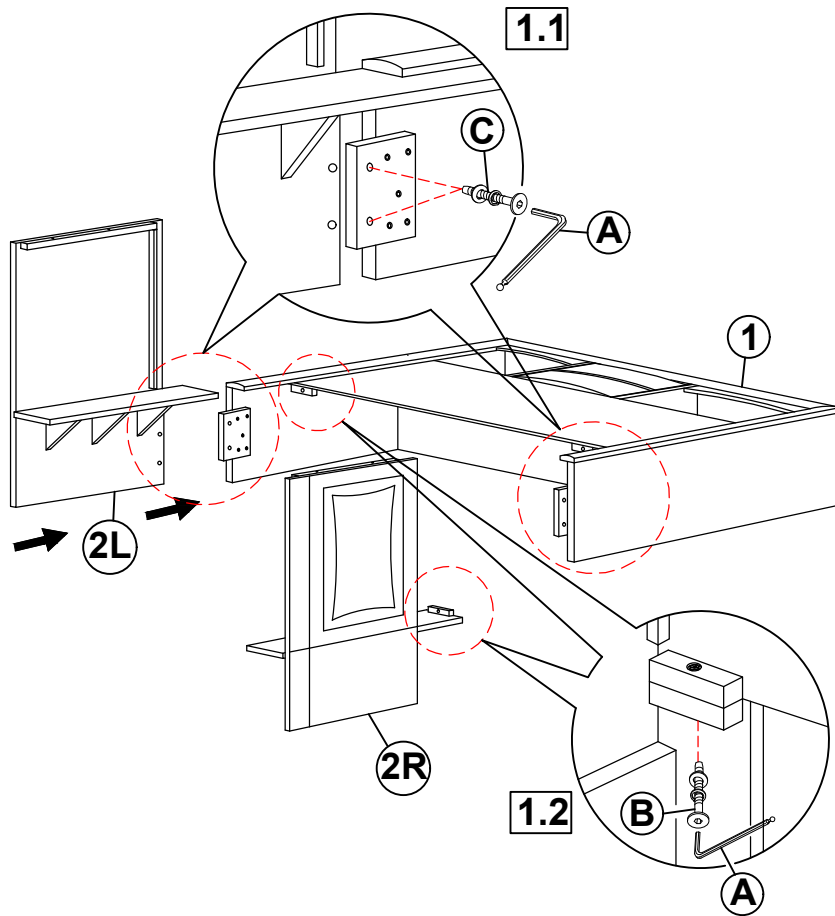
NOTE:

Phillips head screw driver is required in the assembly process; however, manufacturer does not provide this item.

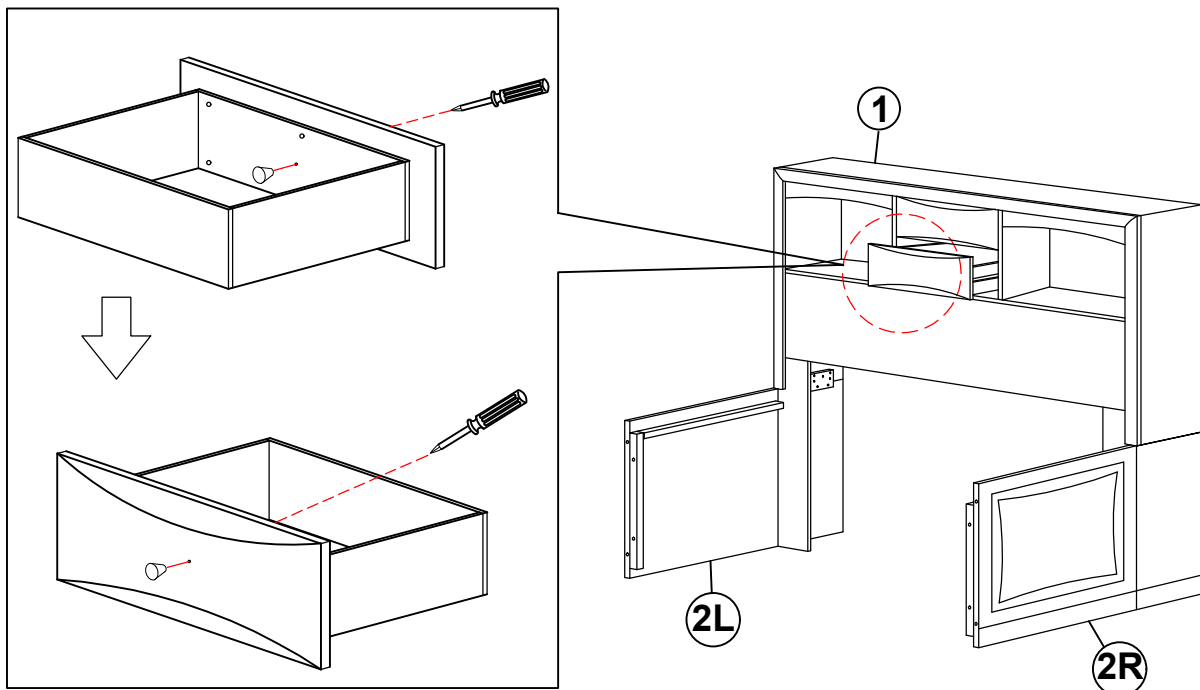
ITEM: **200409KE(B1-B4)**



ASSEMBLY INSTRUCTIONS
STEP 1



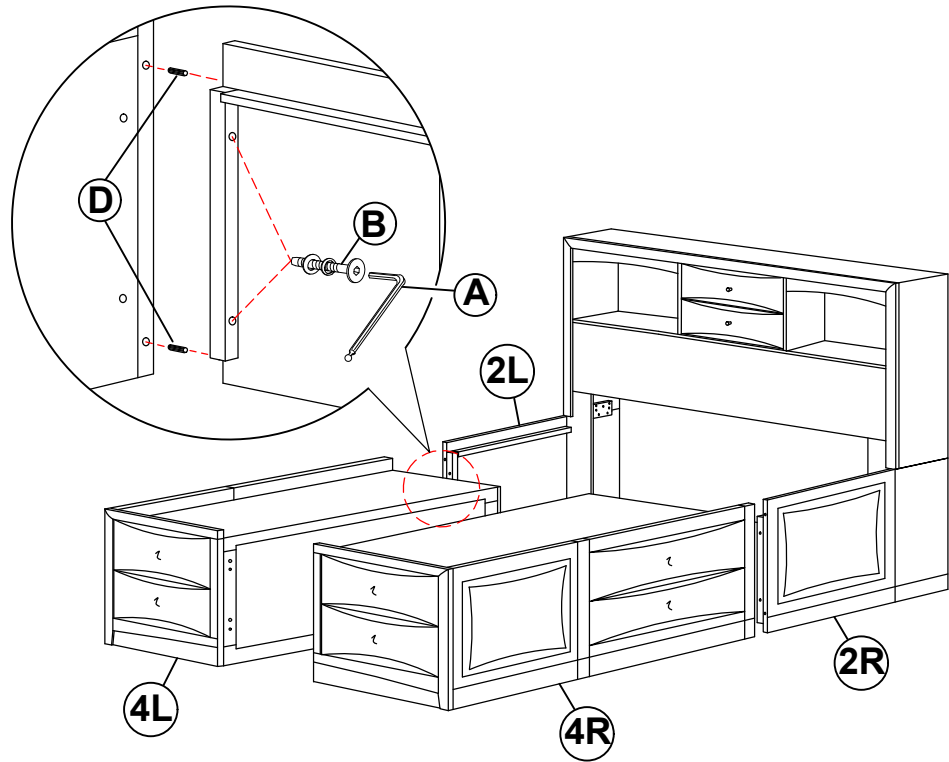
STEP 2



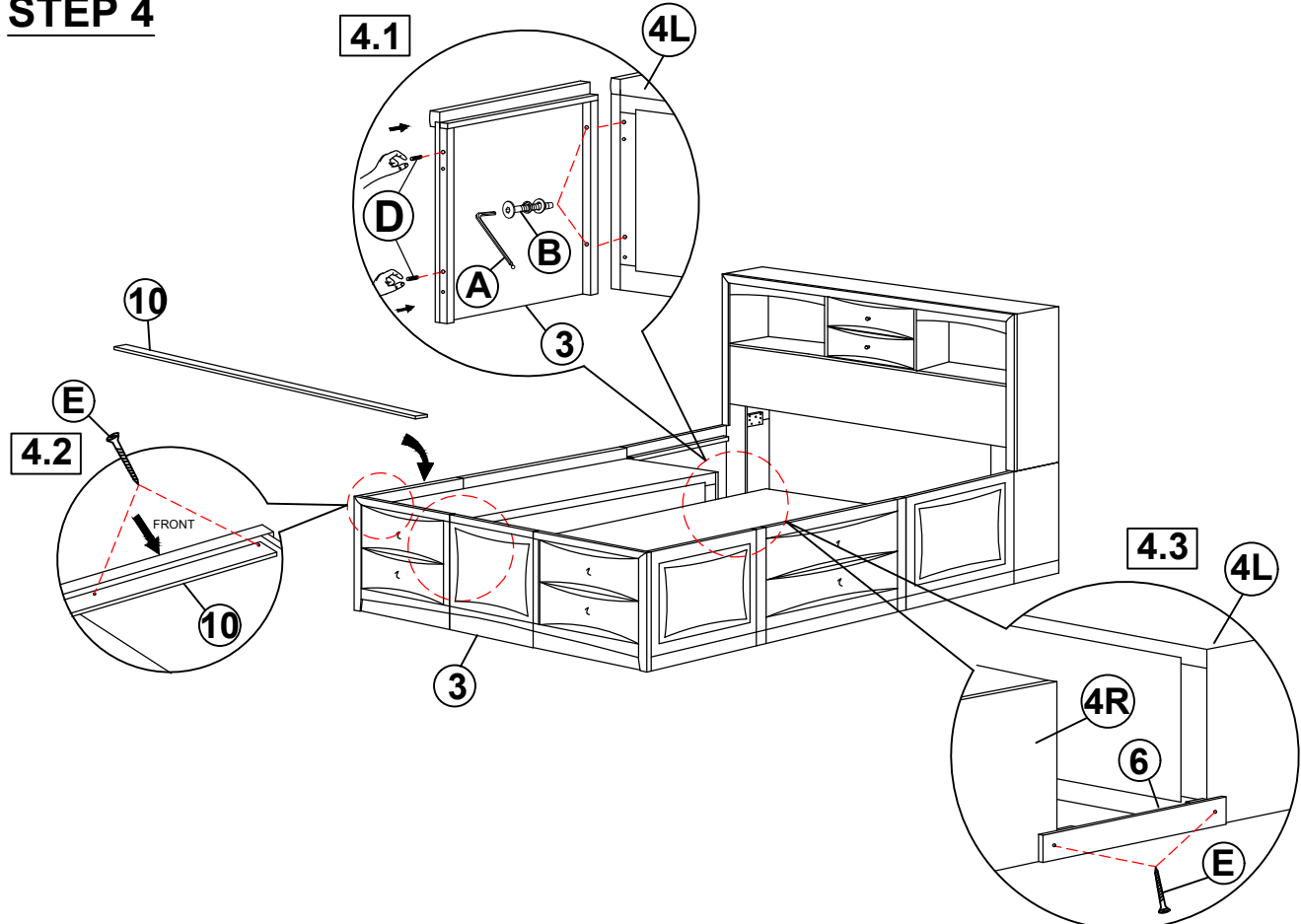
ITEM: **200409KE(B1-B4)**



ASSEMBLY INSTRUCTIONS
STEP 3



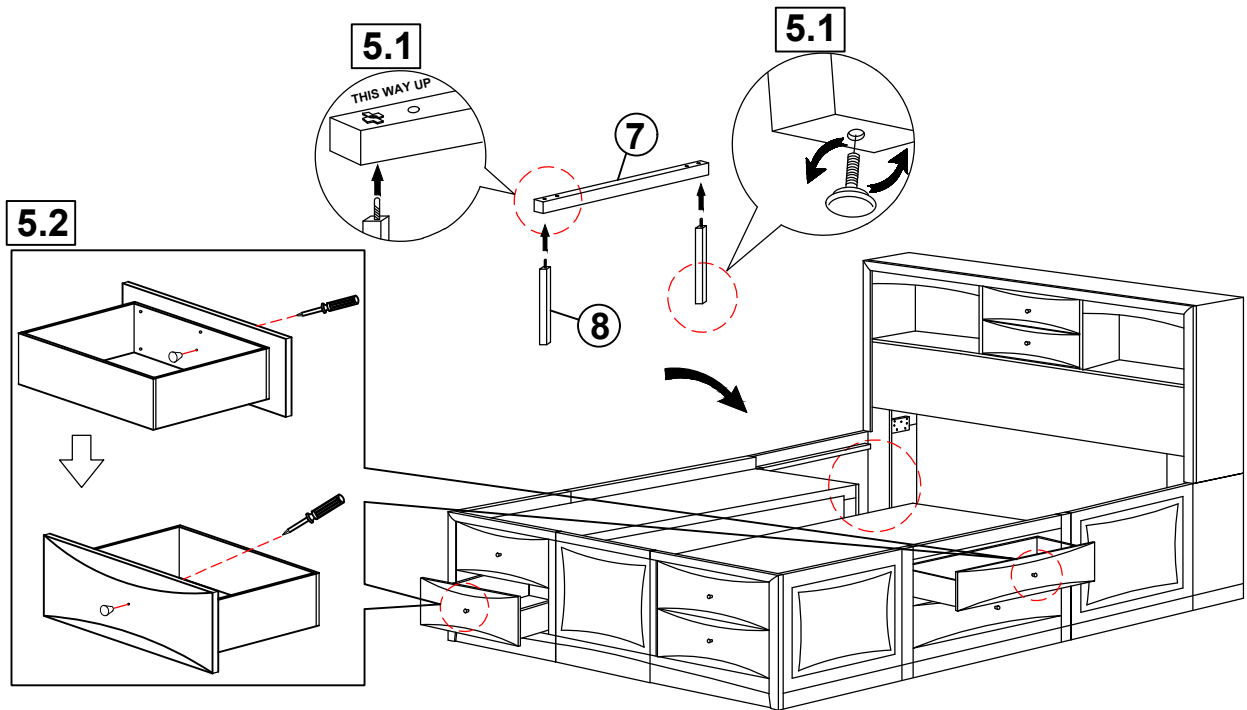
STEP 4



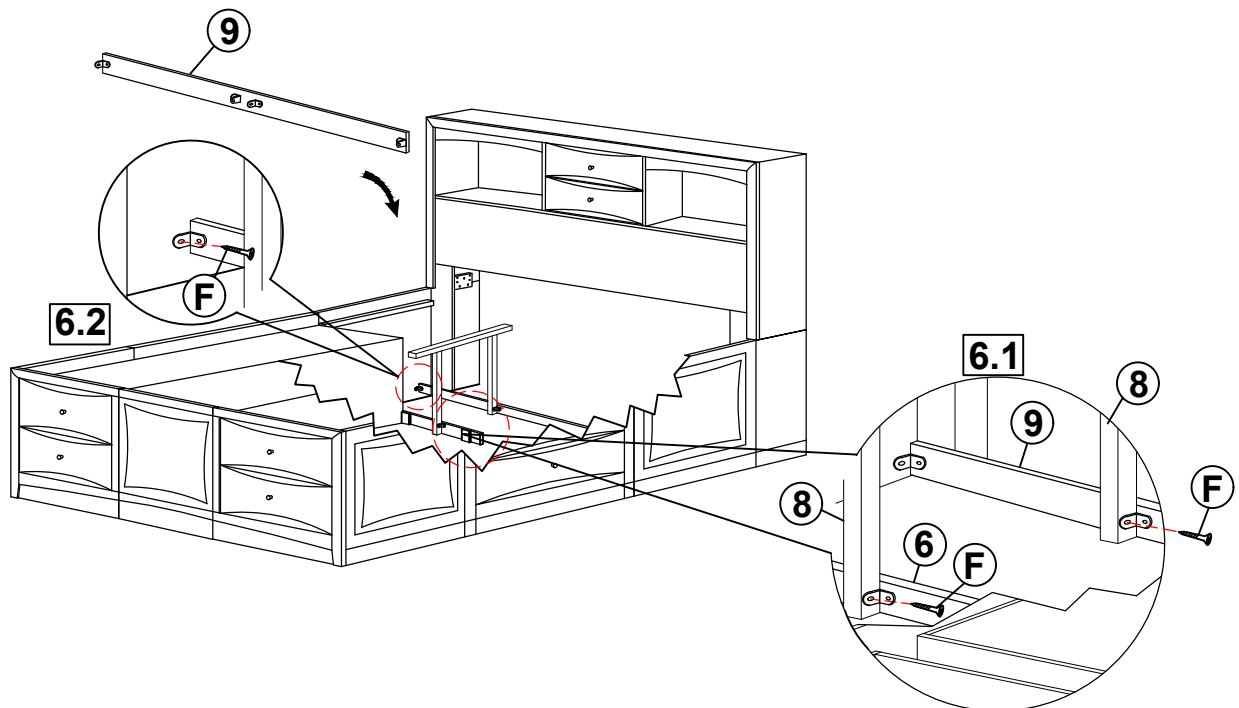
ITEM: **200409KE(B1-B4)**



ASSEMBLY INSTRUCTIONS
STEP 5



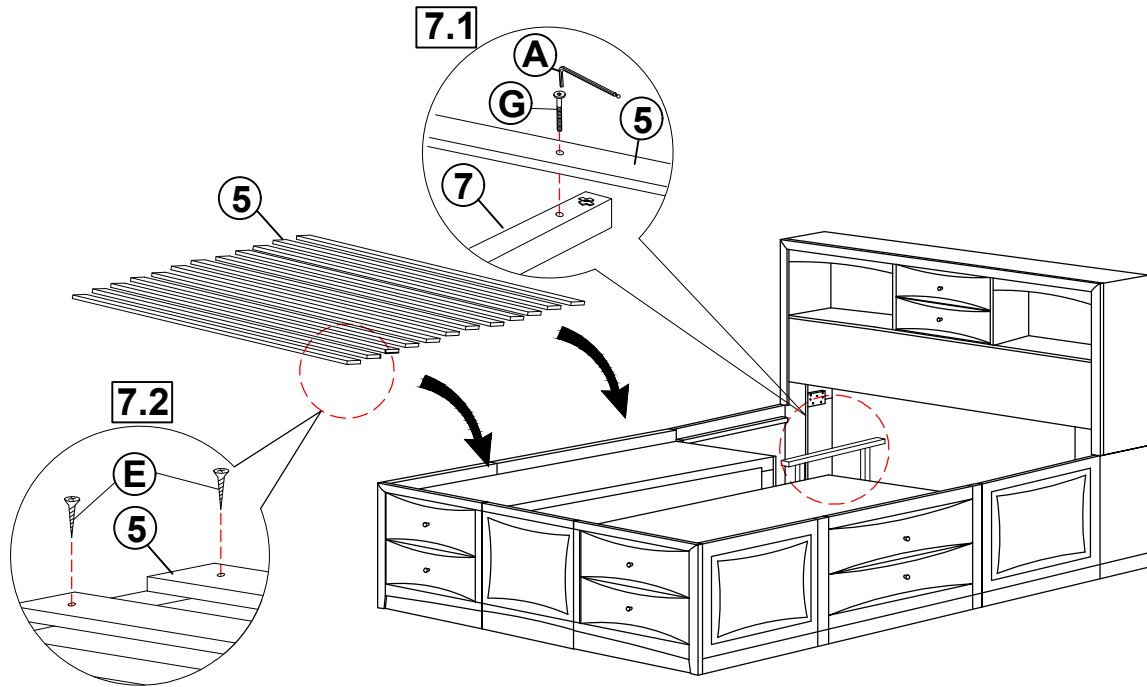
STEP 6



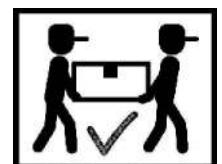
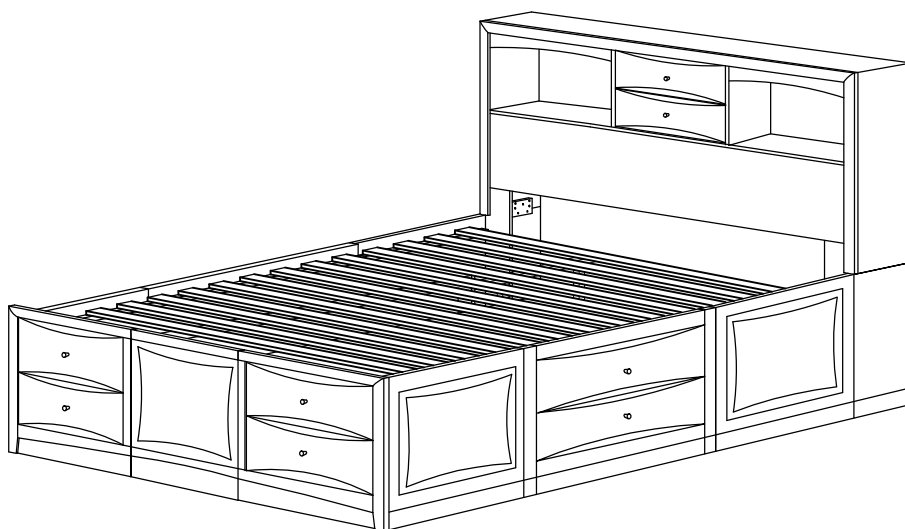
ITEM: **200409KE(B1-B4)**



ASSEMBLY INSTRUCTIONS
STEP 7



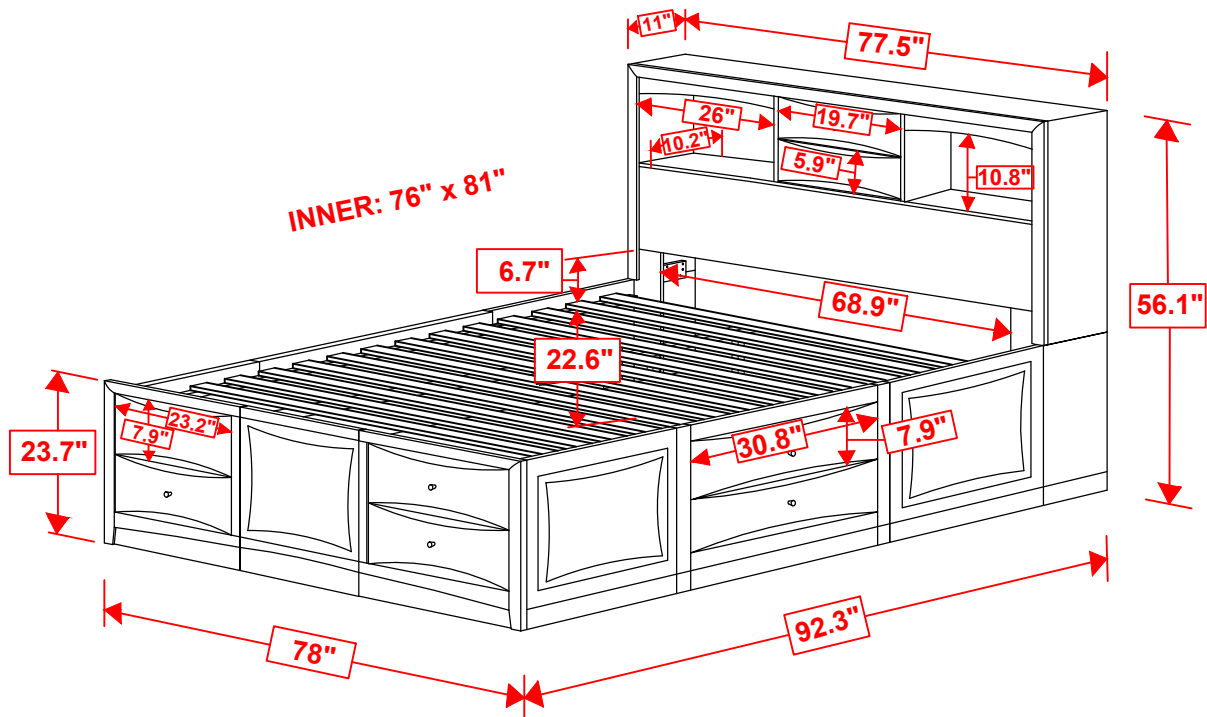
STEP 8
COMPLETE



ITEM: 200409KE(B1-B4)



INNER SIZE OF DRAWER A : 4.1" x 8.9" x 18.1"
INNER SIZE OF DRAWER B : 5.7" x 17" x 29.3"
INNER SIZE OF DRAWER C : 5.7" x 17" x 21.8"



NOTE : DIMENSION TOLERANCE \pm 5%

COASTERFURNITURE.COM