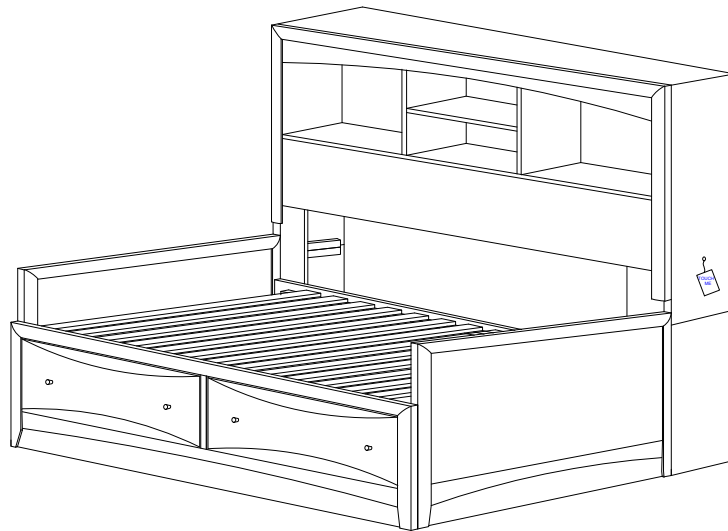


ASSEMBLY INSTRUCTIONS COASTER FINE FURNITURE



Fine Furniture for every stage of life

400410T(B1-B3) ***Twin Storage Bed***

REVISION 0 : 01/30/2011
REVISION 1 : 02/01/2012
REVISION 2 : 11/15/2016
REVISION 3 : 08/27/2018
REVISION 4 : 12/27/2018
REVISION 5 : 12/02/2019
REVISION 6 : 12/28/2020

ITEM: 400410T(B1-B3)



ASSEMBLY INSTRUCTIONS

ASSEMBLY TIPS:

1. Remove hardware from box and sort by size.
2. Please check to see that all hardware and parts are present prior to start of assembly.
3. Please follow attached instructions in the same sequence as numbered to assure fast & easy assembly.



WARNING!

1. Don't attempt to repair or modify parts that are broken or defective. Please contact the store immediately.
2. This product is for home use only and not intended for commercial establishments.



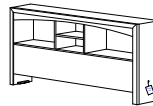
ASSEMBLY TIME

45 MINUTES

PARTS IDENTIFICATION

B1 (BOX 1)

B HEADBOARD PANEL



1PC

C LEFT HEADBOARD LEG



1PC

D RIGHT HEADBOARD LEG



1PC

X KNOB WITH SCREW



4SETS

B2 (BOX 2)

G LEFT SIDE PANEL



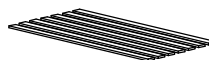
1PC

H RIGHT SIDE PANEL



1PC

J ROLL SLAT (7PCS)



2SETS

ITEM: 400410T(B1-B3)



ASSEMBLY INSTRUCTIONS

ASSEMBLY TIPS:

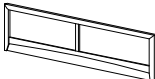









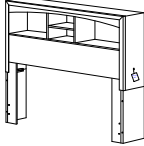
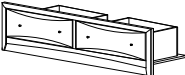
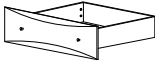
1. Remove hardware from box and sort by size.
2. Please check to see that all hardware and parts are present prior to start of assembly.
3. Please follow attached instructions in the same sequence as numbered to assure fast & easy assembly.



WARNING!

1. Don't attempt to repair or modify parts that are broken or defective. Please contact the store immediately.
2. This product is for home use only and not intended for commercial establishments.

B3 (BOX 3)

E	FOOTBOARD FRAME		1PC
F	DRAWER SUPPORT FRAME		1PC
I	BED RAIL		1PC
K	FOOTBOARD SUPPORT LEG		3PCS
A1	DRAWER FRONT PANEL		2PCS
A2	DRAWER BACK PANEL		2PCS
A3	DRAWER LEFT SIDE PANEL		2PCS
A4	DRAWER RIGHT SIDE PANEL		2PCS
A5	DRAWER SUPPORT BAR		2PCS
A6	DRAWER BOTTOM PANEL		2PCS
HB	400410T(B1) FROM BOX 1 HEADBOARD COMPLETE		1PC
FB	400410T(B3) FROM BOX 3 FOOTBOARD COMPLETE		1PC
DR	400410T(B3) FROM BOX 3 DRAWER COMPLETE		2PCS

ITEM: 400410T(B1-B3)



ASSEMBLY INSTRUCTIONS

ASSEMBLY TIPS:

1. Remove hardware from box and sort by size.
2. Please check to see that all hardware and parts are present prior to start of assembly.
3. Please follow attached instructions in the same sequence as numbered to assure fast & easy assembly.





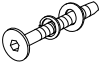
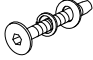




WARNING!

1. Don't attempt to repair or modify parts that are broken or defective. Please contact the store immediately.
2. This product is for home use only and not intended for commercial establishments.

HARDWARE IDENTIFICATION

Z-B1 (BOX 1) - HARDWARE PACK IS LOCATED IN 400410T (B1)

1	CAM BOLT (T24 - SR)		20PCS
2	CAM NUT (D15 x 9.5mm - SR)		20PCS
3	SMALL WOOD DOWEL (M6 x 30mm)		24PCS
4	FLAT HEAD SCREW (M4 x 32mm - BLK)		28PCS
5	LONG BOLT WITH WASHER (M6 x 60mm - BLK)		10PCS
6	SHORT BOLT WITH WASHER (M6 x 40mm - BLK)		12PCS
7	BIG WOOD DOWEL (M8 x 30mm)		14PCS
8	ALLEN WRENCH (M4 x 110mm - BLK)		1PC

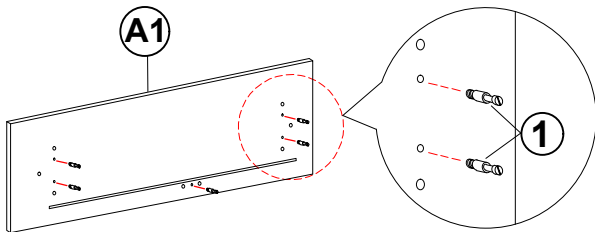
NOTE:

Phillips head screw driver is required in the assembly process; however, manufacturer does not provide this item.

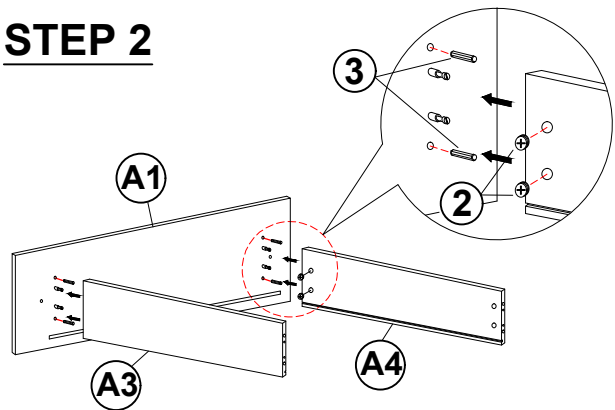
ITEM: 400410T(B1-B3)

ASSEMBLY INSTRUCTIONS

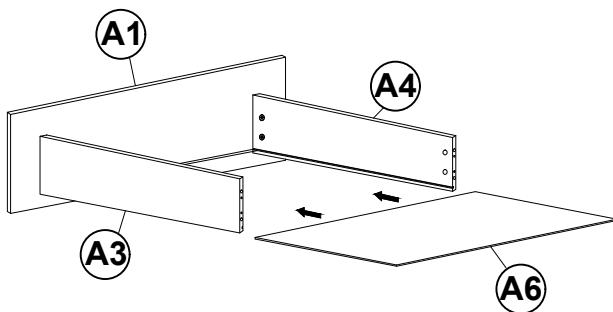
STEP 1



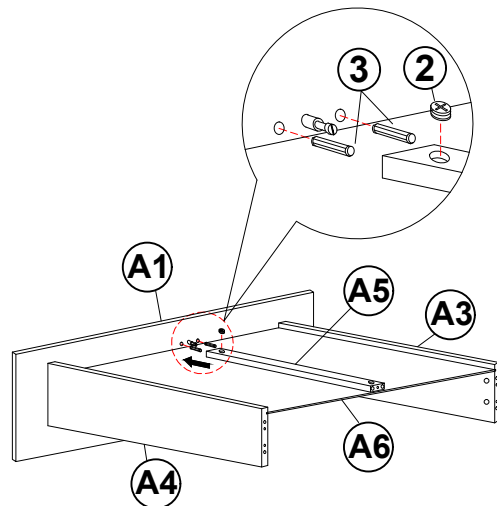
STEP 2



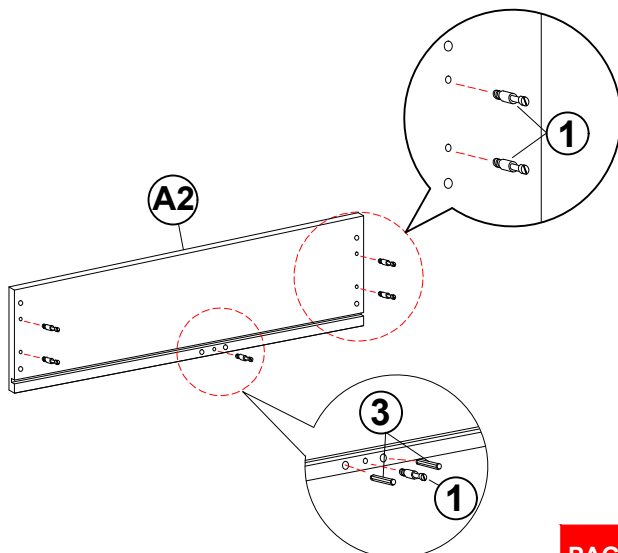
STEP 3



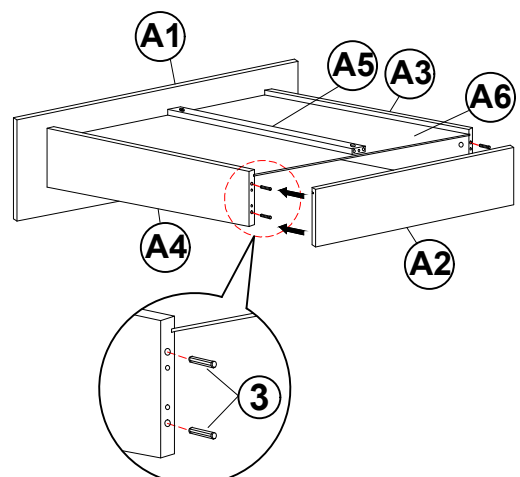
STEP 4



STEP 5



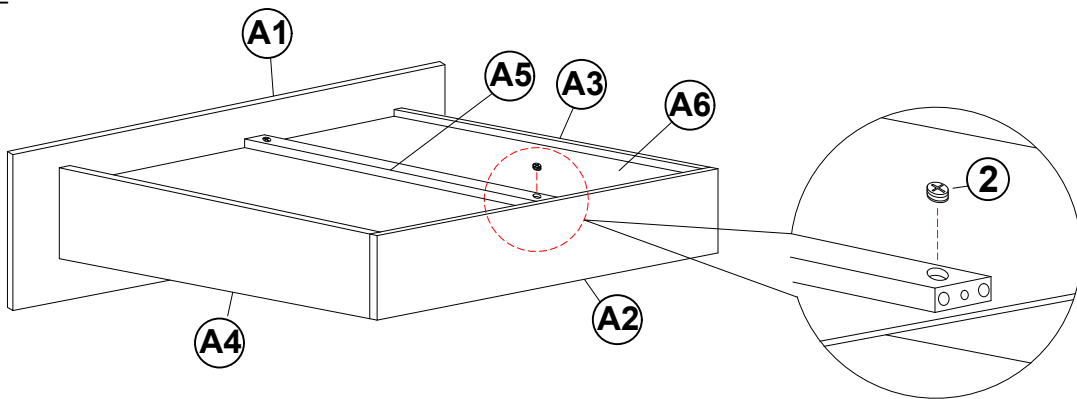
STEP 6



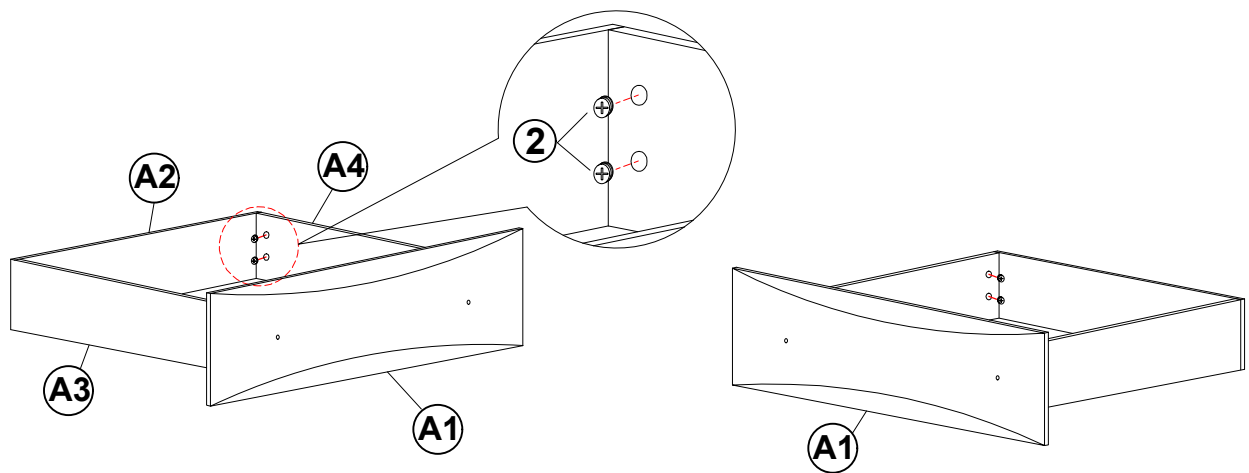
ITEM: 400410T(B1-B3)



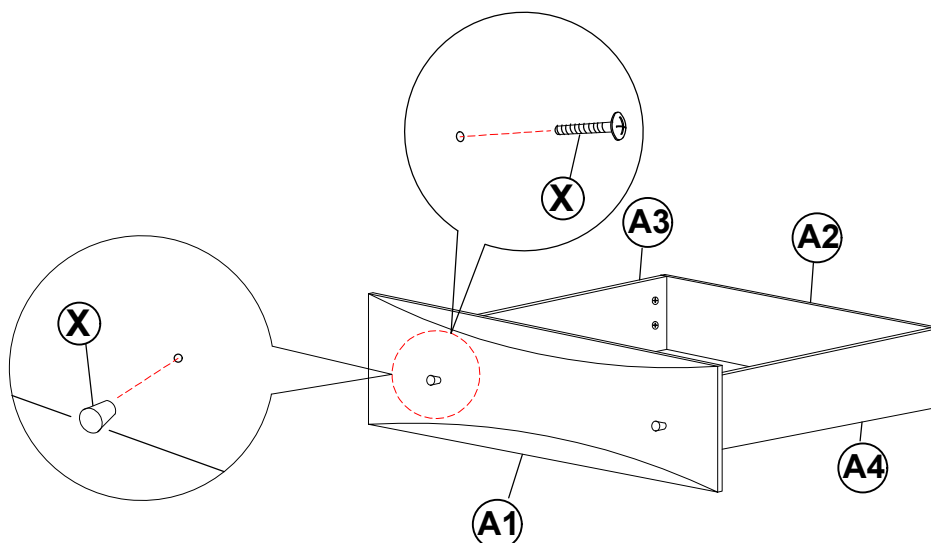
ASSEMBLY INSTRUCTIONS STEP 7



STEP 8



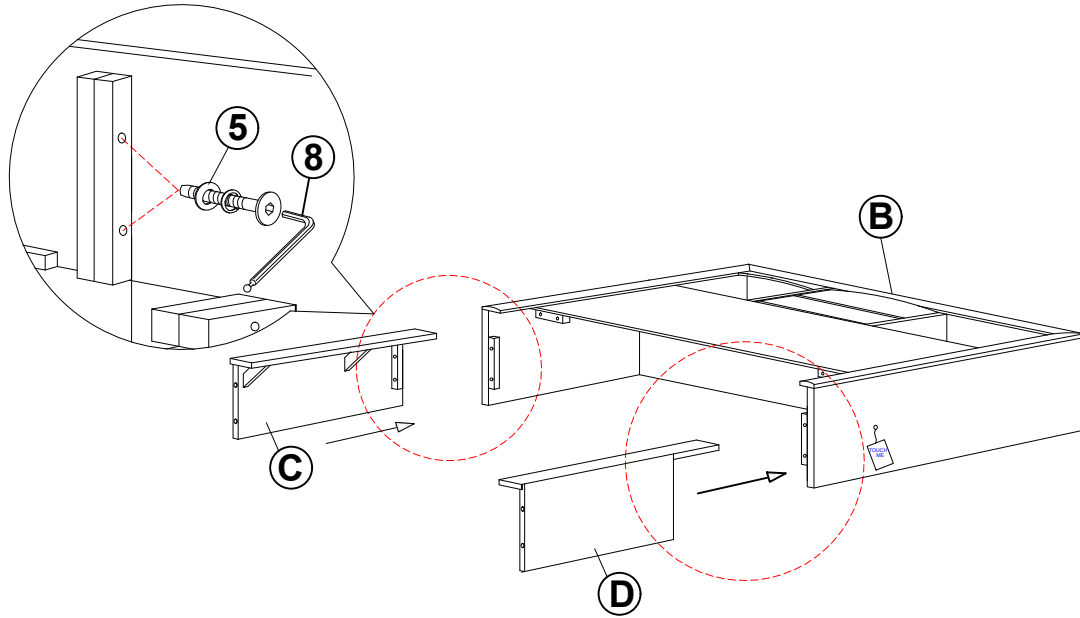
STEP 9



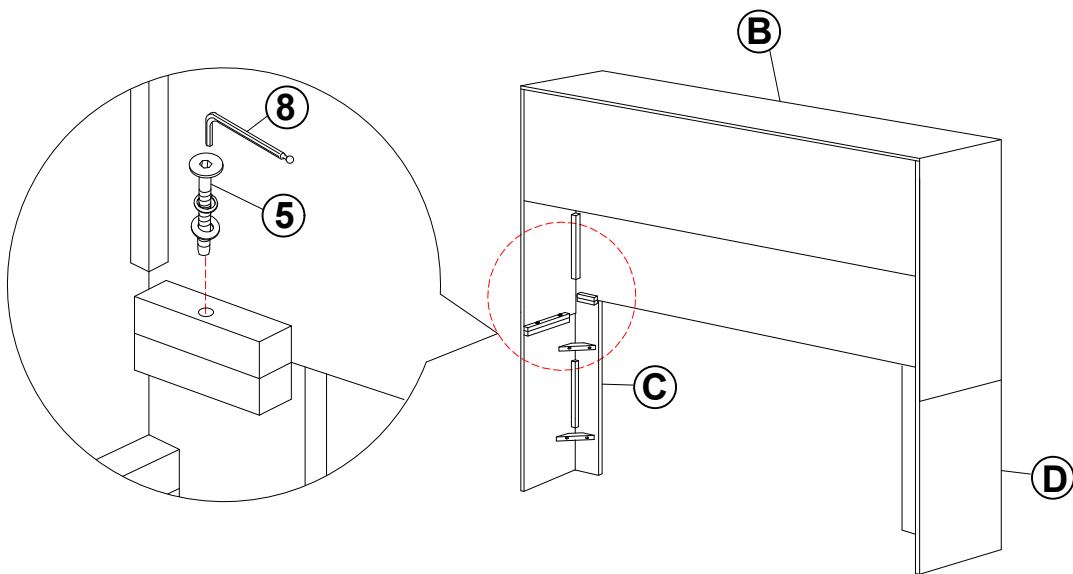
ITEM: 400410T(B1-B3)



ASSEMBLY INSTRUCTIONS STEP 10



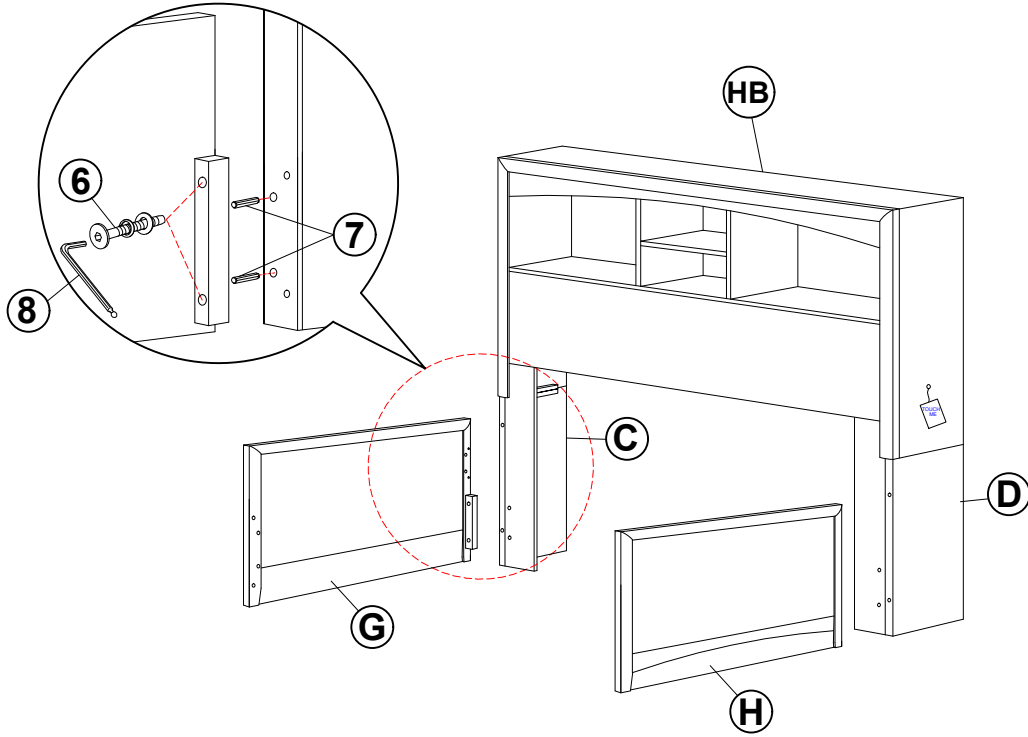
STEP 11



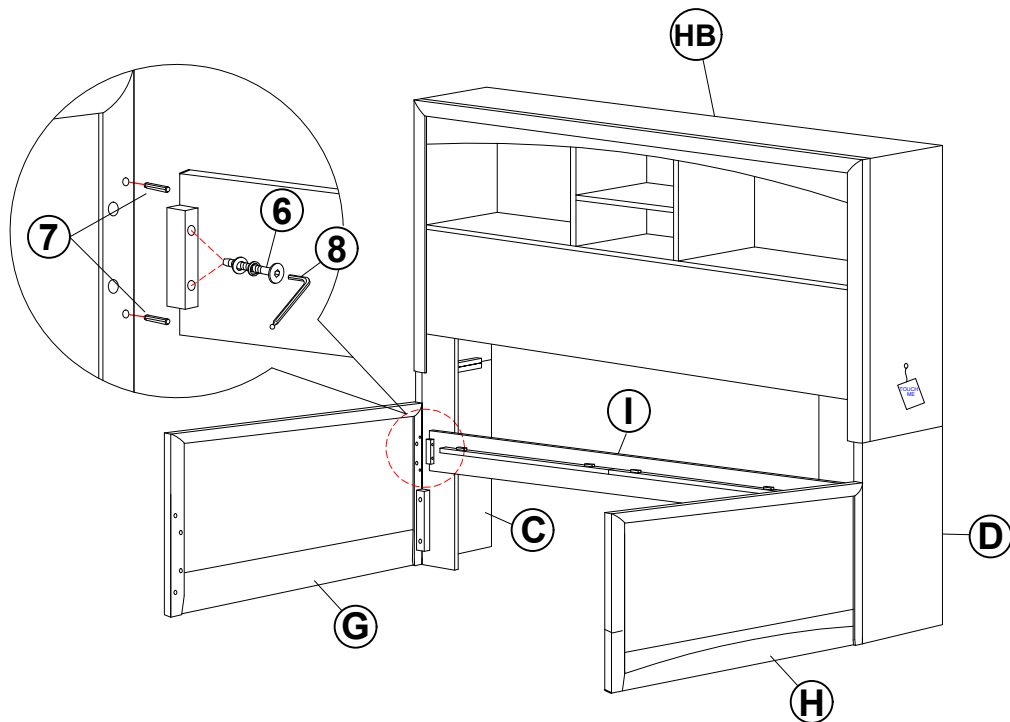
ITEM: 400410T(B1-B3)



ASSEMBLY INSTRUCTIONS STEP 12



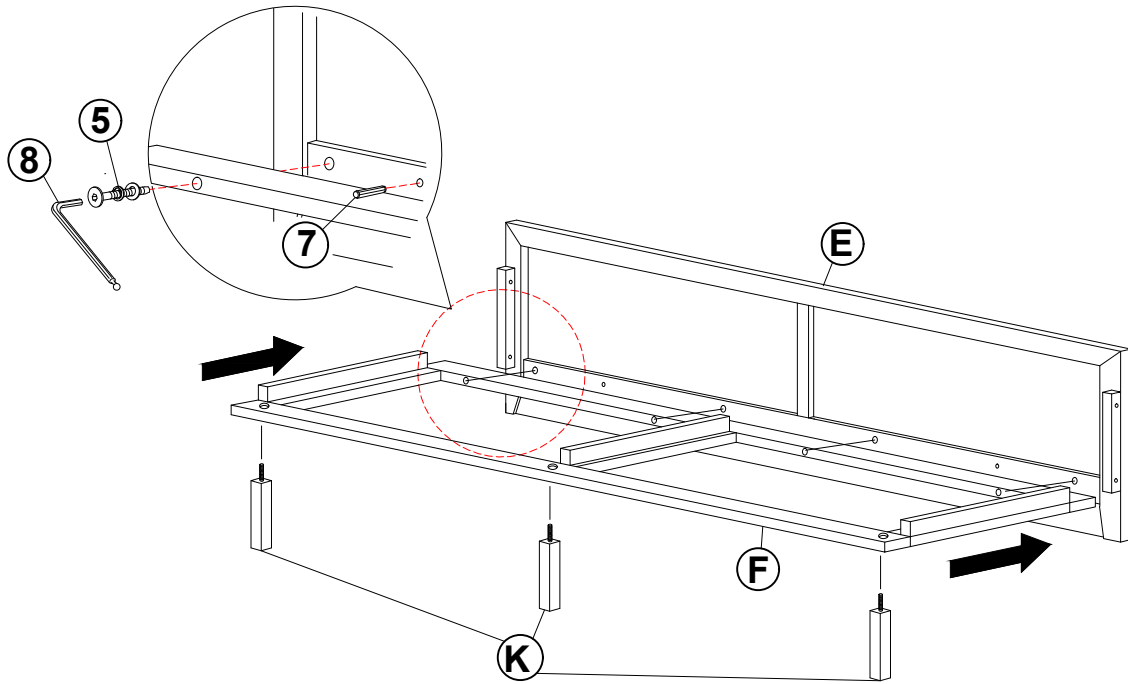
STEP 13



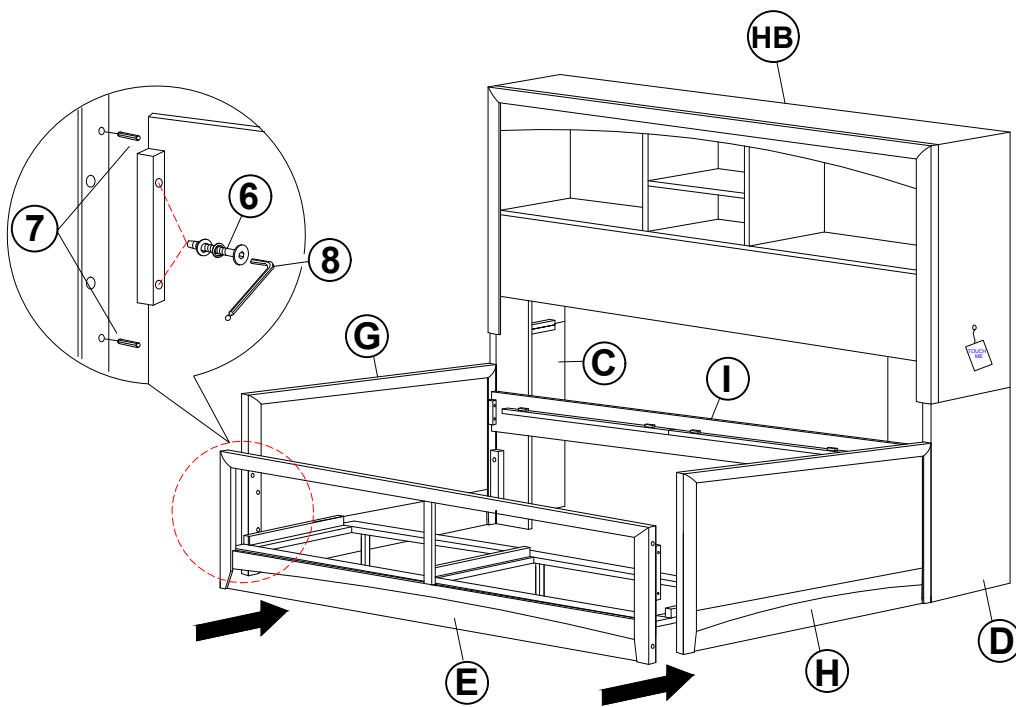
ITEM: 400410T(B1-B3)



ASSEMBLY INSTRUCTIONS STEP 14



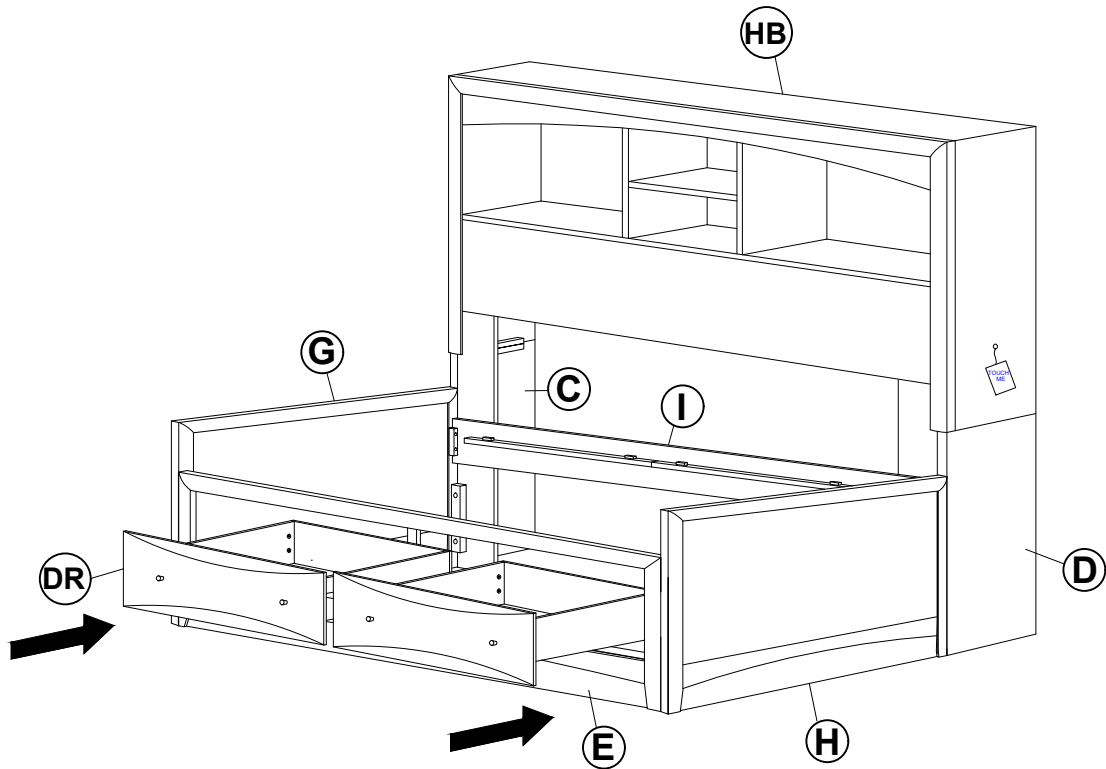
STEP 15



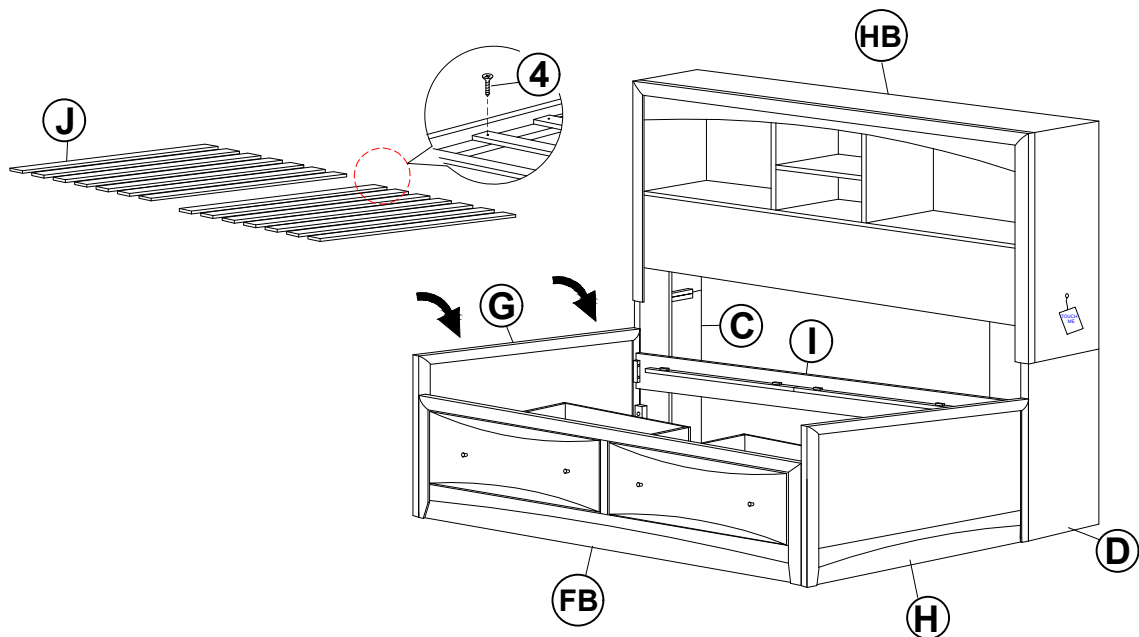
ITEM: 400410T(B1-B3)



ASSEMBLY INSTRUCTIONS STEP 16



STEP 17



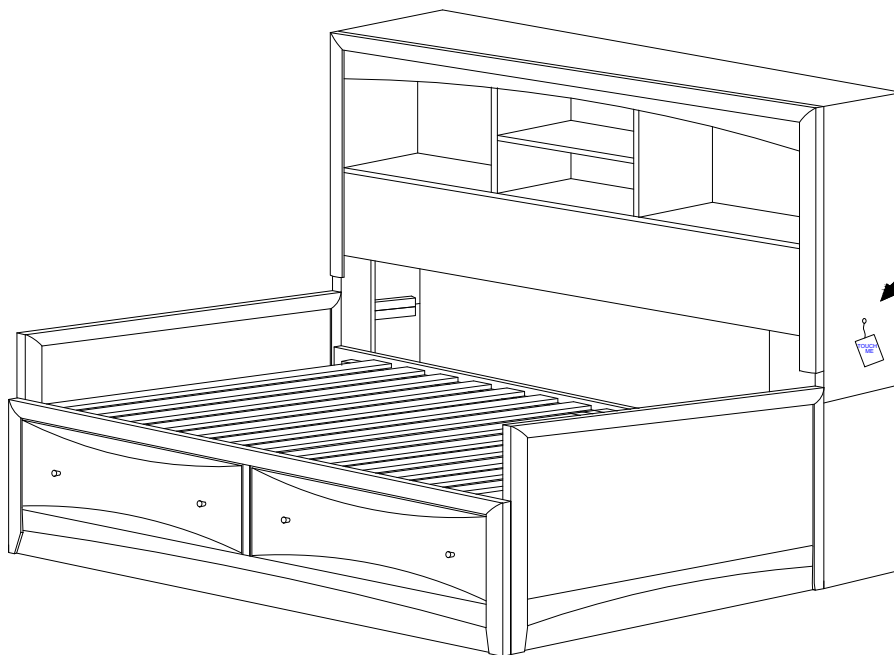
ITEM: **400410T(B1-B3)**



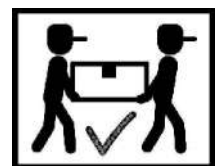
ASSEMBLY INSTRUCTIONS

STEP 18

COMPLETE



- TOUCH ON / OFF SWITCH**
TOUCH 1 - NIGHT LIGHT
TOUCH 2 - ENERGY SAVER LIGHT
TOUCH 3 - BRIGHT READING LIGHT
TOUCH 4 - OFF

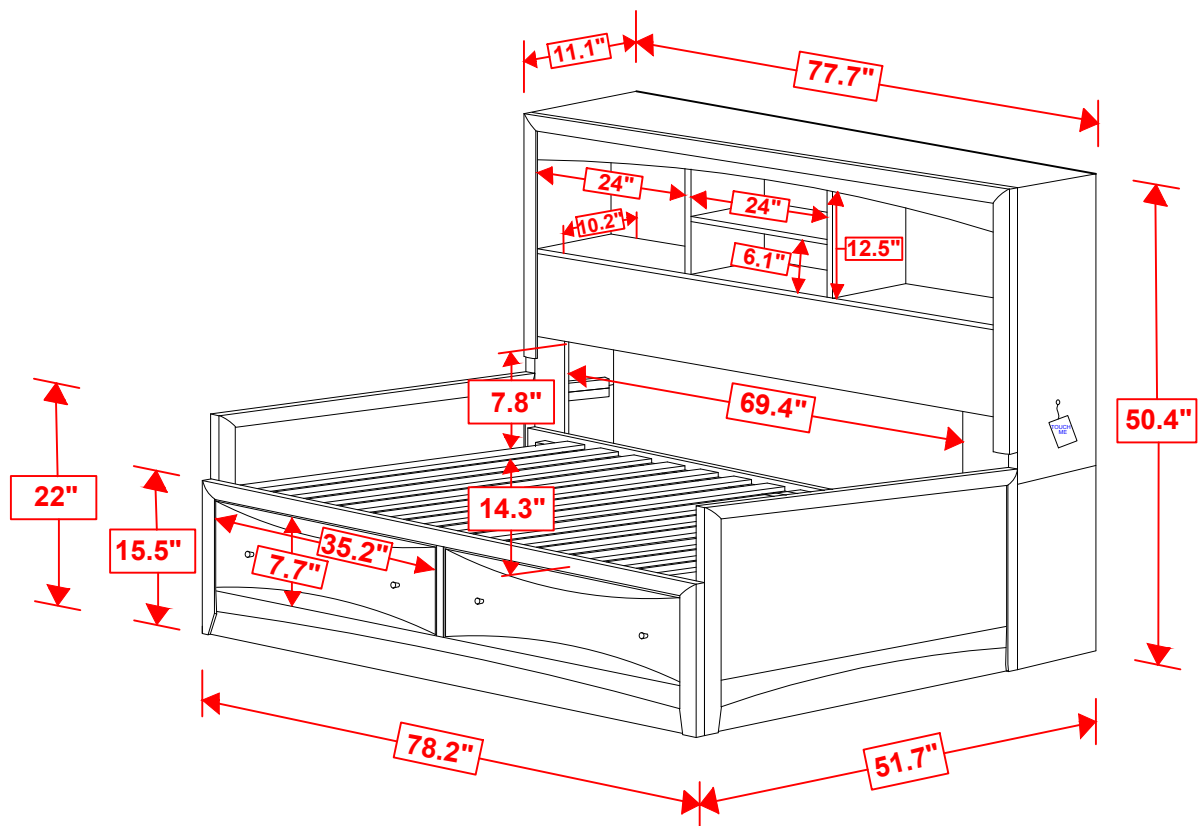


ITEM: 400410T(B1-B3)



INNER SIZE : 39.5" x 76"

INNER SIZE OF DRAWER : 5.6" x 17.2" x 28"



NOTE : DIMENSION TOLERANCE ± 5%

COASTERFURNITURE.COM