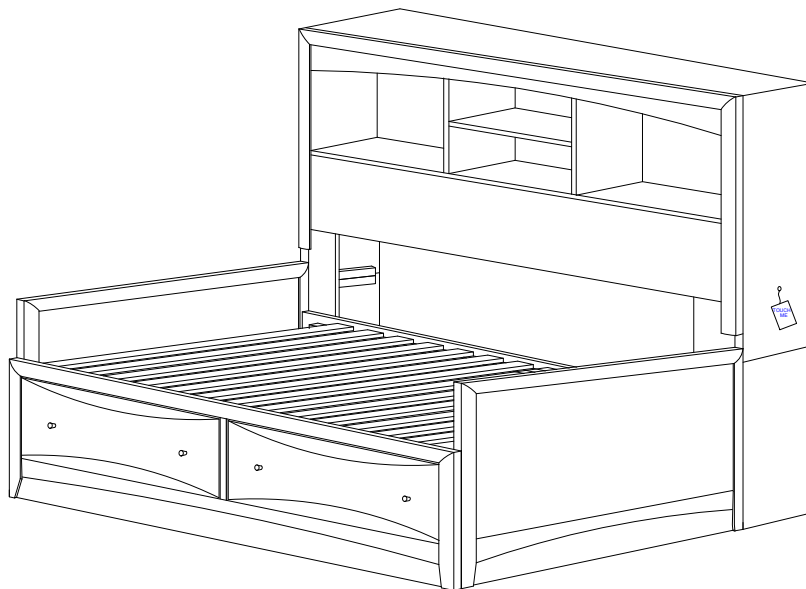


# ASSEMBLY INSTRUCTIONS COASTER FINE FURNITURE



*Fine Furniture for every stage of life*

## 400410F(B1-B3) ***Full Storage Bed***

REVISION 0 : 01/30/2011  
REVISION 1 : 02/01/2012  
REVISION 2 : 11/15/2016  
REVISION 3 : 08/27/2018  
REVISION 4 : 12/27/2018  
REVISION 5 : 12/02/2019  
REVISION 6 : 12/28/2020

# ITEM: 400410F(B1-B3)



## ASSEMBLY INSTRUCTIONS

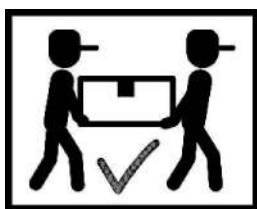
### ASSEMBLY TIPS:

1. Remove hardware from box and sort by size.
2. Please check to see that all hardware and parts are present prior to start of assembly.
3. Please follow attached instructions in the same sequence as numbered to assure fast & easy assembly.



### WARNING!

1. Don't attempt to repair or modify parts that are broken or defective. Please contact the store immediately.
2. This product is for home use only and not intended for commercial establishments.



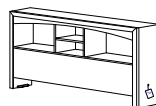
ASSEMBLY TIME

45 MINUTES

## PARTS IDENTIFICATION

### B1 (BOX 1)

**B HEADBOARD PANEL**



**1PC**

**C LEFT HEADBOARD LEG**



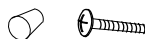
**1PC**

**D RIGHT HEADBOARD LEG**



**1PC**

**X KNOB WITH SCREW**



**4SETS**

### B2 (BOX 2)

**G LEFT SIDE PANEL**



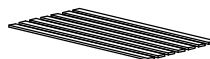
**1PC**

**H RIGHT SIDE PANEL**



**1PC**

**J ROLL SLAT (7PCS)**



**2SETS**

# ITEM: 400410F(B1-B3)



## ASSEMBLY INSTRUCTIONS

### ASSEMBLY TIPS:

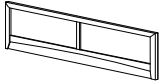











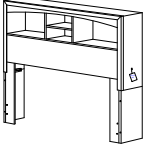
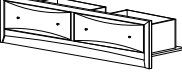
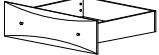
1. Remove hardware from box and sort by size.
2. Please check to see that all hardware and parts are present prior to start of assembly.
3. Please follow attached instructions in the same sequence as numbered to assure fast & easy assembly.



### WARNING!

1. Don't attempt to repair or modify parts that are broken or defective. Please contact the store immediately.
2. This product is for home use only and not intended for commercial establishments.

### B3 (BOX 3)

E	FOOTBOARD FRAME		1PC
F	DRAWER SUPPORT FRAME		1PC
I	BED RAIL		1PC
K	CENTER RAIL		1PC
L	CENTER RAIL SUPPORT WITH LEVELER		3PCS
M	FOOTBOARD SUPPORT LEG		3PCS
A1	DRAWER FRONT PANEL		2PCS
A2	DRAWER BACK PANEL		2PCS
A3	DRAWER LEFT SIDE PANEL		2PCS
A4	DRAWER RIGHT SIDE PANEL		2PCS
A5	DRAWER SUPPORT BAR		2PCS
A6	DRAWER BOTTOM PANEL		2PCS
HB	400410F(B1) FROM BOX 1 HEADBOARD COMPLETE		1PC
FB	400410F(B3) FROM BOX 3 FOOTBOARD COMPLETE		1PC
DR	400410F(B3) FROM BOX 3 DRAWER COMPLETE		2PCS

# ITEM: 400410F(B1-B3)



## ASSEMBLY INSTRUCTIONS

### ASSEMBLY TIPS:

1. Remove hardware from box and sort by size.
2. Please check to see that all hardware and parts are present prior to start of assembly.
3. Please follow attached instructions in the same sequence as numbered to assure fast & easy assembly.





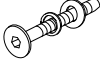
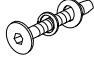





### WARNING!

1. Don't attempt to repair or modify parts that are broken or defective. Please contact the store immediately.
2. This product is for home use only and not intended for commercial establishments.

## HARDWARE IDENTIFICATION

### Z-B1 (BOX 1) - HARDWARE PACK IS LOCATED IN 400410F (B1)

1	<b>CAM BOLT</b> (T24 - SR)		<b>20PCS</b>
2	<b>CAM NUT</b> (D15 x 9.5mm - SR)		<b>20PCS</b>
3	<b>SMALL WOOD DOWEL</b> (M6 x 30mm)		<b>24PCS</b>
4	<b>FLAT HEAD SCREW</b> (M4 x 32mm - BLK)		<b>28PCS</b>
5	<b>LONG BOLT WITH WASHER</b> (M6 x 60mm - BLK)		<b>10PCS</b>
6	<b>SHORT BOLT WITH WASHER</b> (M6 x 40mm - BLK)		<b>12PCS</b>
7	<b>BIG WOOD DOWEL</b> (M8 x 30mm)		<b>14PCS</b>
8	<b>ALLEN WRENCH</b> (M4 x 110mm - BLK)		<b>1PC</b>
9	<b>LONG BOLT</b> (M6 x 60mm - BLK)		<b>4PCS</b>

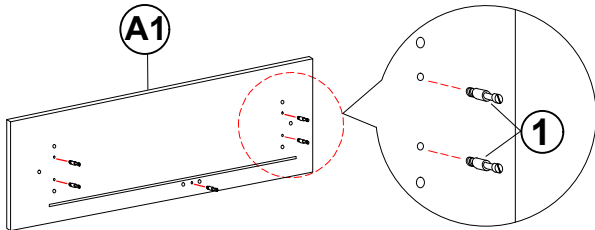
### NOTE:

Phillips head screw driver is required in the assembly process; however, manufacturer does not provide this item.

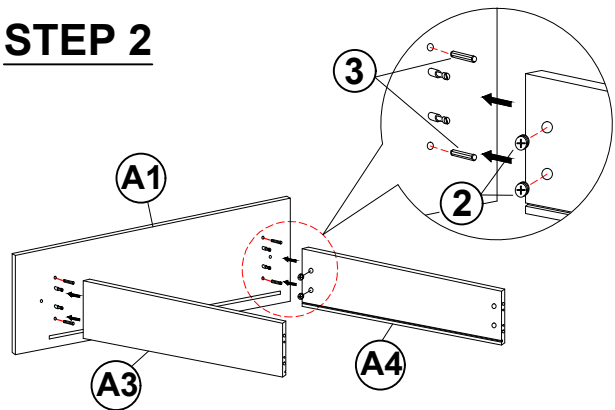
# ITEM: 400410F(B1-B3)

## ASSEMBLY INSTRUCTIONS

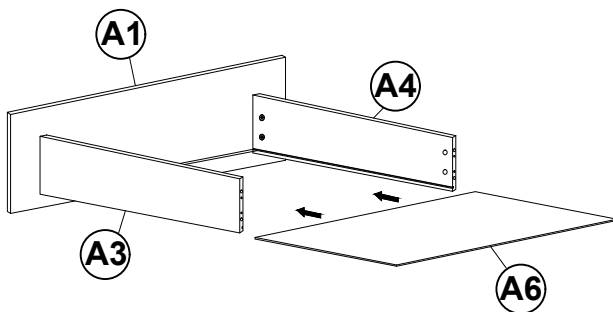
### STEP 1



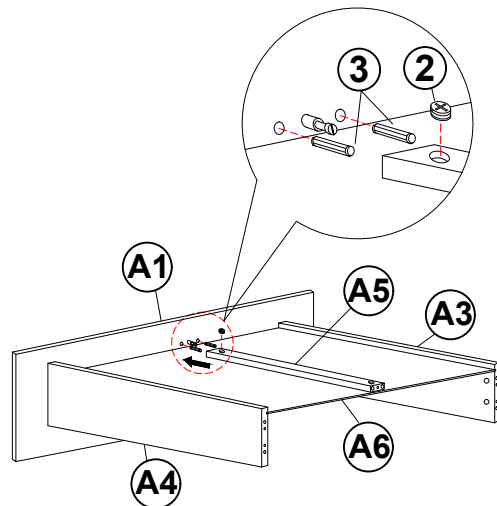
### STEP 2



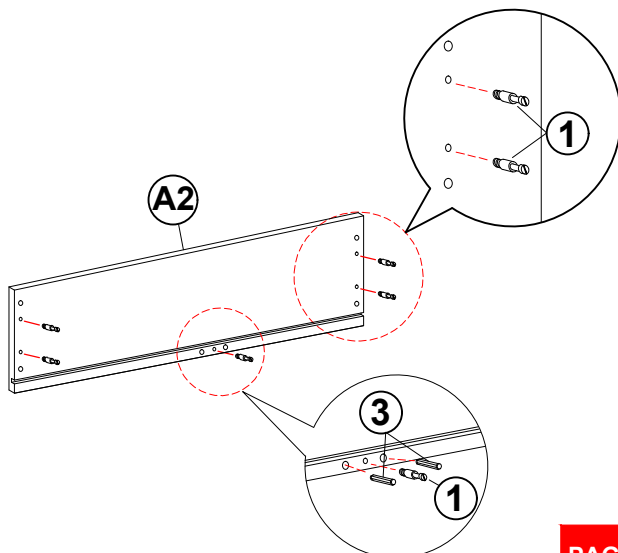
### STEP 3



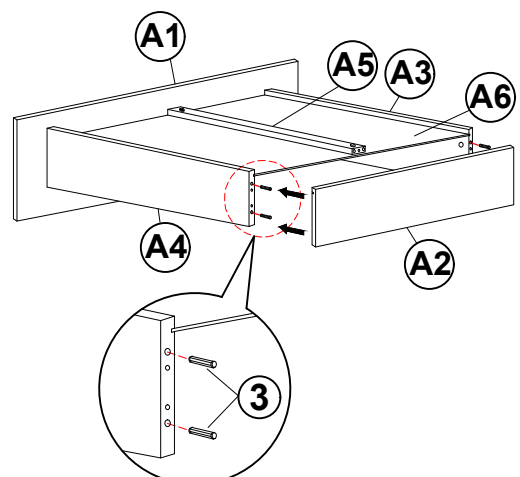
### STEP 4



### STEP 5



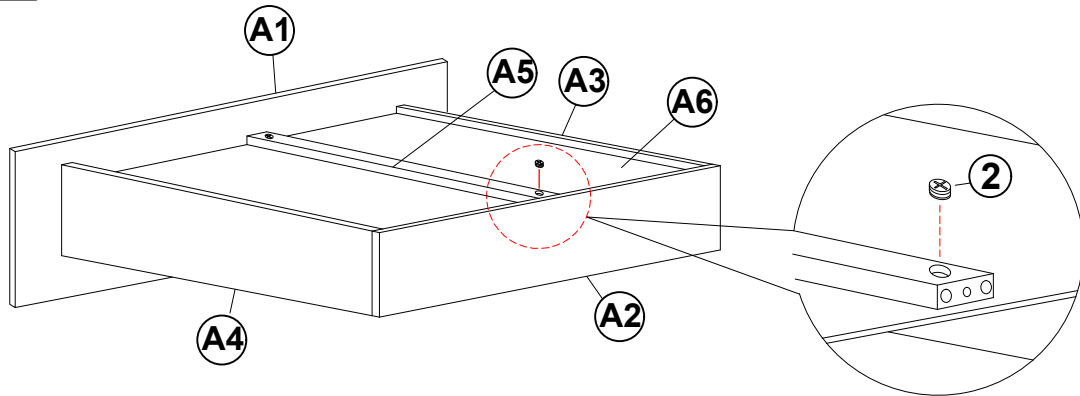
### STEP 6



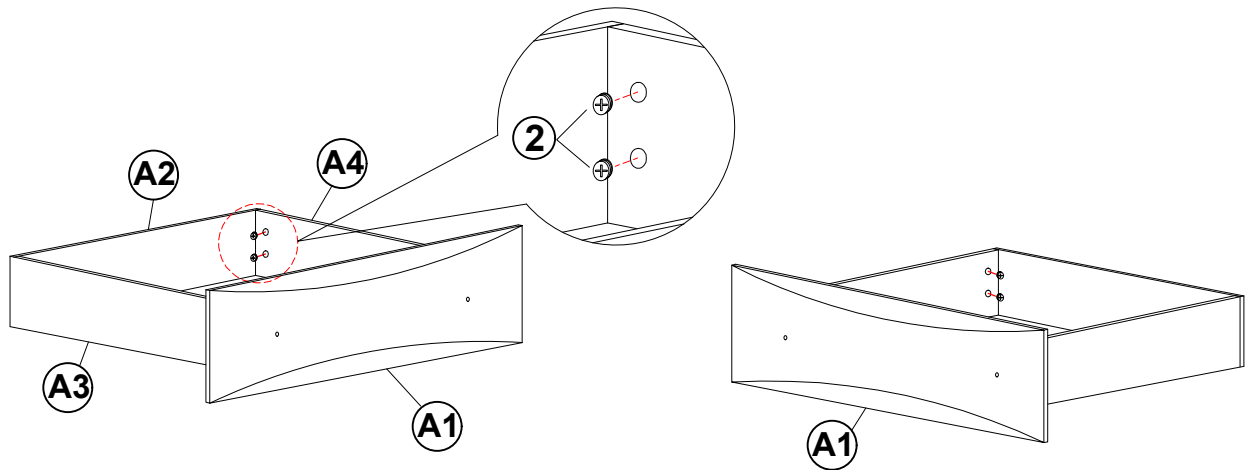
# ITEM: 400410F(B1-B3)



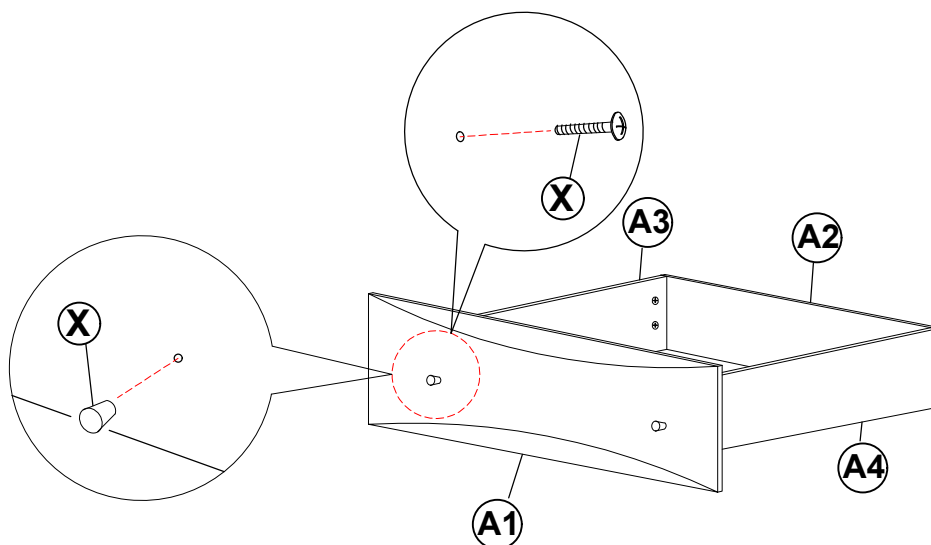
## ASSEMBLY INSTRUCTIONS STEP 7



## STEP 8



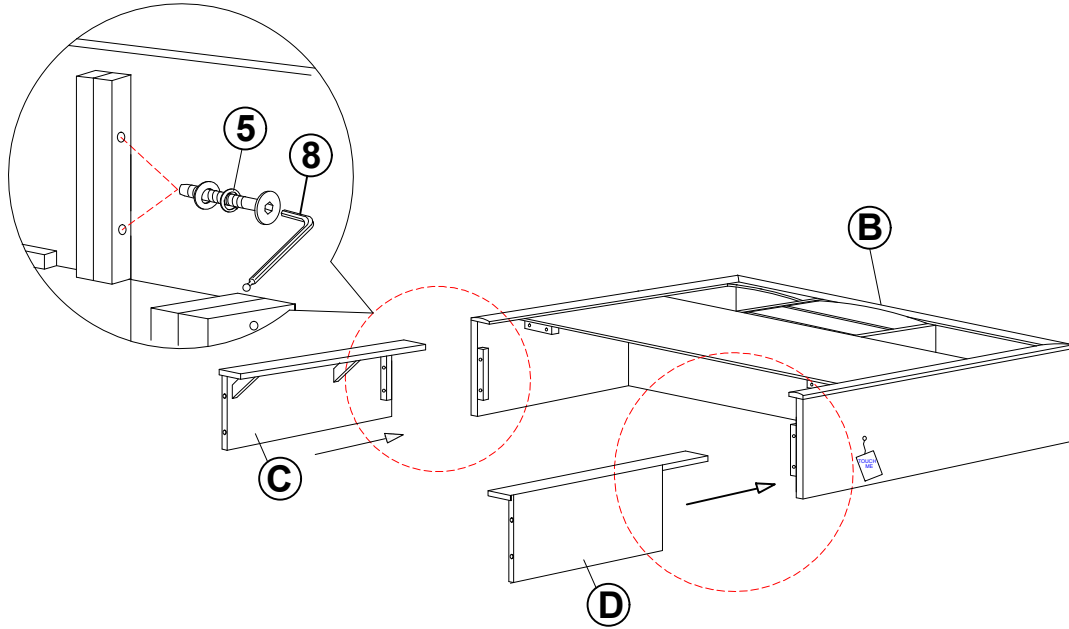
## STEP 9



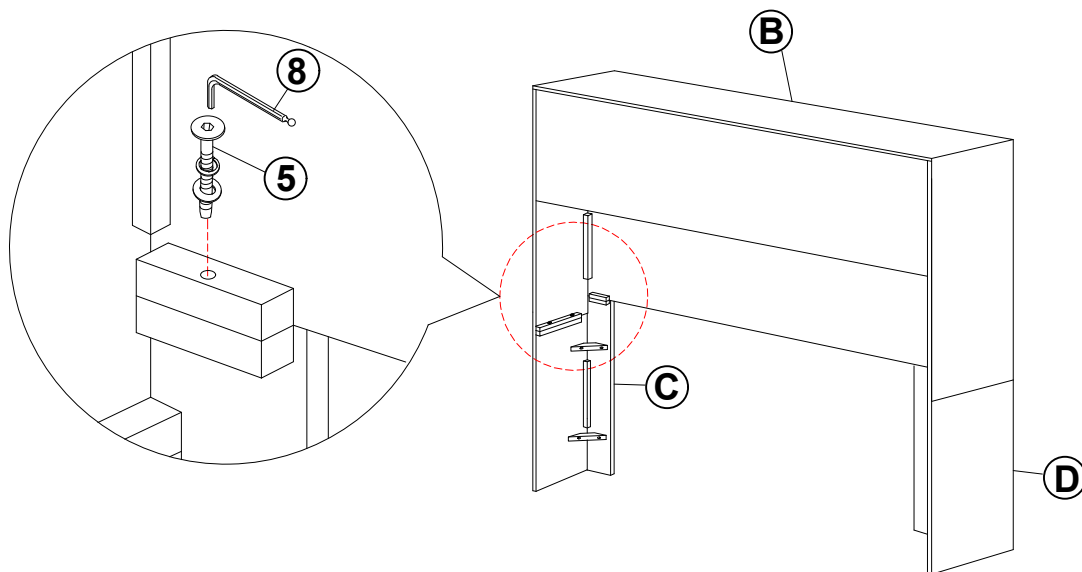
# ITEM: 400410F(B1-B3)



## ASSEMBLY INSTRUCTIONS STEP 10



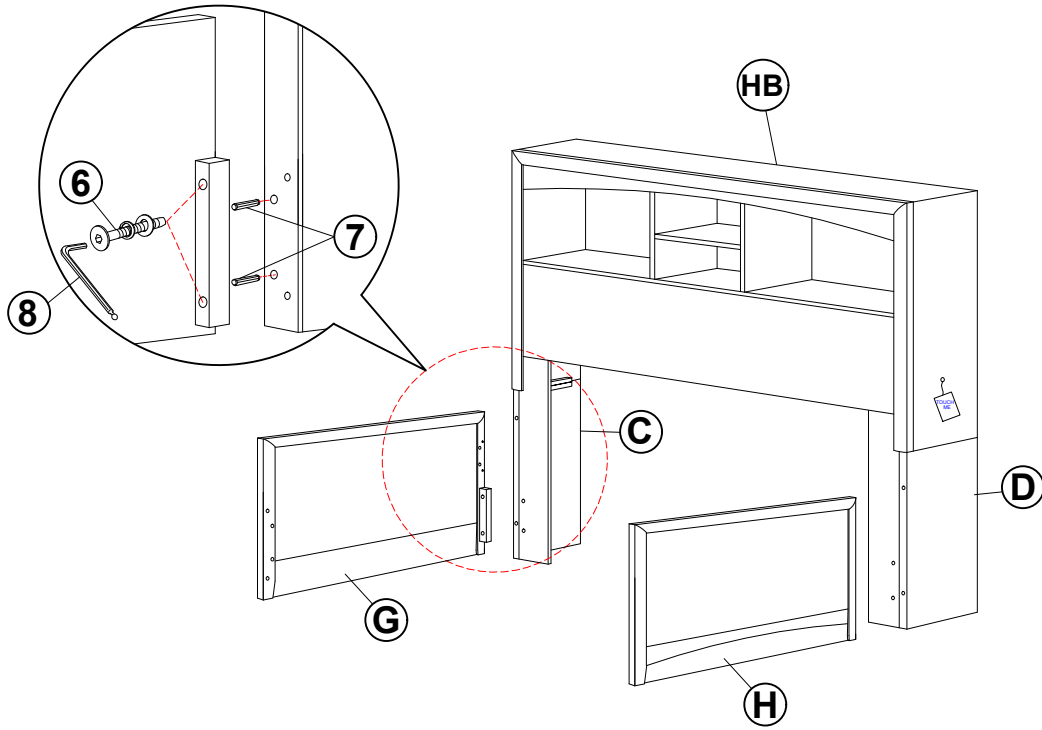
## STEP 11



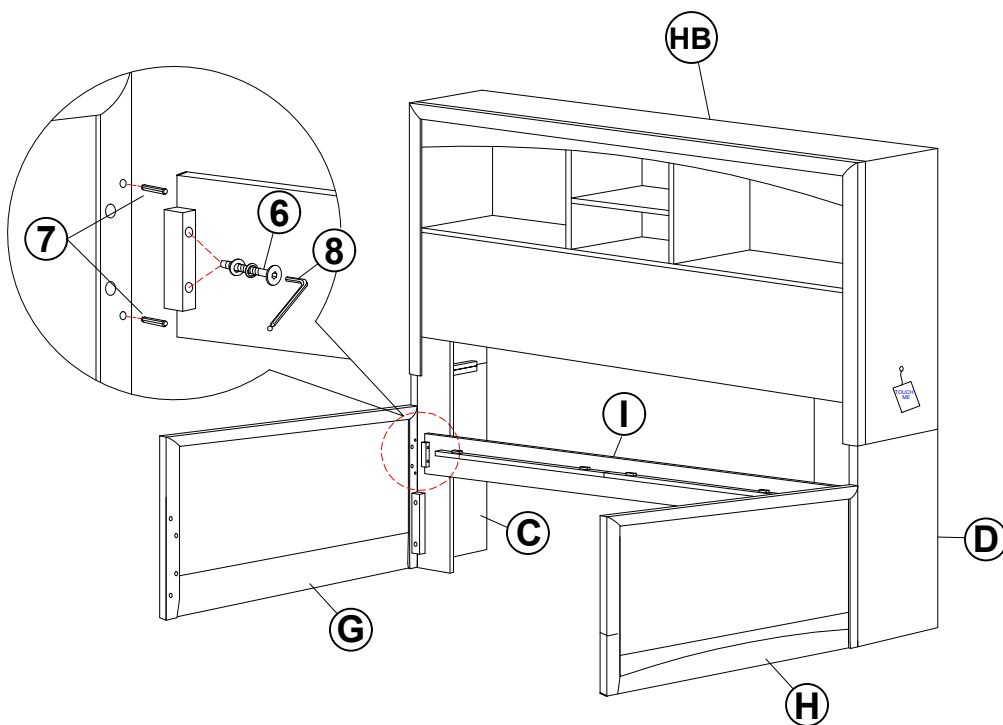
# ITEM: 400410F(B1-B3)



## ASSEMBLY INSTRUCTIONS STEP 12



## STEP 13

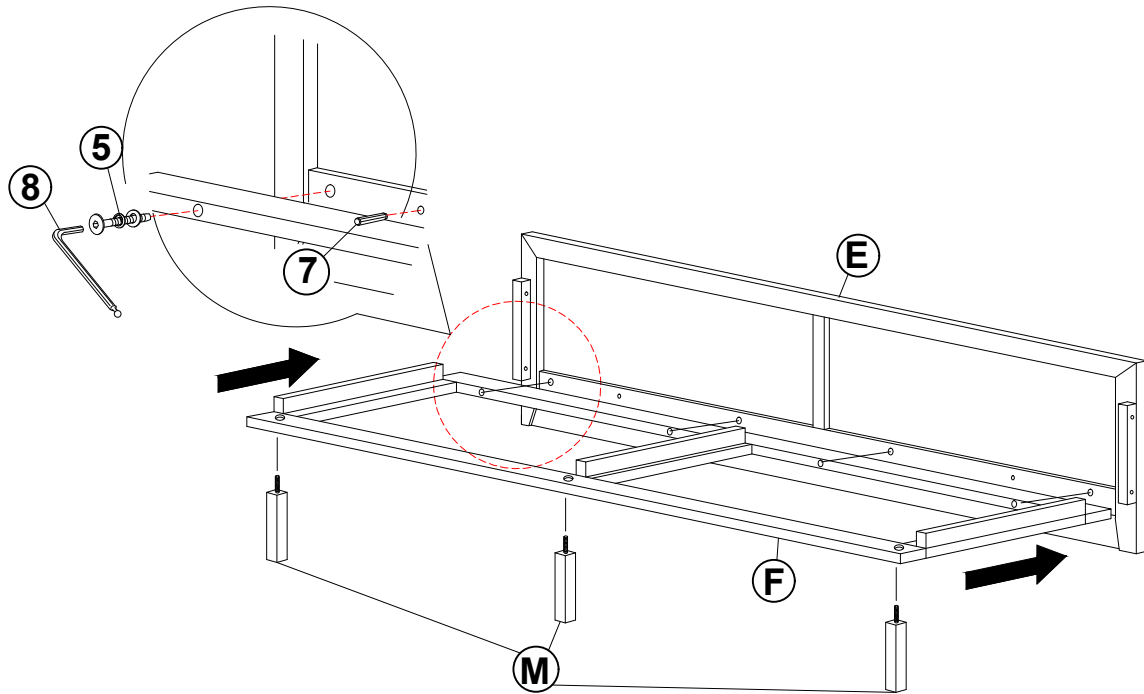




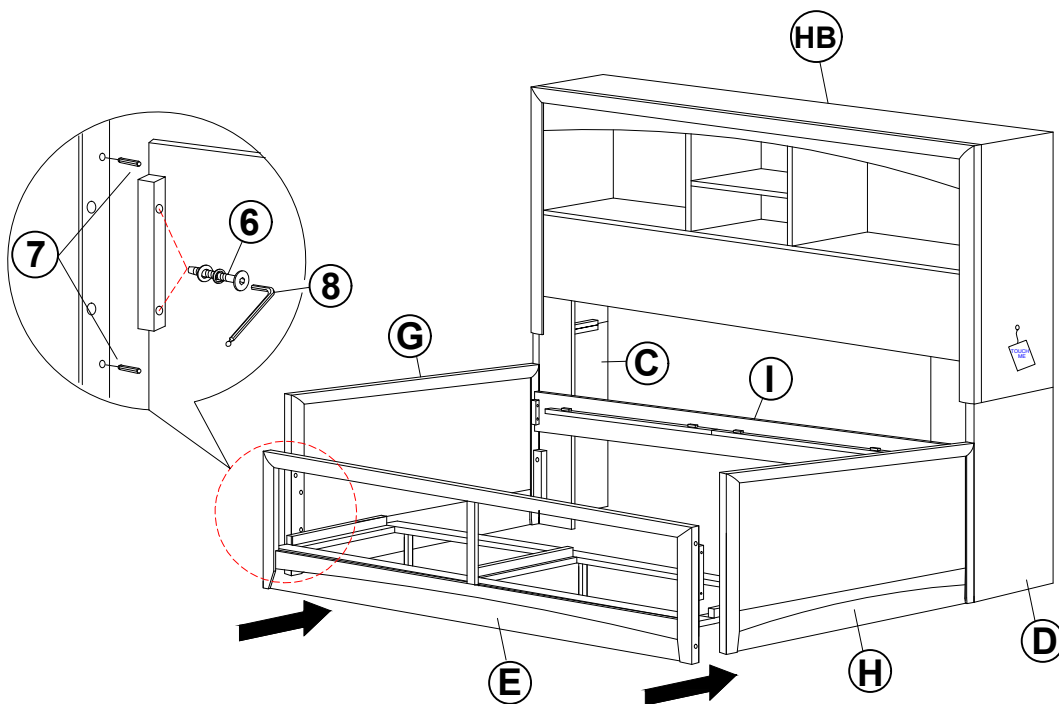
# ITEM: 400410F(B1-B3)



## ASSEMBLY INSTRUCTIONS STEP 14



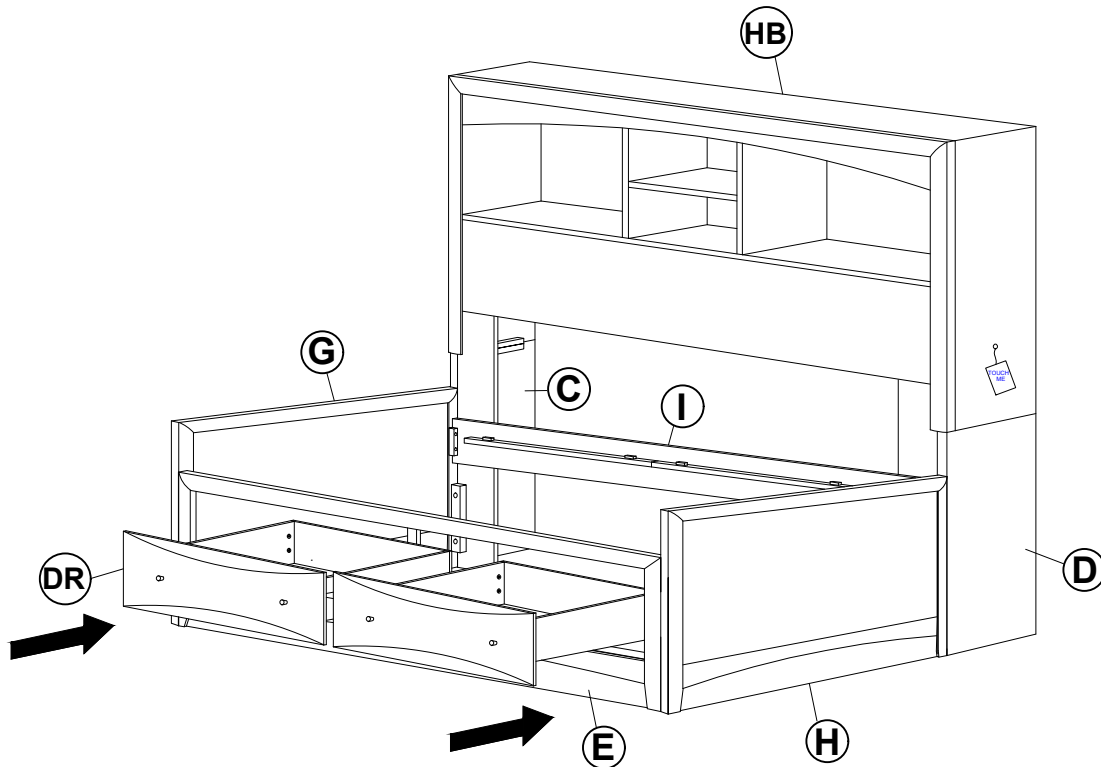
## STEP 15



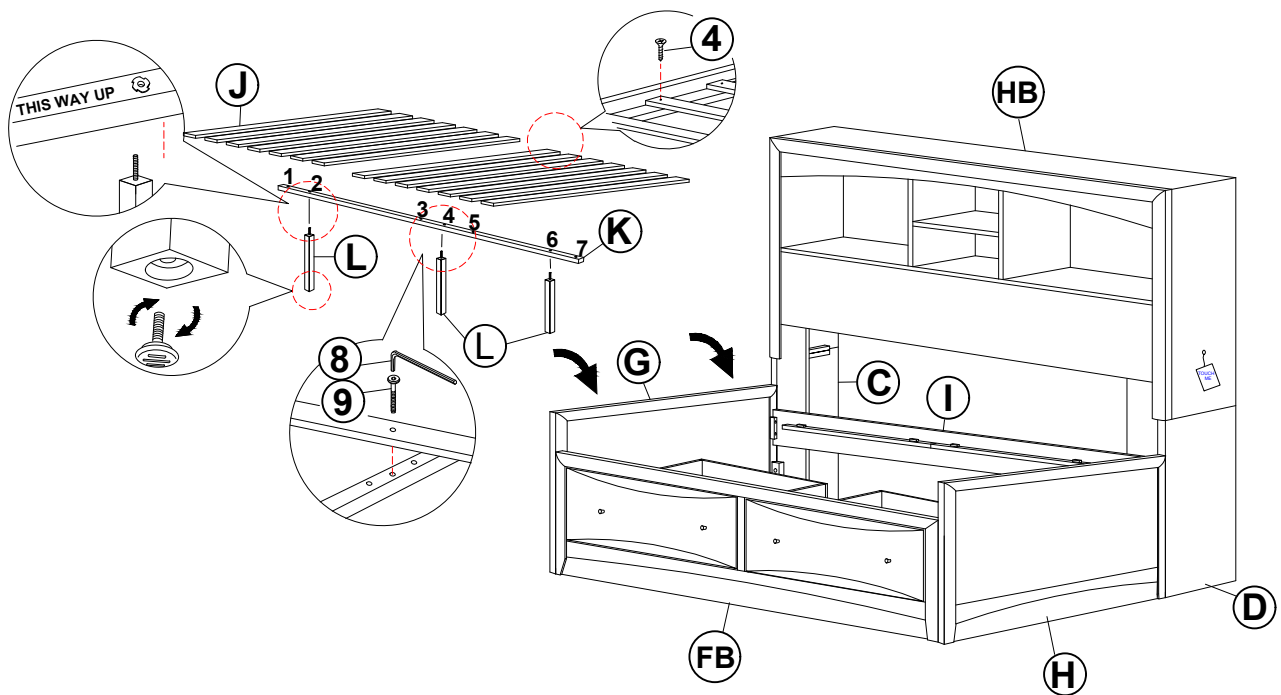
# ITEM: 400410F(B1-B3)



## ASSEMBLY INSTRUCTIONS STEP 16



## STEP 17



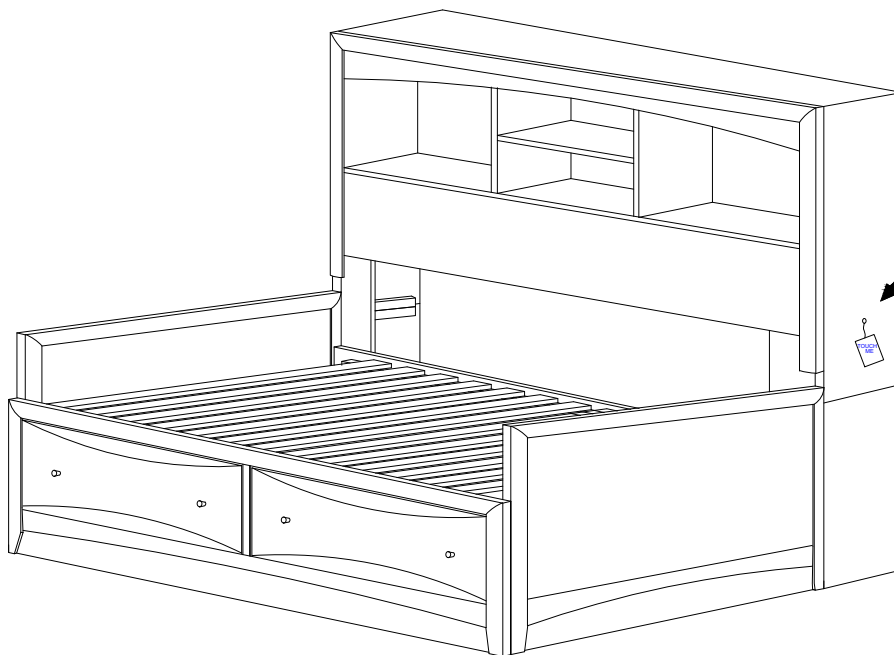
ITEM: **400410F(B1-B3)**



**ASSEMBLY INSTRUCTIONS**

**STEP 18**

**COMPLETE**



- TOUCH ON / OFF SWITCH**  
TOUCH 1 - NIGHT LIGHT  
TOUCH 2 - ENERGY SAVER LIGHT  
TOUCH 3 - BRIGHT READING LIGHT  
TOUCH 4 - OFF

