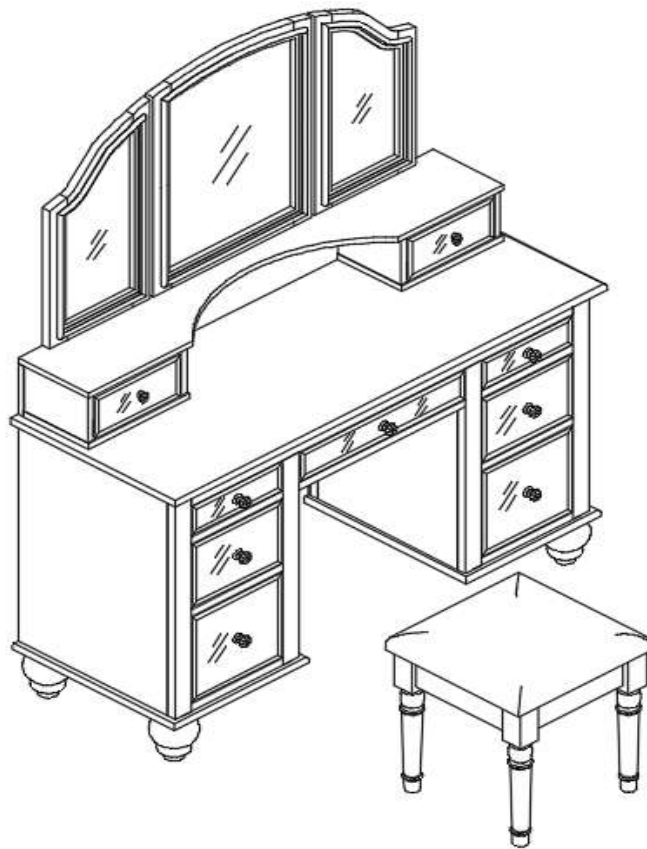


ASSEMBLY INSTRUCTIONS
COASTER FINE FURNITURE



Fine Furniture for every stage of life

930133
3Pc Vanity Set

ITEM: **930133**



ASSEMBLY INSTRUCTIONS

ASSEMBLY TIPS:

1. Remove hardware from box and sort by size.
2. Please check to see that all hardware and parts are present prior to start of assembly.
3. Please follow attached instructions in the same sequence as numbered to assure fast & easy assembly.

WARNING!



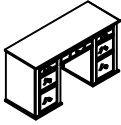



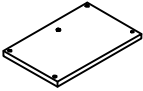



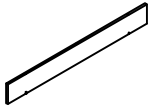
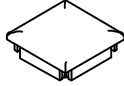

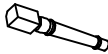

1. Don't attempt to repair or modify parts that are broken or defective. Please contact the store immediately.
2. This product is for home use only and not intended for commercial establishments.



ASSEMBLY TIME

30 MINUTES

PARTS IDENTIFICATION

A	DESK		1PC	H	MIDDLE VANITY MIRROR		1PC
B	DESK BUN FOOT		4PCS	I	LEFT VANITY MIRROR		1PC
C	BOTTOM PANEL		2PCS	J	RIGHT VANITY MIRROR		1PC
D	SIDE PANEL		4PCS	K	SUPPORT BAR		2PCS
E	BACK PANEL		1PC	L	STOOL SEAT CUSHION WITH FRAME		1PC
F	TOP PANEL		1PC	M	STOOL LEG		4PCS
G	MIRROR DRAWER		2PCS				

ITEM: **930133**

ASSEMBLY INSTRUCTIONS
ASSEMBLY TIPS:






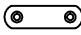


1. Remove hardware from box and sort by size.
2. Please check to see that all hardware and parts are present prior to start of assembly.
3. Please follow attached instructions in the same sequence as numbered to assure fast & easy assembly.

WARNING!



1. Don't attempt to repair or modify parts that are broken or defective. Please contact the store immediately.
2. This product is for home use only and not intended for commercial establishments.

HARDWARE IDENTIFICATION

1	LONG BOLT (Ø1/4" x 2" - RBW)		13PCS	5	FLAT WASHER (Ø5/16" - RBW)		16PCS
2	BARREL NUT (Ø1/4" - RBW)		5PCS	6	ALLEN WRENCH (4MM - RBW)		1PC
3	SHORT BOLT (Ø1/4" x 1-3/8" - RBW)		8PCS	7	METAL PLATE (1-3/4" x 1/2" - BLK)		2PCS
4	LOCK WASHER (Ø1/4" - RBW)		16PCS	8	PAN HEAD SCREW (3 x 12MM - SR)		4PCS

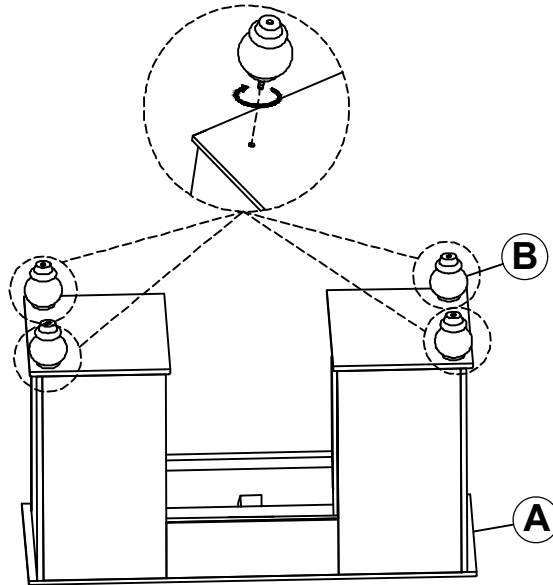
NOTE:

Phillips head screw driver is required in the assembly process; however, manufactures does not provide this item.

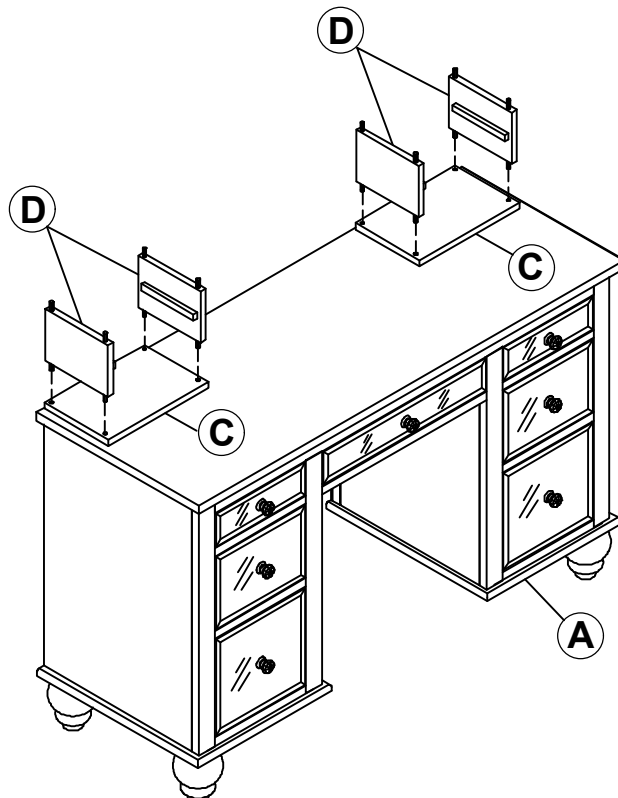
ITEM: **930133**

ASSEMBLY INSTRUCTIONS

STEP 1

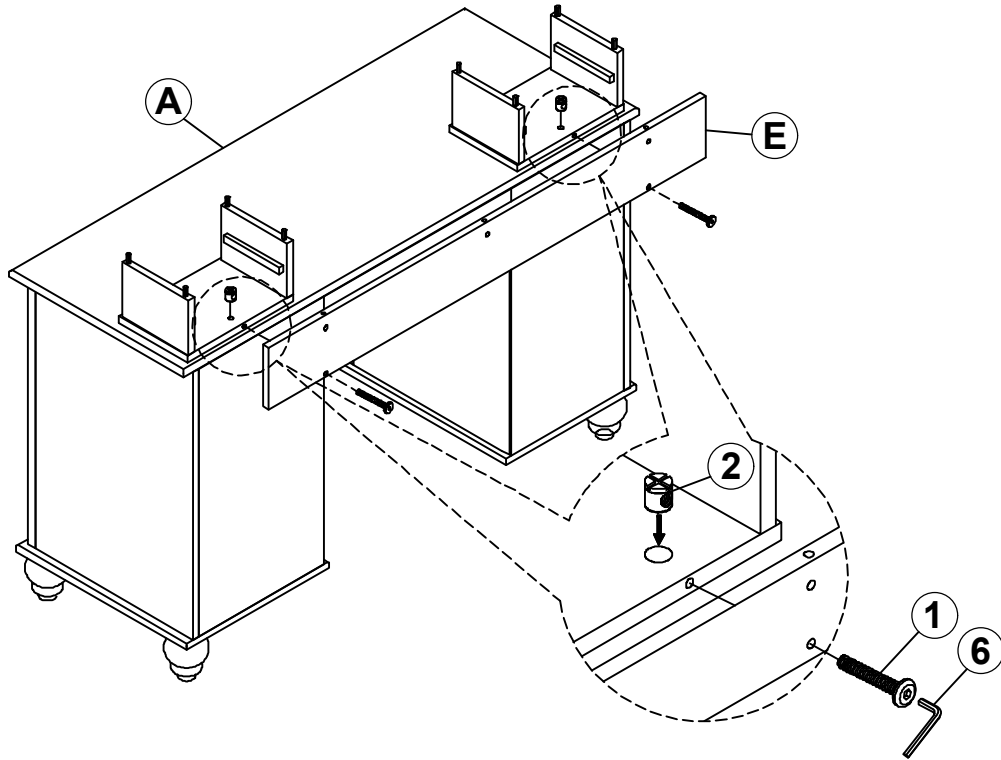


STEP 2

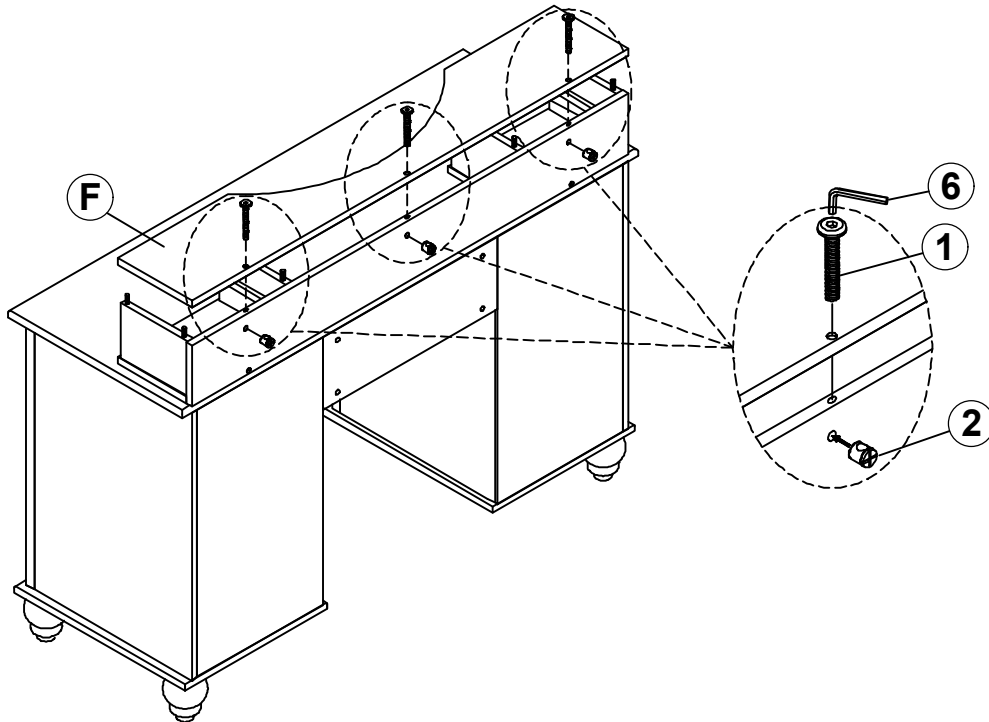


ITEM: **930133**

ASSEMBLY INSTRUCTIONS
STEP 3

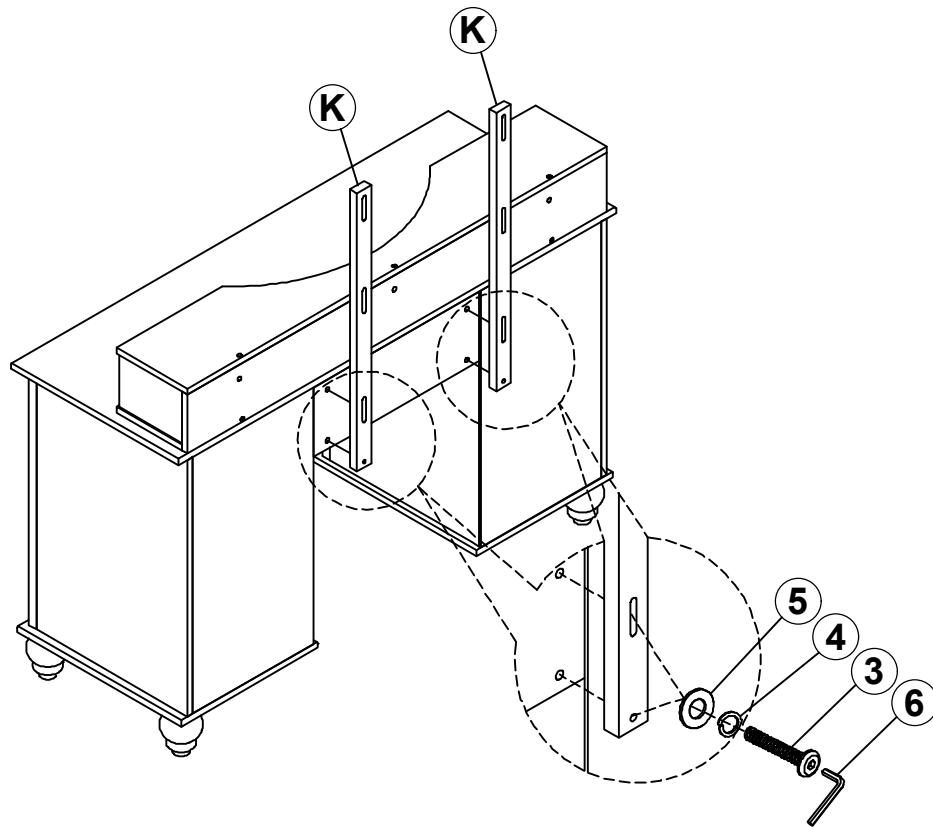


STEP 4

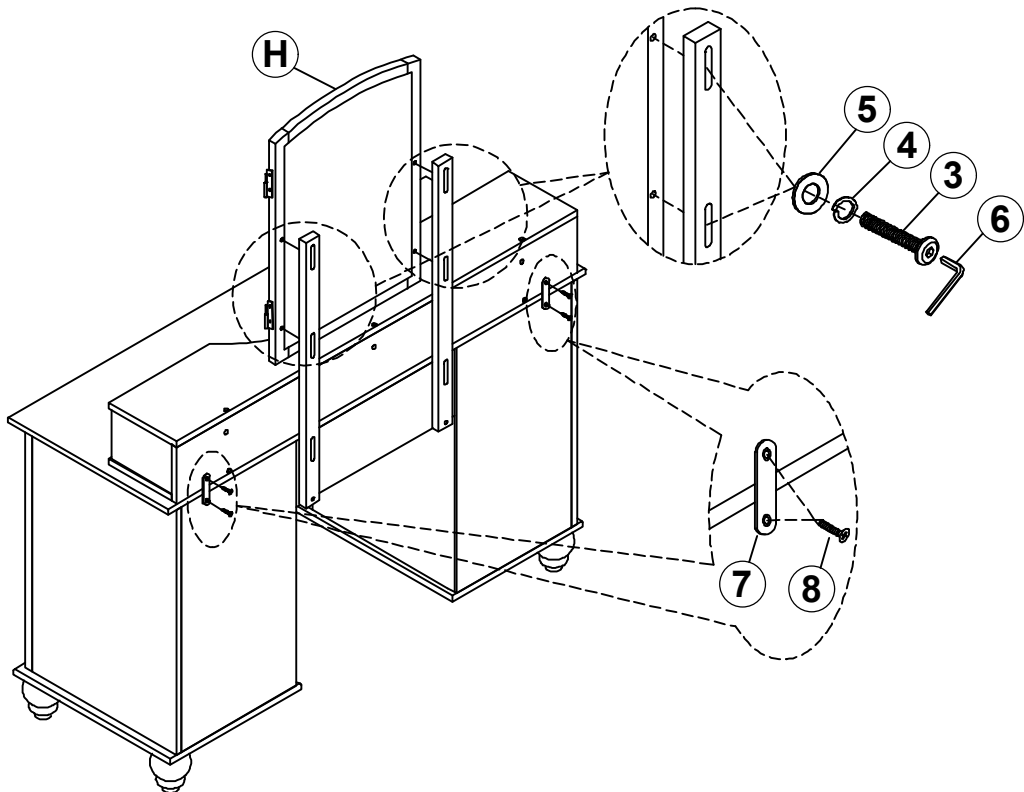


ITEM: **930133**

ASSEMBLY INSTRUCTIONS
STEP 5

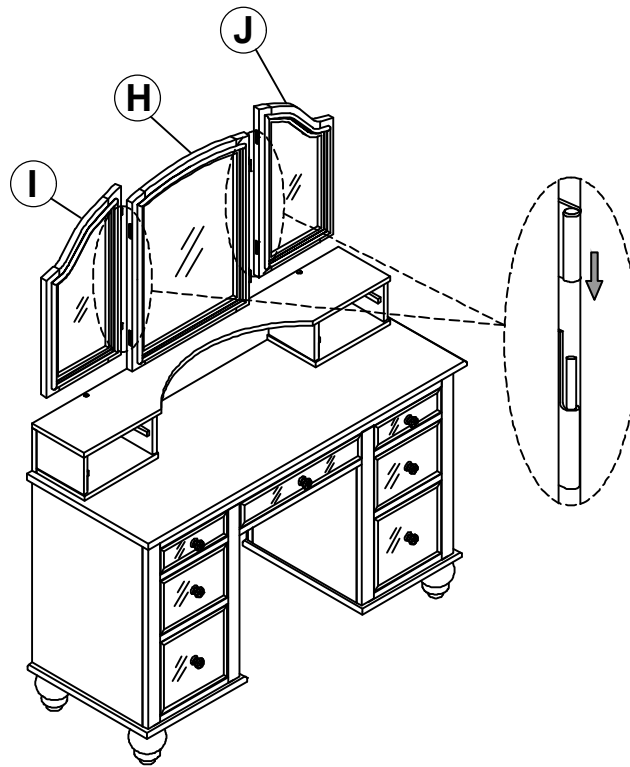


STEP 6

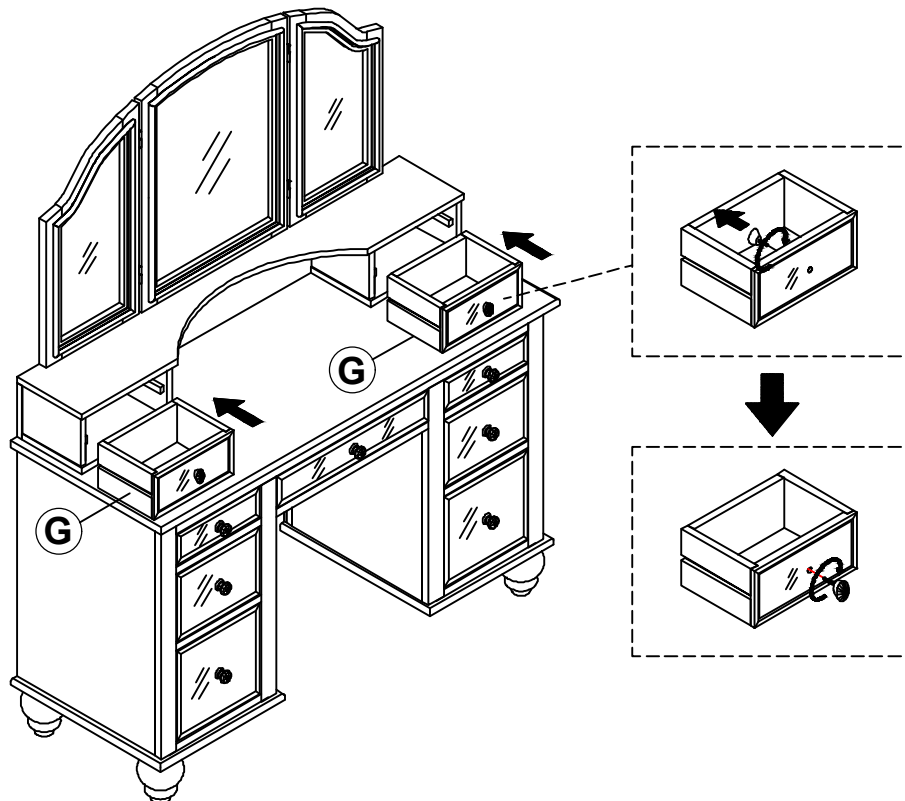


ITEM: **930133**

ASSEMBLY INSTRUCTIONS
STEP 7

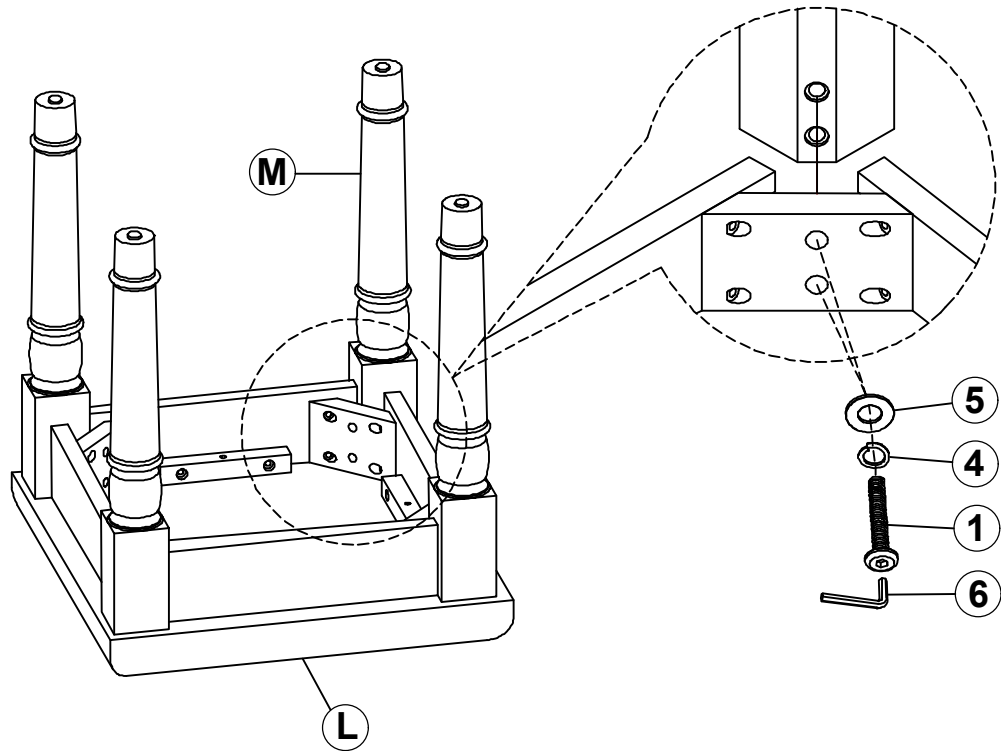


STEP 8

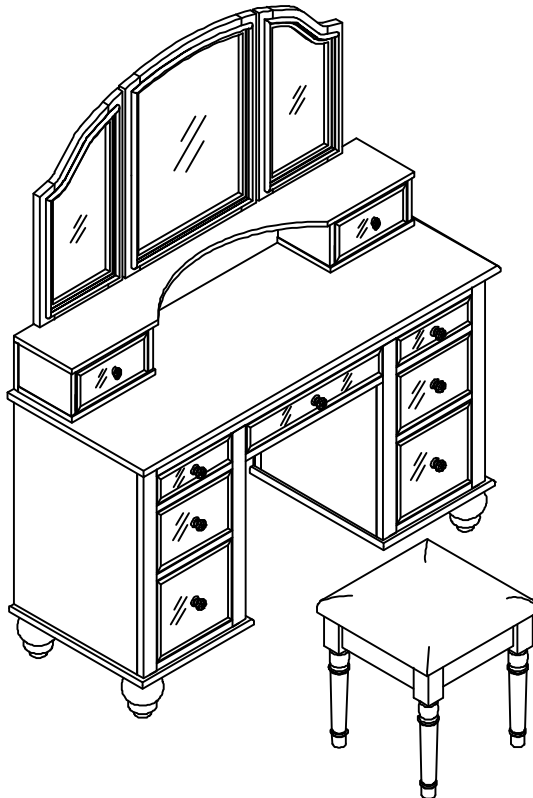


ITEM: **930133**

ASSEMBLY INSTRUCTIONS
STEP 9

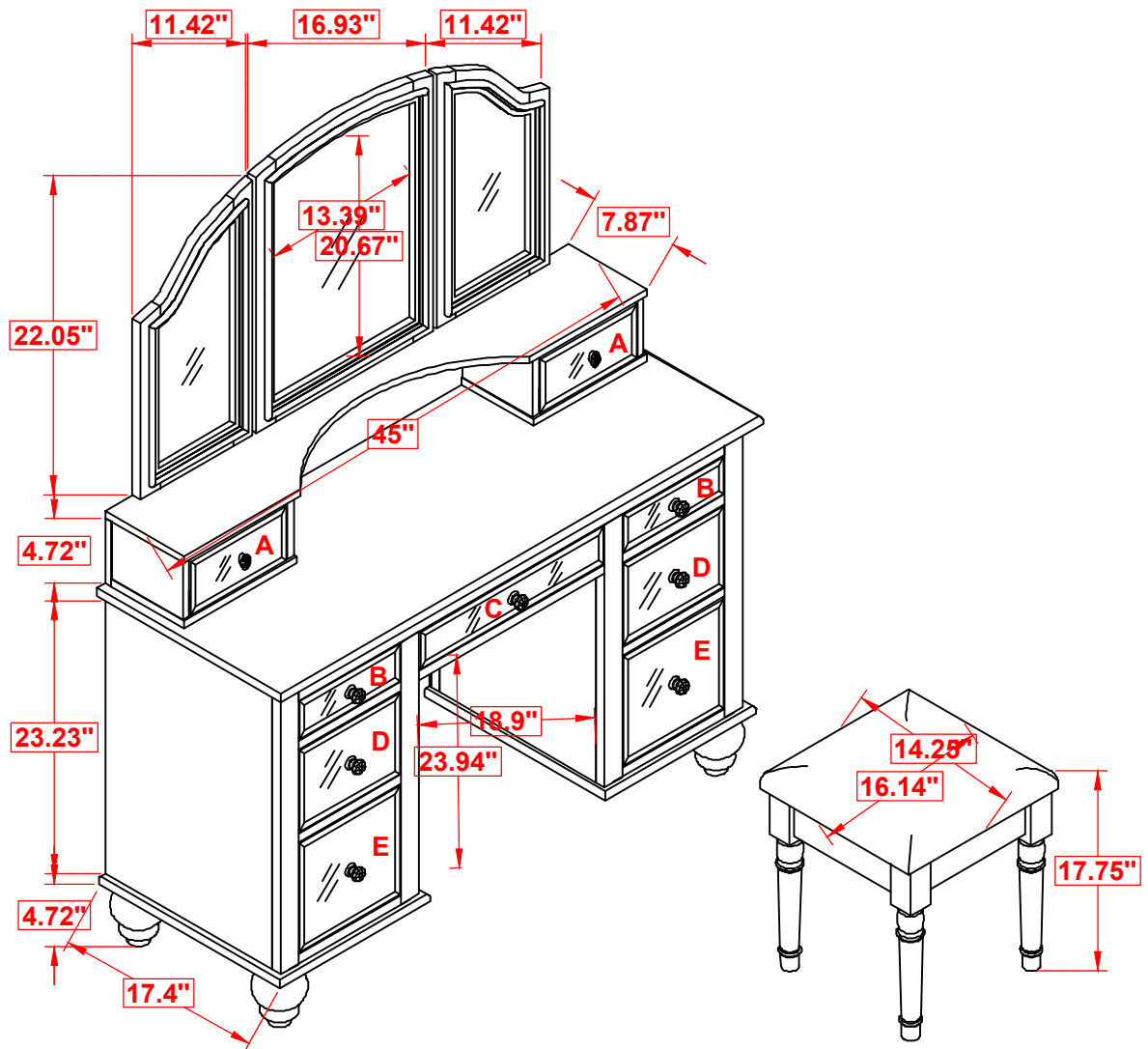


STEP 10
COMPLETE



ITEM: 930133

INNER SIZE OF DRAWER A 8.07" X 5.31" X 3.94"
INNER SIZE OF DRAWER B 8.07" X 12.6" X 1.97"
INNER SIZE OF DRAWER C 16.93" X 9.45" X 1.97"
INNER SIZE OF DRAWER D 8.07" X 12.6" X 4.92"
INNER SIZE OF DRAWER E 8.07" X 12.6" X 4.53"



NOTE: Dimension tolerance $\pm 5\%$