



ASSEMBLY INSTRUCTIONS COASTER FINE FURNITURE



Fine Furniture for every stage of life

204394
Mirror

REVISION 0 : 06/17/2015
REVISION 1 : 06/24/2016
REVISION 2 : 01/21/2020

ITEM: **204394**

ASSEMBLY INSTRUCTIONS



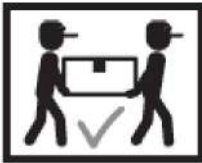
ASSEMBLY TIPS:

- 1 . Remove hardware from box and sort by size.
- 2 . Please check to see that all hardware and parts are present prior to start of assembly.
- 3 . Please follow attached instructions in the same sequence as numbered to assure fast & easy assembly.

WARNING !



- 1 . Don't attempt to repair or modify parts that are broken or defective. Please contact the store immediately.
- 2 . This product is for home use only and not intended for commercial establishment.

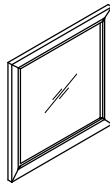


ASSEMBLY TIME

20 MINUTES

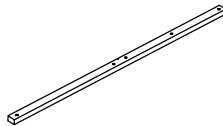
PARTS IDENTIFICATION

A MIRROR



1PC

B MIRROR SUPPORT
(PACKAGED WITH
DRESSER)



2PCS

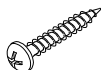
C DRESSER
FROM BOX
ITEM#204393



1PC

HARDWARE IDENTIFICATION

1 PAN HEAD SCREW
(M4 X32mm - BLK)



8PCS

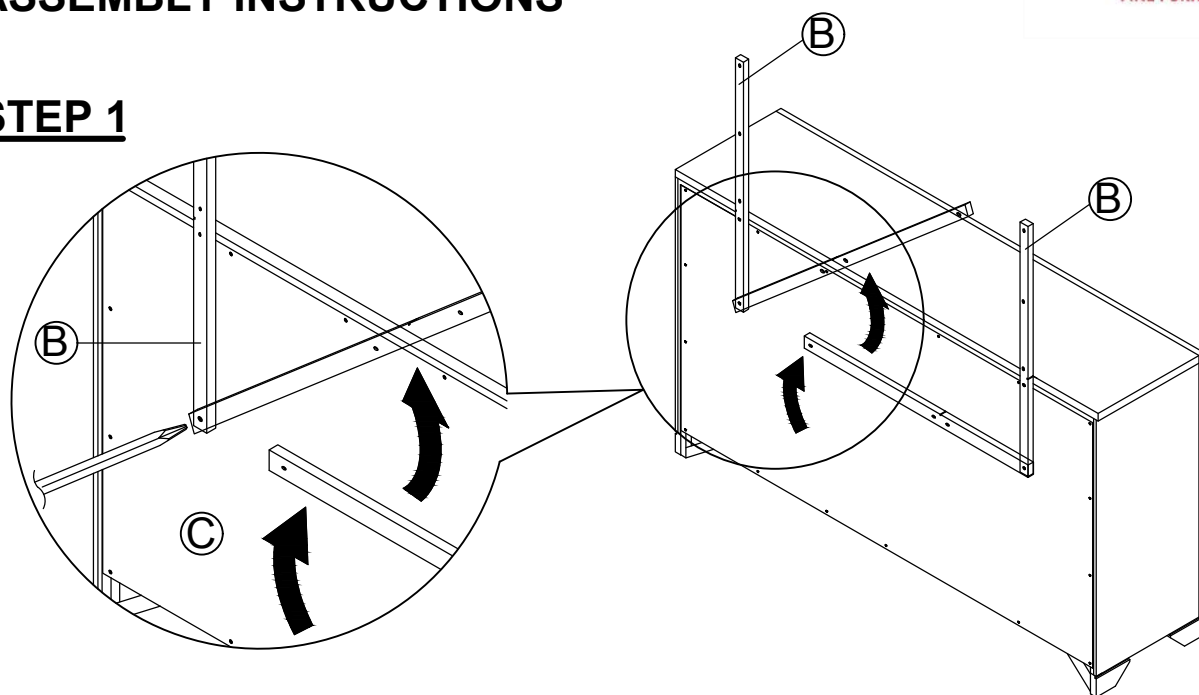
NOTE:

Philips head screw driver in the assembly process ; however, manufacturer does not provide the item

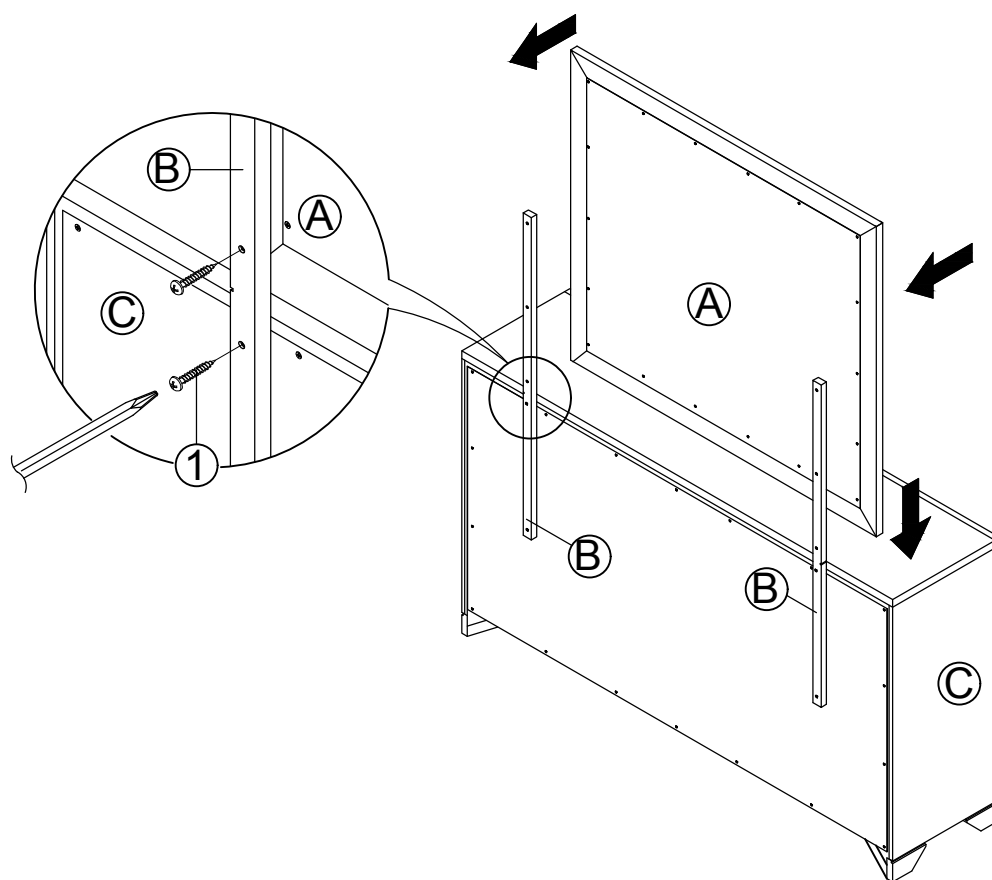
ITEM: **204394**
ASSEMBLY INSTRUCTIONS



STEP 1



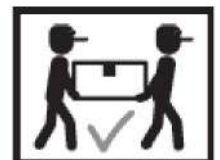
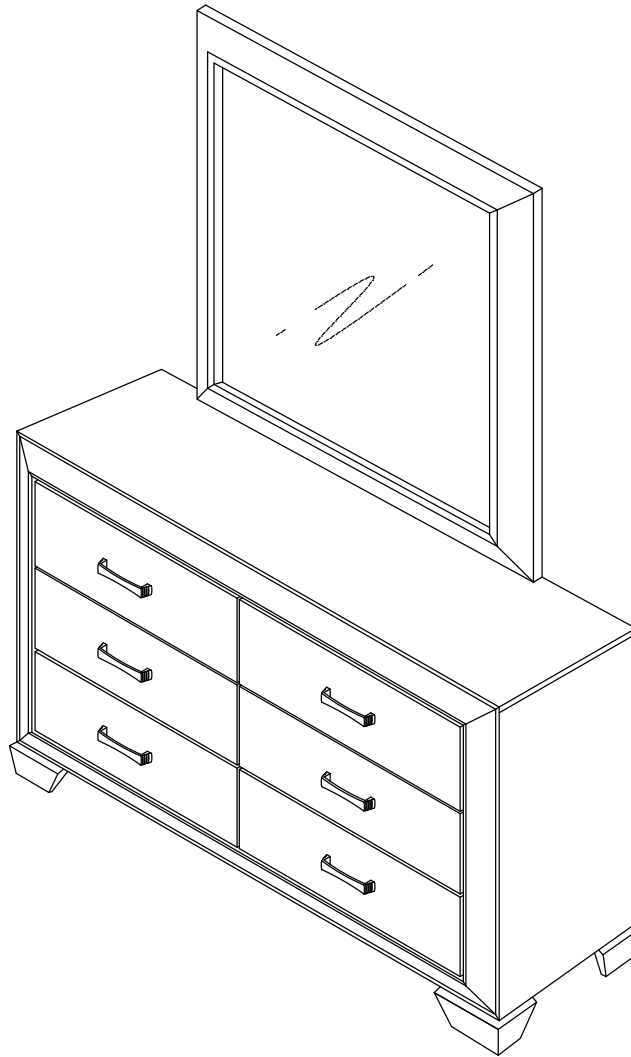
STEP 2



ITEM: **204394**
ASSEMBLY INSTRUCTIONS



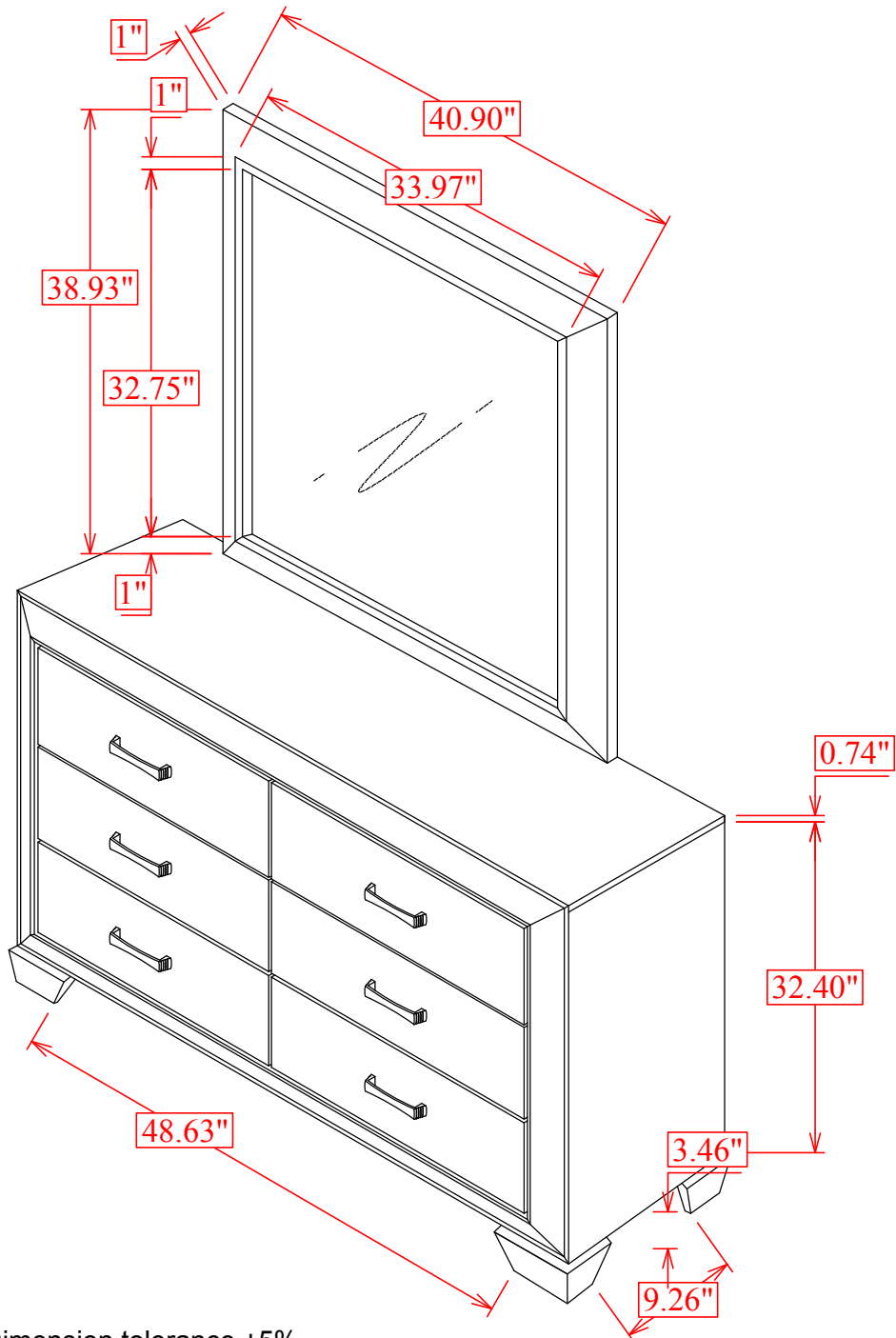
STEP 3
COMPLETE



ITEM: **204394**



INNER SIZE OF MIRROR : 0.11" X 32.63" X 34.60"



Note: Dimension tolerance $\pm 5\%$