



ASSEMBLY INSTRUCTIONS COASTER FINE FURNITURE



Fine Furniture for every stage of life

204392
Nightstand

ITEM: **204392**



ASSEMBLY INSTRUCTIONS

ASSEMBLY TIPS:

- 1 . Remove hardware from box and sort by size.
- 2 . Please check to see that all hardware and parts are present prior to start of assembly.
- 3 . Please follow attached instructions in the same sequence as numbered to assure fast & easy assembly.



WARNING !

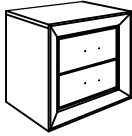




- 1 . Don't attempt to repair or modify parts that are broken or defective. Please contact the store immediately.
- 2 . This product is for home use only and not intended for commercial establishment.



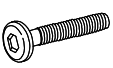



ASSEMBLY TIME

20 MINUTES

PARTS IDENTIFICATION

A	NIGHTSTAND		1PC	D	RIGHT BACK LEG (WITH BR LABEL)		1PC
B	RIGHT FRONT LEG (WITH FR LABEL)		1PC	E	LEFT BACK LEG (WITH BL LABEL)		1PC
C	LEFT FRONT LEG (WITH FL LABEL)		1PC				

HARDWARE IDENTIFICATION

1	BOLT (M6 x30mm - BLK)		8PCS	3	FLAT WASHER (1/4" x20mm - BLK)		8PCS
2	LOCK WASHER (1/4" - BLK)		8PCS	4	ALLEN WRENCH (M4 x 65mm - BLK)		1PC

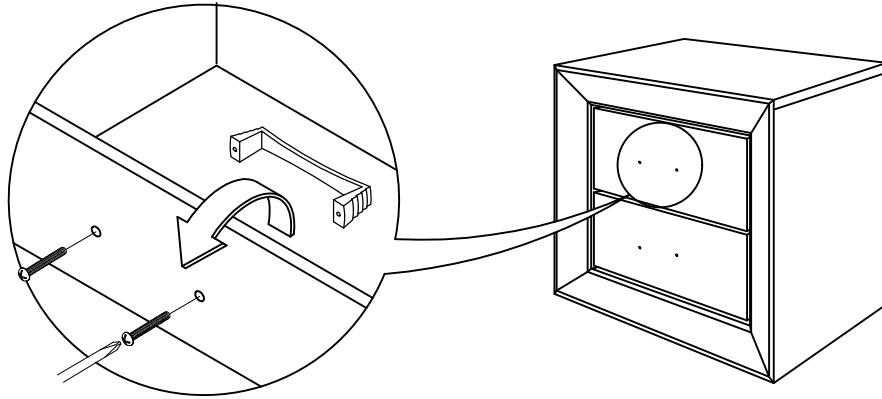
NOTE:

Philips head screw driver in the assembly process ; however, manufacturer does not provide the item

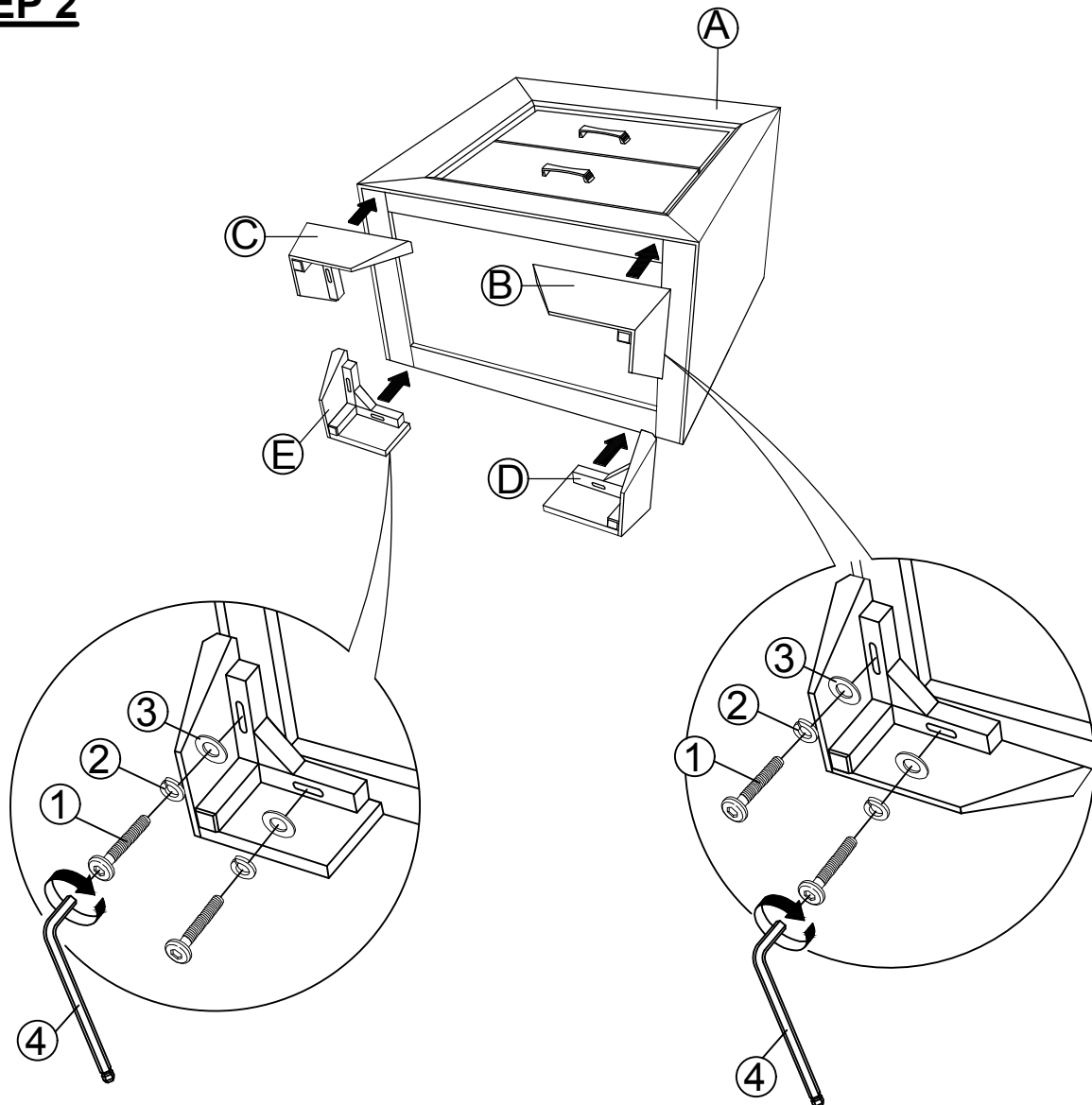
ITEM: **204392**
ASSEMBLY INSTRUCTIONS



STEP 1



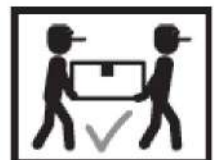
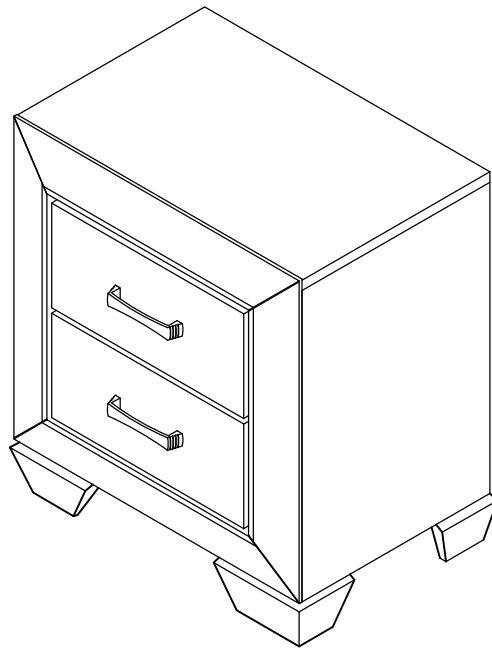
STEP 2



ITEM: **204392**
ASSEMBLY INSTRUCTIONS



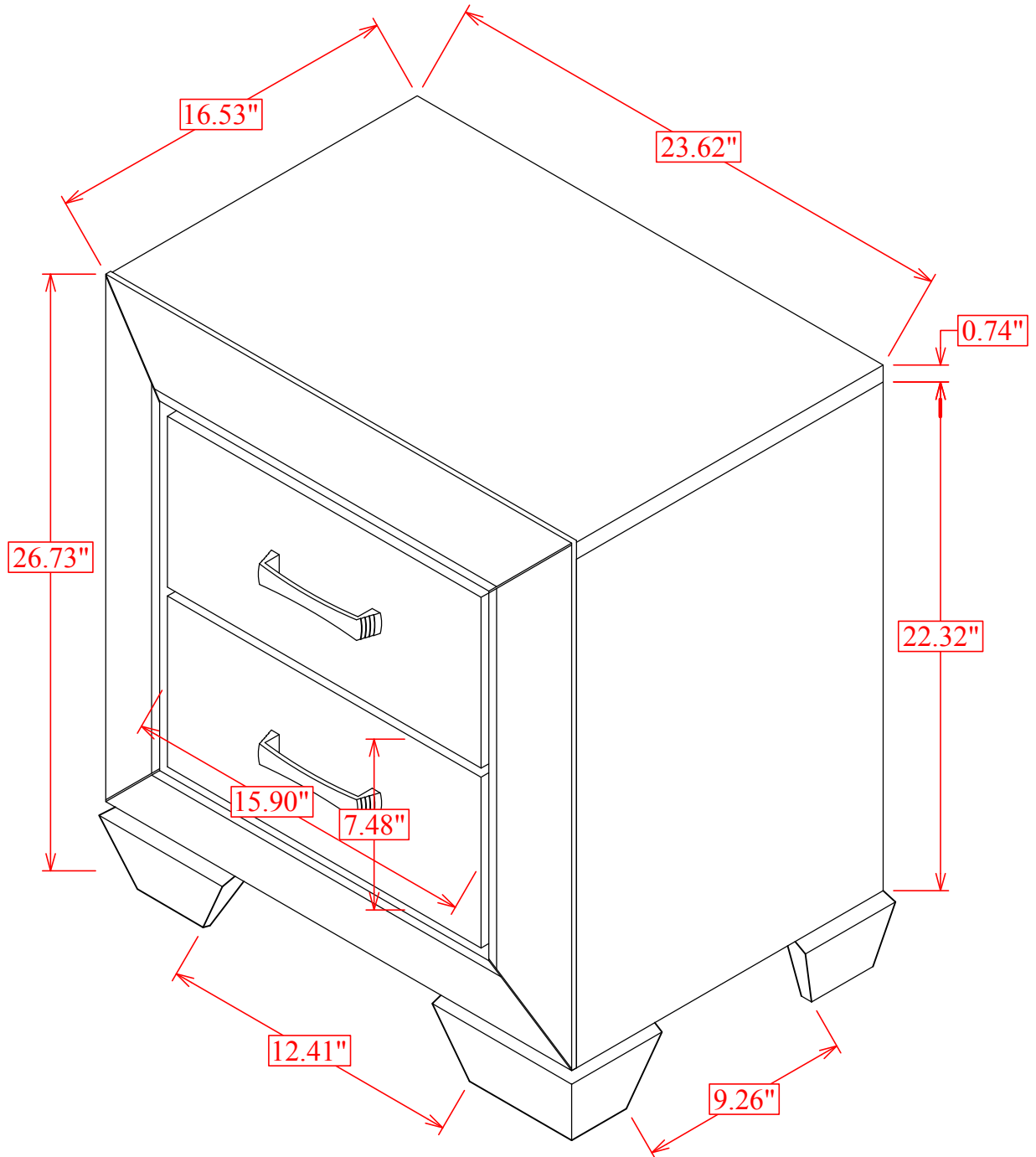
STEP 3
COMPLETE



ITEM: **204392**



INNER SIZE OF DRAWER : 5.78" X 13.38" X 13.58"



Note: Dimension tolerance $\pm 5\%$