



*ASSEMBLY INSTRUCTIONS
COASTER FINE FURNITURE*



Fine Furniture for every stage of life

650403PP

POWER2 RECLINER

REVISION 0:05/20/2019
REVISION 1:07/01/2019
REVISION 2:01/03/2020
REVISION 3:09/14/2020
REVISION 4:11/24/2020

COASTERFURNITURE.COM

PAGE 1 OF 3

ITEM: **650403PP**

ASSEMBLY INSTRUCTIONS



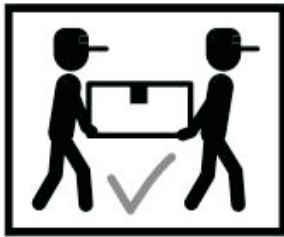
ASSEMBLY TIPS:

1. Remove hardware from box and sort by size.
2. Please check to see that all hardware and parts are present prior to start of assembly.
3. Please follow attached instructions in the same sequence as numbered to assure fast & easy assembly.



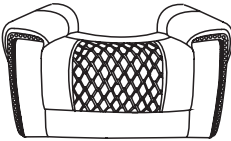



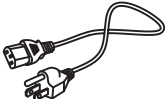
WARNING!

1. Don't attempt to repair or modify parts that are broken or defective. Please contact the store immediately.
2. This product is for home use only and not intended for commercial establishments.



ASSEMBLY TIME PER UNIT	5 MINUTES
-------------------------------	------------------

PARTS IDENTIFICATION

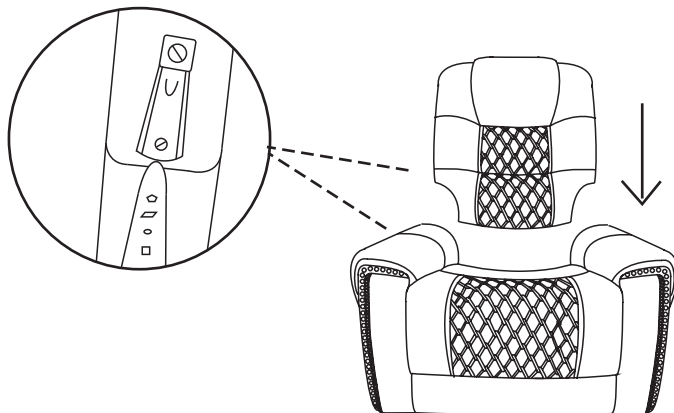
A		BASE	1PC
B		LEFT BACK	1PC
C		LEFT EAR	1PC
D		RIGHT EAR	1PC
E		POWER CABLE	1PC

ITEM: 650403PP

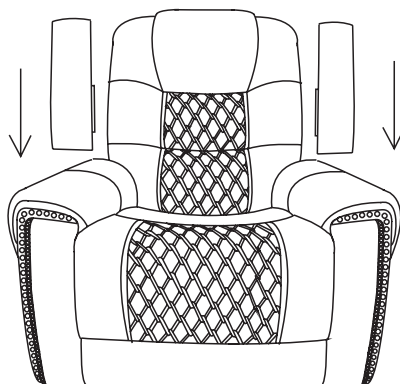
ASSEMBLY INSTRUCTIONS



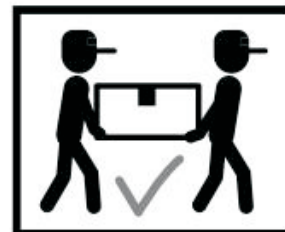
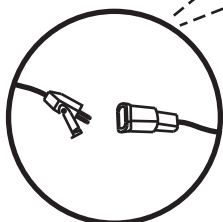
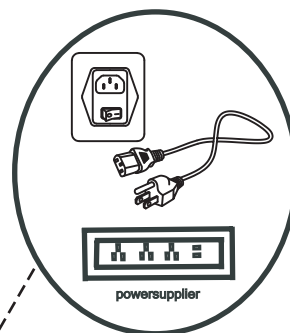
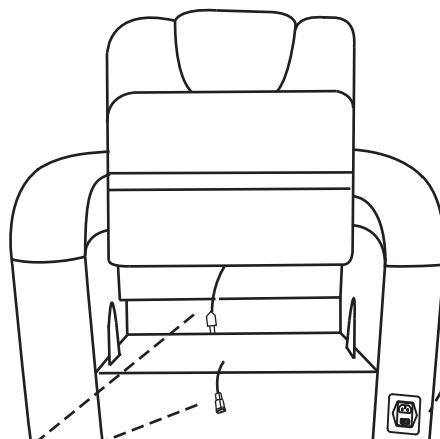
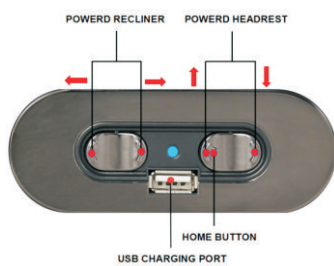
STEP 1



STEP 2



STEP 3



ITEM: 650403PP



Note : Dimension tolerance $\pm 5\%$