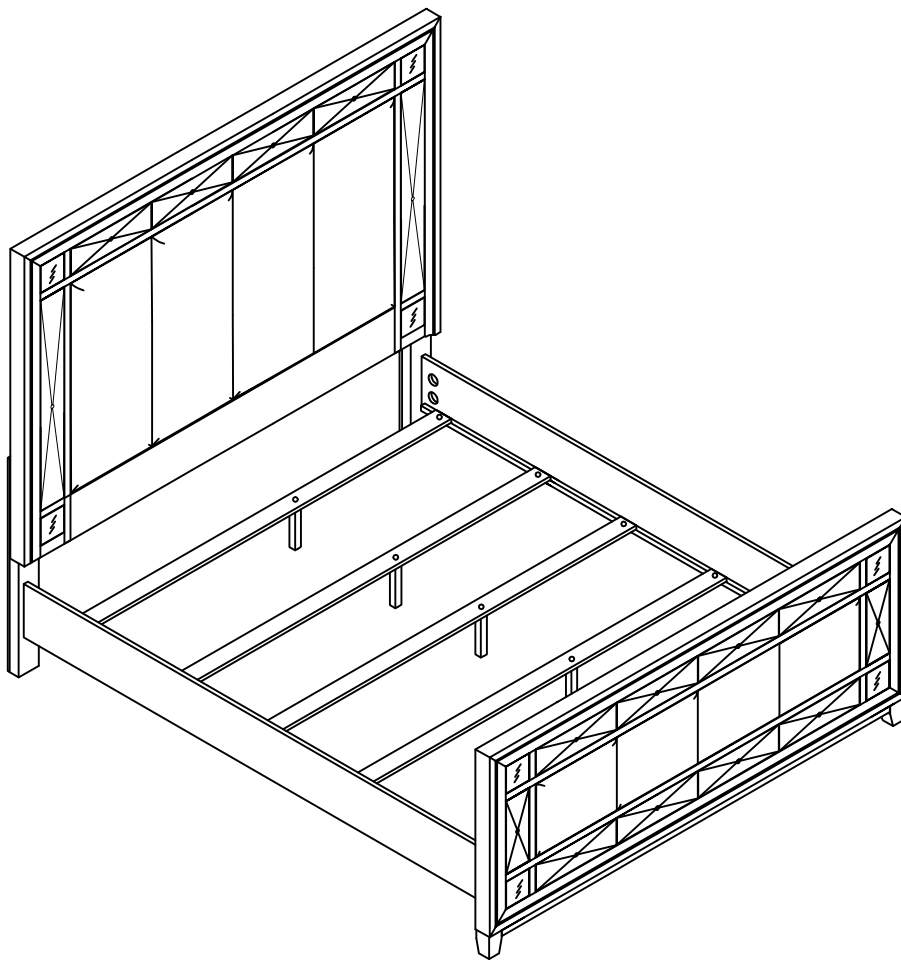


ASSEMBLY INSTRUCTIONS
COASTER FINE FURNITURE



Fine Furniture for every stage of life

204921Q (B1-B3)
Queen Bed

ITEM: 204921Q (B1-B3)



ASSEMBLY INSTRUCTIONS

ASSEMBLY TIPS:

1. Remove hardware from box and sort by size
2. Please check to see that all hardware and parts are present prior to start of assembly.
3. Please follow attached instruction in the same sequence as numbered to assure fast & easy assembly.



WARNING!

1. Don't attempt to repair or modify parts that are broken or defective. Please contact the store immediately.
2. This product is for home use only and not intended for commercial establishments.



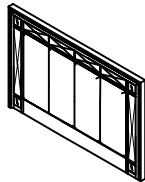
ASSEMBLY TIME

20 MINUTES

PARTS IDENTIFICATION

B1 (BOX 1)

AN HEADBOARD
PANEL



1PC

BN LEFT HEADBOARD
LEG



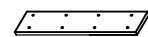
1PC

CN RIGHT HEADBOARD
LEG



1PC

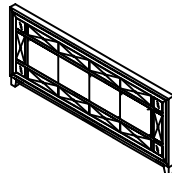
DN WOOD CLEAT



2PCS

B2 (BOX 2)

EN FOOTBOARD



1PC

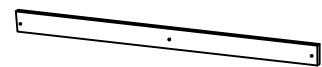
B3 (BOX 3)

FN BED RAIL



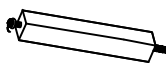
2PCS

GN BED SLAT



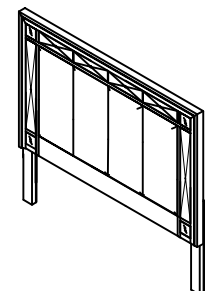
4PCS

HN BED SLAT SUPPORT
WITH LEVELER



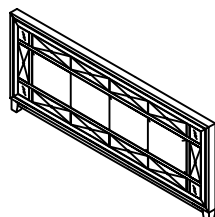
4PCS

HBN 204921Q (B1)
FROM BOX 1
HEADBOARD
COMPLETE



1PC

EN 204921Q (B2)
FROM BOX 2
FOOTBOARD



1PC

ITEM:204921Q (B1-B3)



ASSEMBLY INSTRUCTIONS

ASSEMBLY TIPS:

1. Remove hardware from box and sort by size
2. Please check to see that all hardware and parts are present prior to start of assembly.
3. Please follow attached instruction in the same sequence as numbered to assure fast & easy assembly.



WARNING!

1. Don't attempt to repair or modify parts that are broken or defective. Please contact the store immediately.
2. This product is for home use only and not intended for commercial establishments.

HARDWARE IDENTIFICATION

Z-B1 (BOX 1) - HARDWARE PACK IS LOCATED IN 204921Q (B1)

1 BOLT
(5/16" x 38mm - RBW)



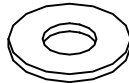
16PCS

2 LOCK WASHER
(5/16" - RBW)



16PCS

3 FLAT WASHER
(5/16" - RBW)



16PCS

4 ALLEN WRENCH
(4MM - RBW)



1PC

Z-B3 (BOX 3) - HARDWARE PACK IS LOCATED IN 204921Q (B3)

5 THREADED BOLT
(5/16" x 3" - RBW)



8PCS

6 U-SQUARE WASHER
(5/16" - RBW)



8PCS

7 HEX NUT
(5/16" x 14mm - RBW)



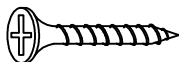
8PCS

8 WRENCH
(14MM-RBW)



1PC

9 FLAT HEAD SCREW
(Ø4 x 30mm - RBW)



8PCS

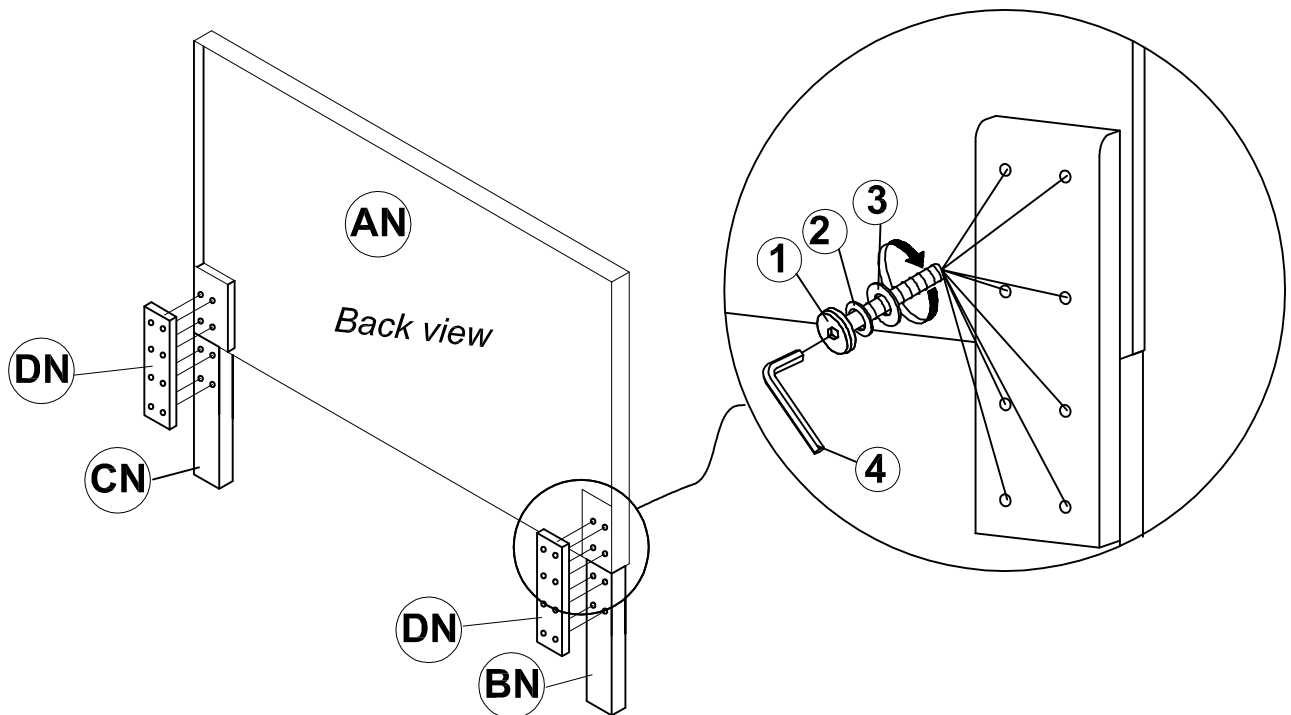
NOTE:

Phillips head screw driver is required in the assembly process; however, manufacturer does not provide this item.

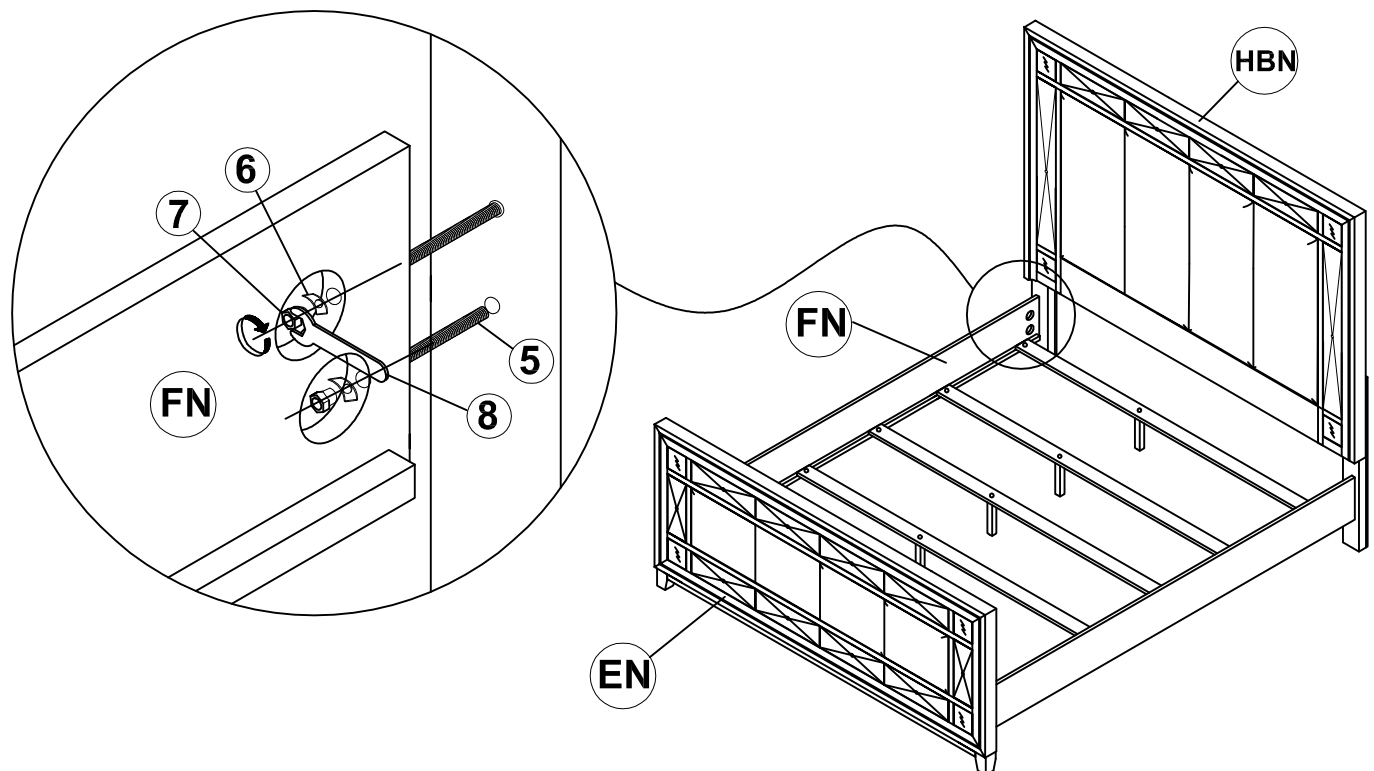
ITEM: **204921Q (B1-B3)**

ASSEMBLY INSTRUCTIONS

STEP 1



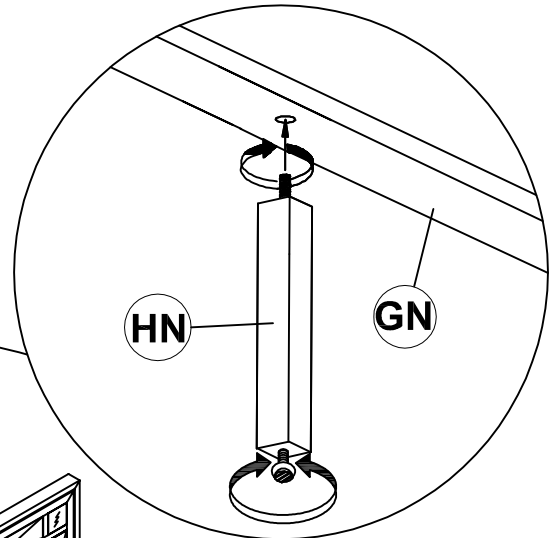
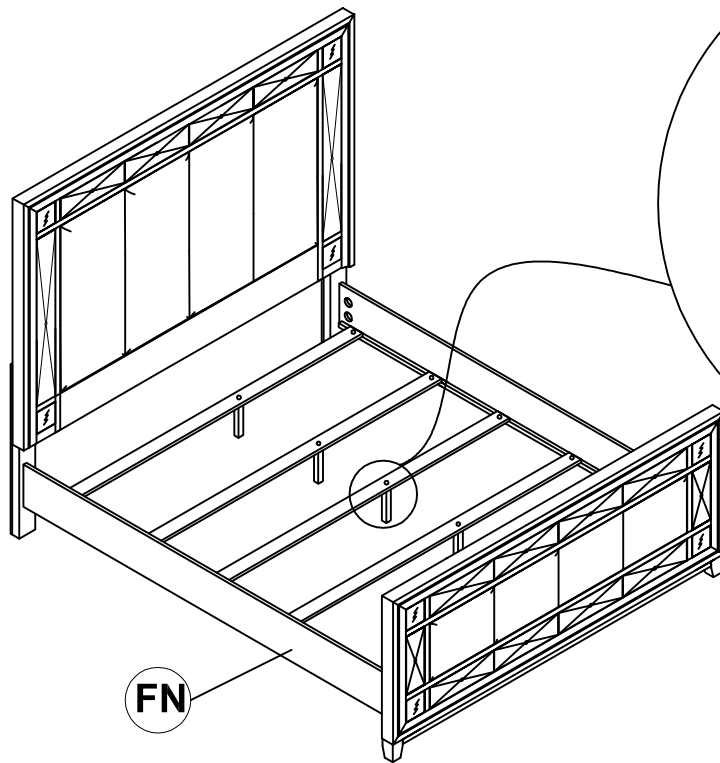
STEP 2



ITEM: 204921Q (B1-B3)

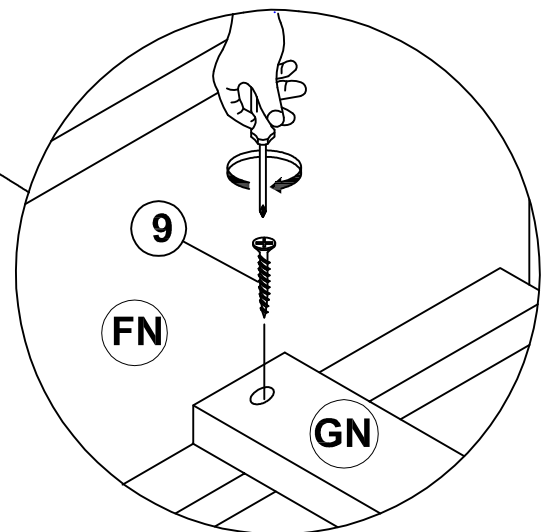
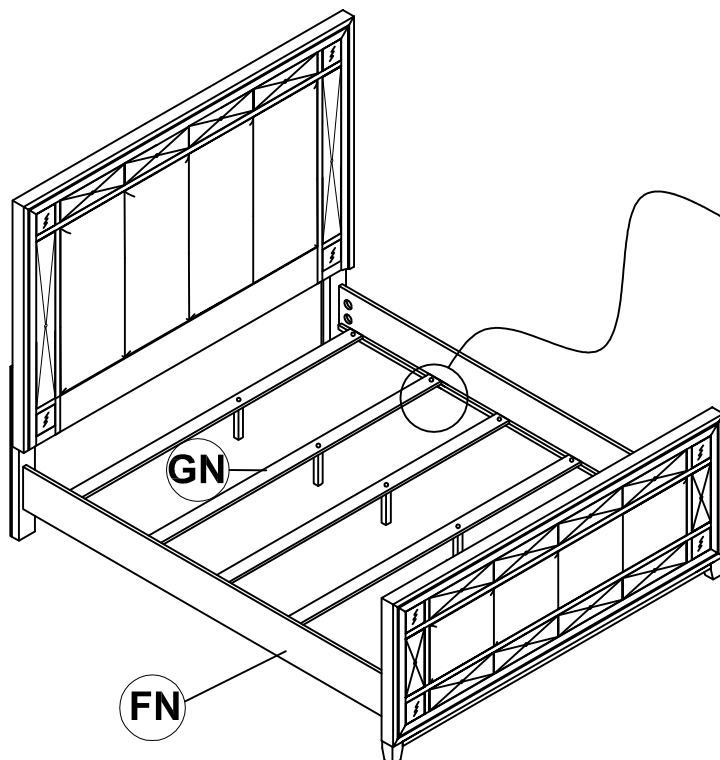
ASSEMBLY INSTRUCTIONS

STEP 3



Adjustable

STEP 4

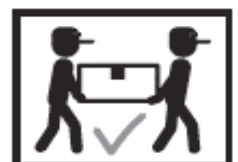
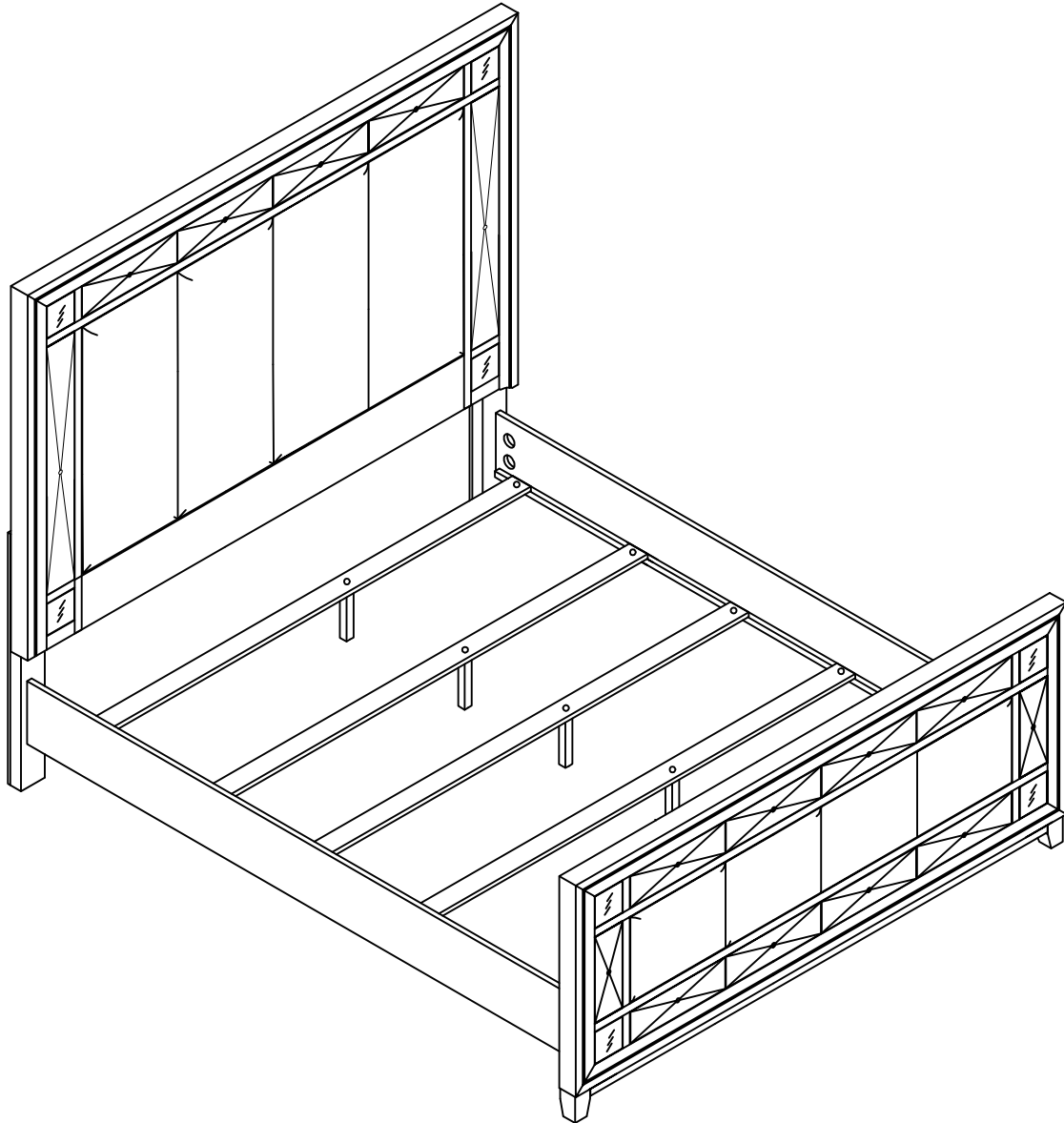


ITEM: **204921Q (B1-B3)**

ASSEMBLY INSTRUCTIONS

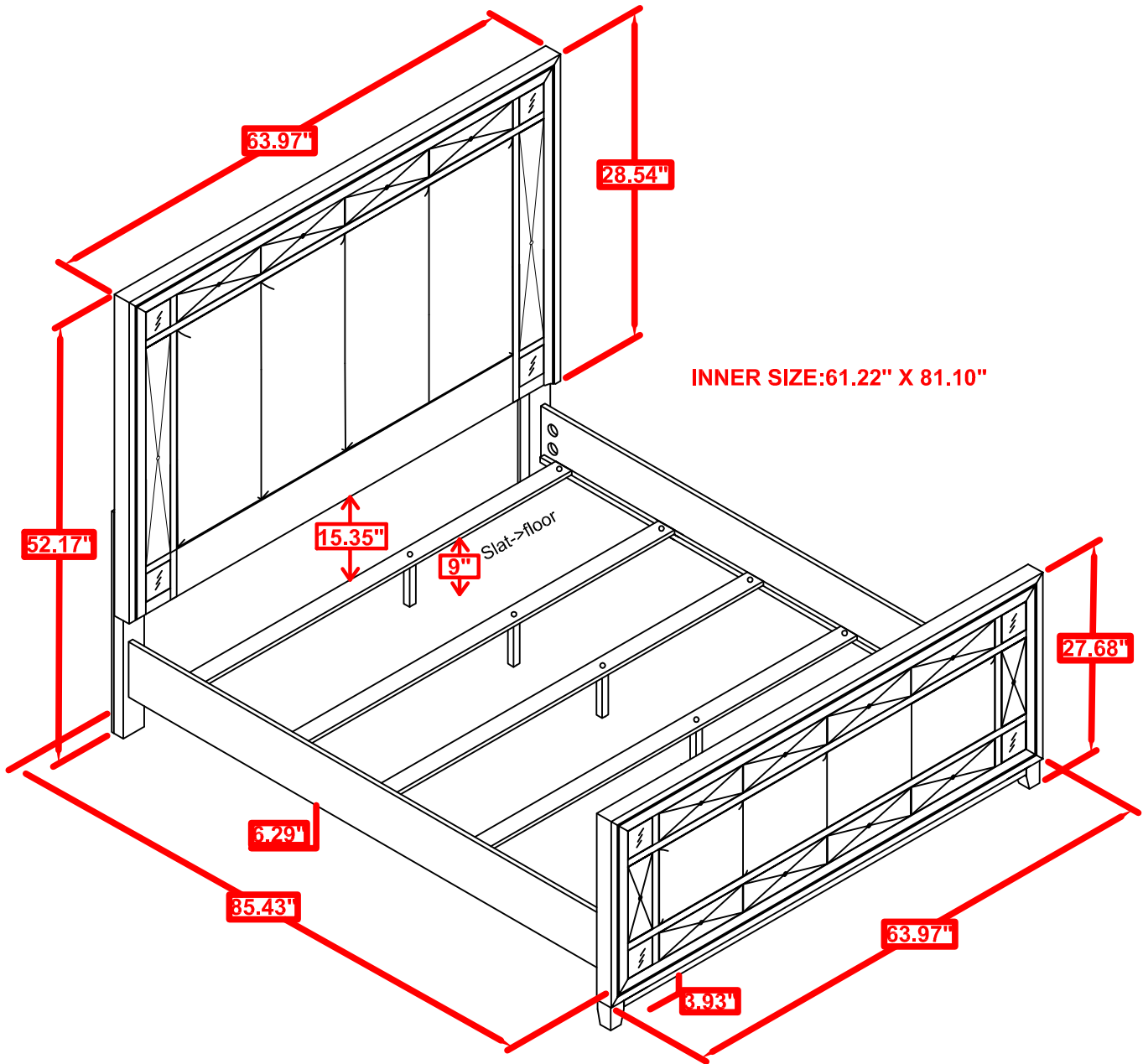
STEP 5

COMPLETE



ITEM:204921Q (B1-B3)

COASTER
FINE FURNITURE



Note:Dimension tolerance $\pm 5\%$