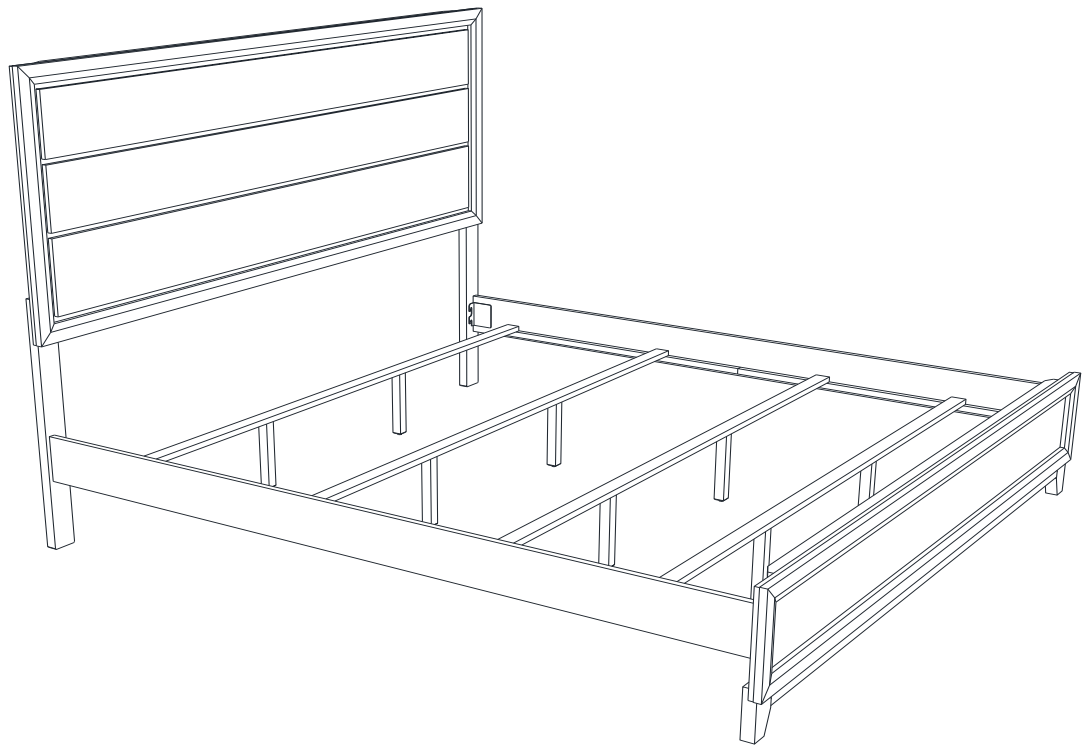


**ASSEMBLY INSTRUCTIONS**  
**COASTER FINE FURNITURE**



*Fine Furniture for every stage of life*

**212421KE (B1&B2)**  
**Eastern King Bed**

REVISION 0 : 10/16/2017  
REVISION 1 : 08/09/2018  
REVISION 2 : 08/28/2018  
REVISION 3 : 01/02/2019  
REVISION 4 : 12/13/2019

# ITEM: 212421KE (B1&B2)



## ASSEMBLY INSTRUCTIONS

### ASSEMBLY TIPS:

1. Remove hardware from box and sort by size.
2. Please check to see that all hardware and parts are present prior to start of assembly.
3. Please follow attached instructions in the same sequence as numbered to assure fast & easy assembly.



### WARNING!

1. Don't attempt to repair or modify parts that are broken or defective. Please contact the store immediately.
2. This product is for home use only and not intended for commercial establishments.



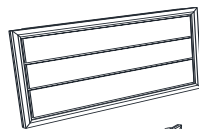
**ASSEMBLY TIME**

**20 MINUTES**

## PARTS IDENTIFICATION

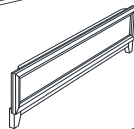
### B1 ( BOX 1 )

**A HEADBOARD PANEL**



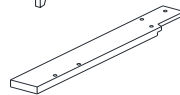
1PC

**B FOOTBOARD**



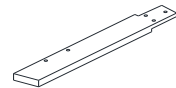
1PC

**C RIGHT HEADBOARD LEG**



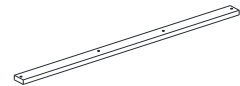
1PC

**D LEFT HEADBOARD LEG**



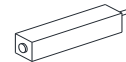
1PC

**E BED SLAT**



4PCS

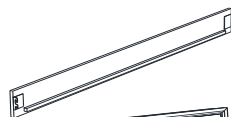
**F BED SLAT SUPPORT WITH LEVELER**



8PCS

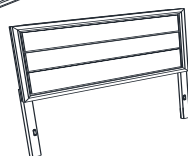
### B2 ( BOX 2 )

**G BED RAIL**



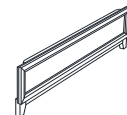
2PCS

**HB 212421KE(B1) FROM BOX 1 HEADBOARD COMPLETE**



1PC

**B 212421KE(B1) FROM BOX 1 FOOTBOARD**



1PC

## HARDWARE IDENTIFICATION

### Z-B1 (BOX 1) - HARDWARE PACK IS LOCATED IN 212421KE (B1)

**1 BOLT (M6 x 30mm - BLK)**



6PCS

**2 LOCK WASHER (1/4" - BLK)**



6PCS

**3 FLAT WASHER (1/4" ID x 13mm - BLK)**



6PCS

**4 SMALL ALLEN WRENCH (M4 x 60mm - BLK)**



1PC

**5 BIG ALLEN WRENCH (M5 x 65mm - BLK)**



1PC

**6 FLAT HEAD SCREW (M4 x 32mm - RBW)**



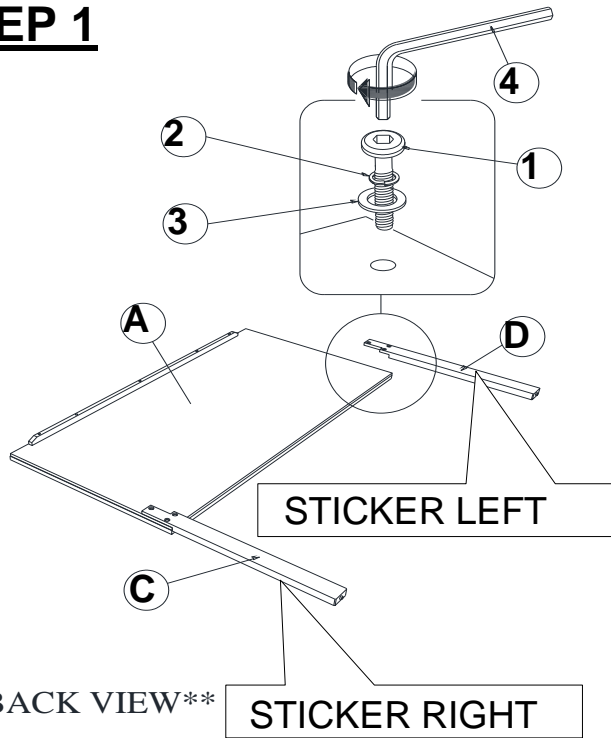
8PCS

### NOTE:

Phillips head screw driver is required in the assembly process; however, manufacturer does not provide this item.

## ASSEMBLY INSTRUCTIONS

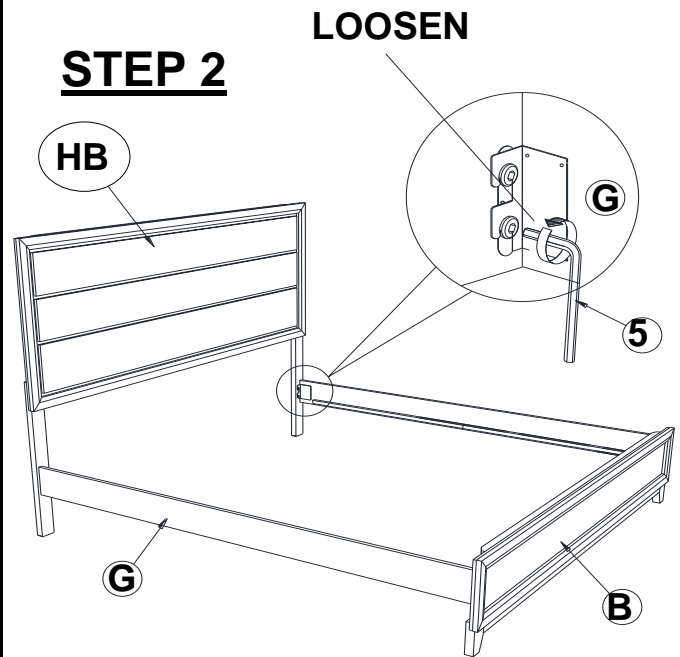
### STEP 1



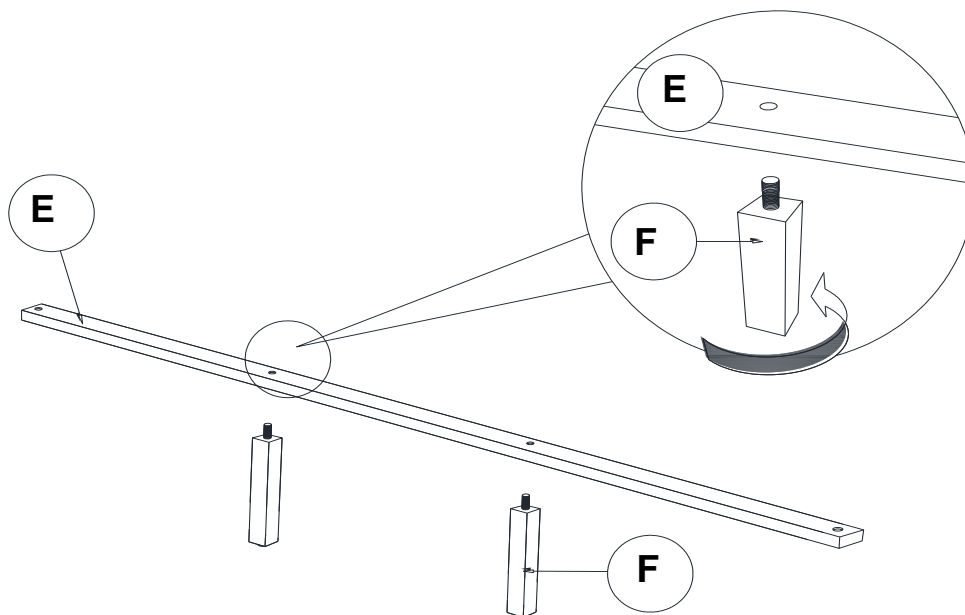
\*\*BACK VIEW\*\*

Note: Please take note of the marking sticker (L & R) on the headboard legs.

### STEP 2

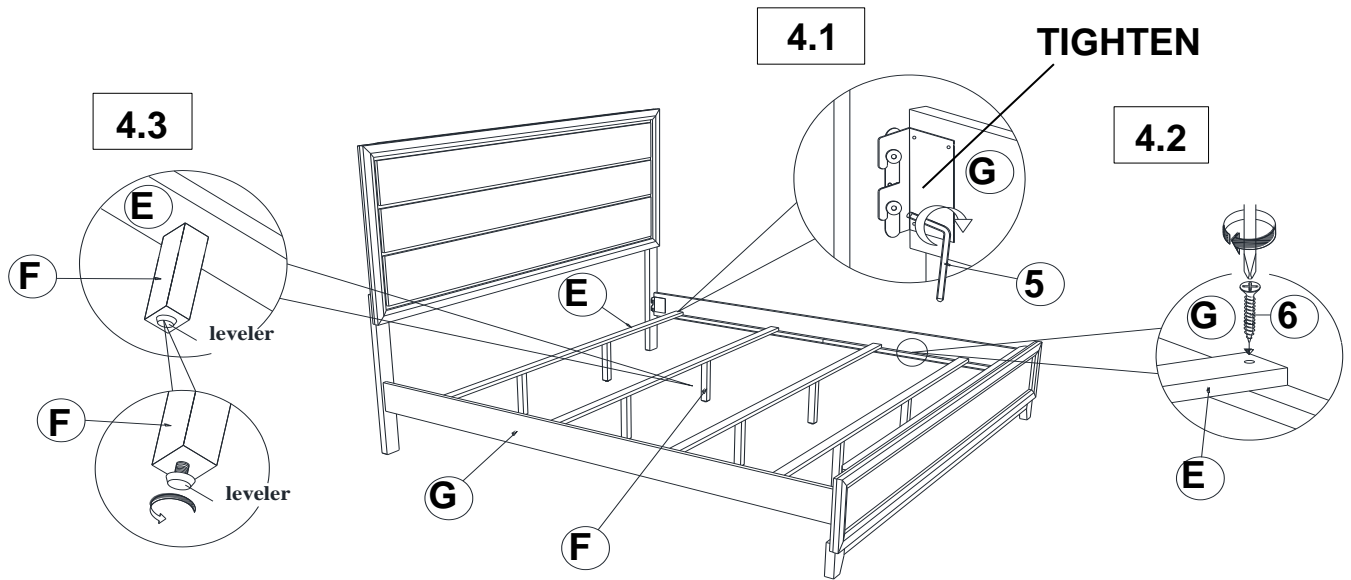


### STEP 3

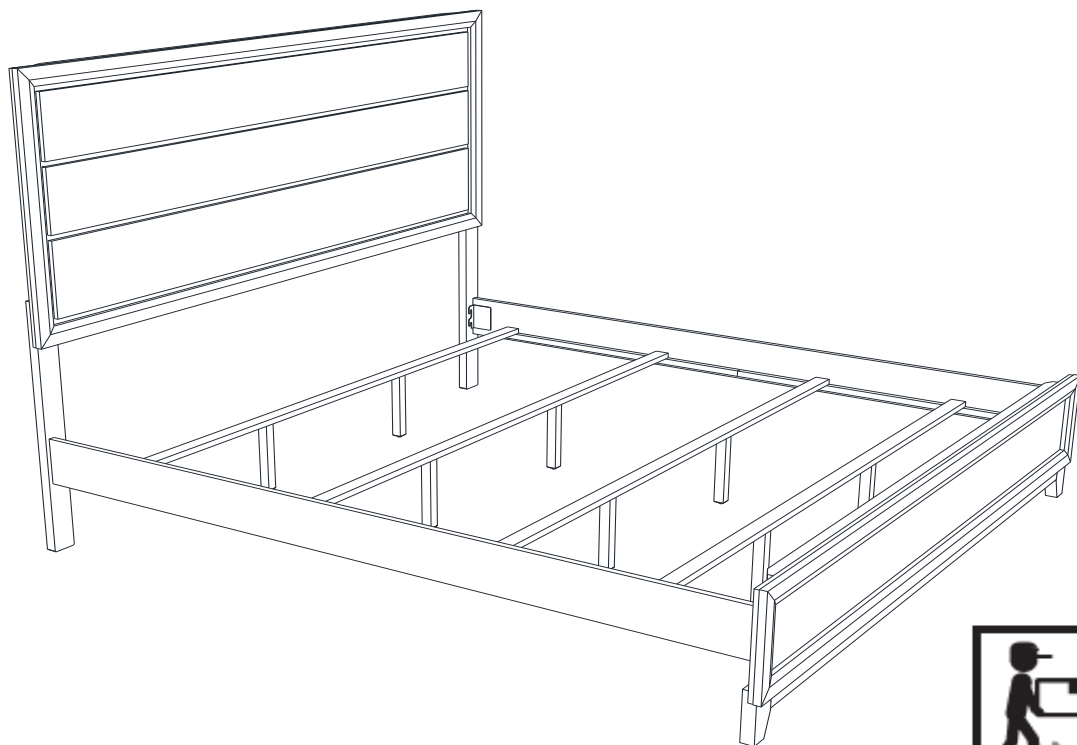


**ASSEMBLY INSTRUCTIONS**

**STEP 4**

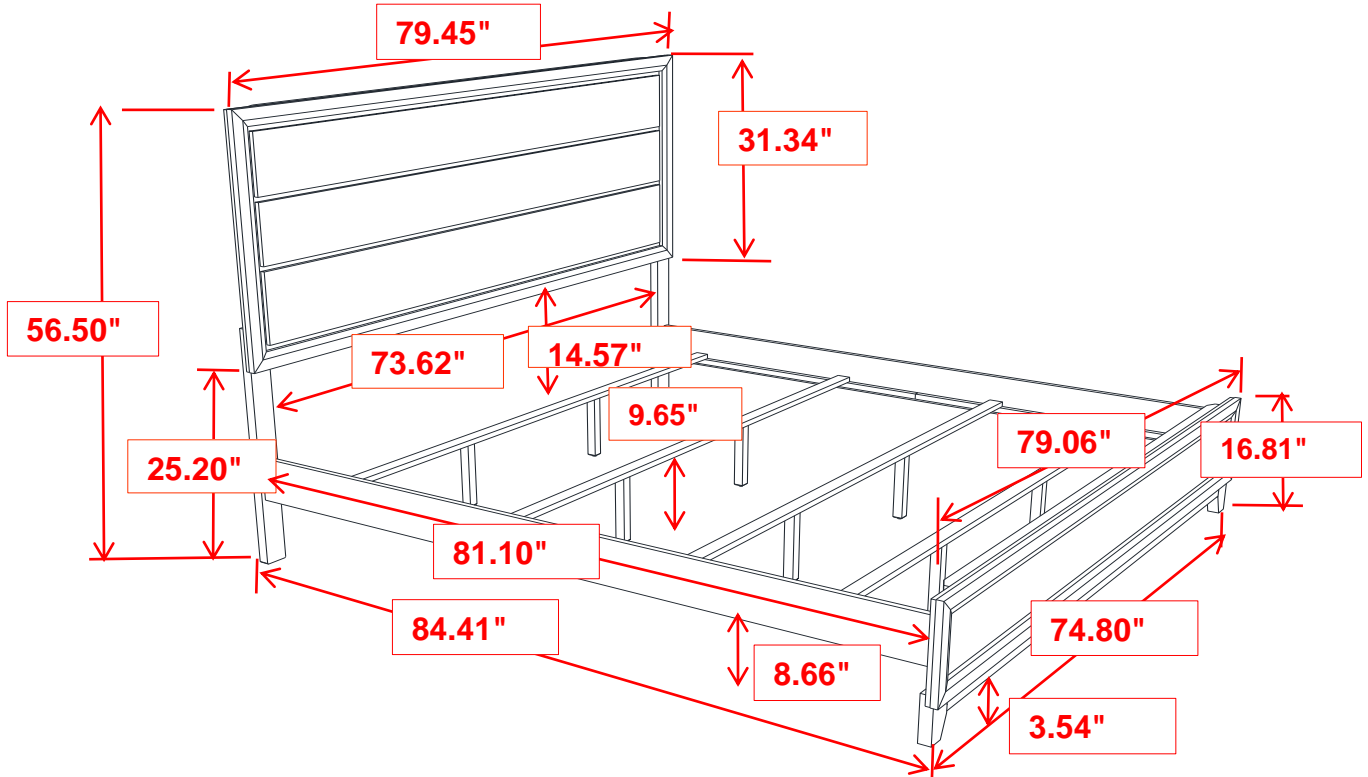


**STEP 5**  
**COMPLETE**



# ITEM: 212421KE (B1&B2)

INNER SIZE : 76.93" X 81.10"



**Note :** Dimension tolerance  $\pm 5\%$