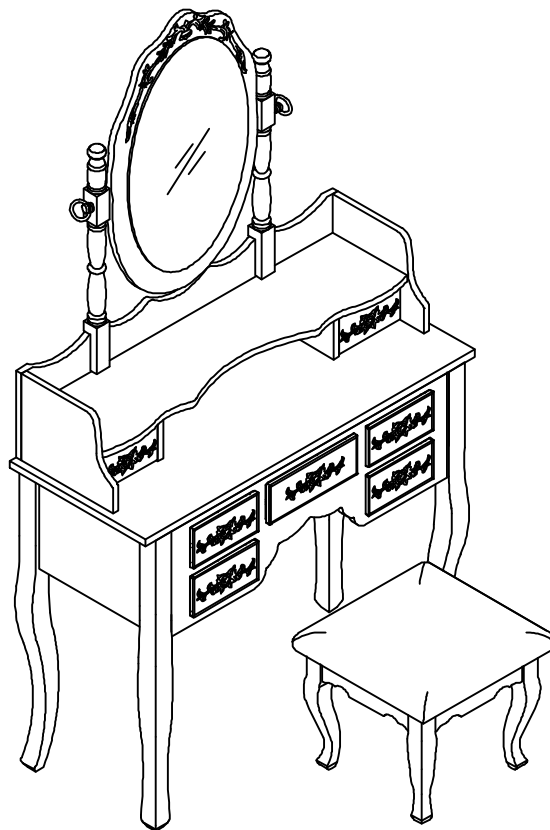


ASSEMBLY INSTRUCTIONS
COASTER FINE FURNITURE



Fine Furniture for every stage of life

930137
3PC Vanity Set

ITEM : **930137**

ASSEMBLY INSTRUCTIONS

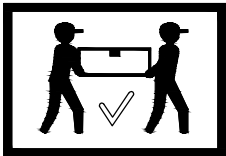
ASSEMBLY TIPS:

- 1.Remove hardware from box and sort by size.
- 2.Please check to see that all hardware and parts are present prior to start of assembly.
- 3.Please follow attached instructions in the same sequence as numbered to assure fast & easy assembly.

WARNING!










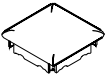



1. Don't attempt to repair or modify parts that are broken or defective. Please contact the store immediately.
2. This product is for home use only and not intended for commercial establishments.



ASSEMBLY TIME

20 MINUTES

PARTS IDENTIFICATION

A	VANITY MIRROR		1PC	G	MIRROR DRAWER		2PCS
B	MIRROR SUPPORT		2PCS	H	DESK		1PC
C	MIDDLE PANEL		2PCS	I	DESK LEG		4PCS
D	TOP PANEL		1PC	J	STOOL SEAT CUSHION WITH FRAME		1PC
E	SIDE PANEL		2PCS	K	STOOL LEG		4PCS
F	BACK PANEL		1PC				

ITEM : **930137**

ASSEMBLY INSTRUCTIONS

ASSEMBLY TIPS:









1. Remove hardware from box and sort by size.
2. Please check to see that all hardware and parts are present prior to start of assembly.
3. Please follow attached instructions in the same sequence as numbered to assure fast & easy assembly.

WARNING!



1. Don't attempt to repair or modify parts that are broken or defective. Please contact the store immediately.
2. This product is for home use only and not intended for commercial establishments.

HARDWARE IDENTIFICATION

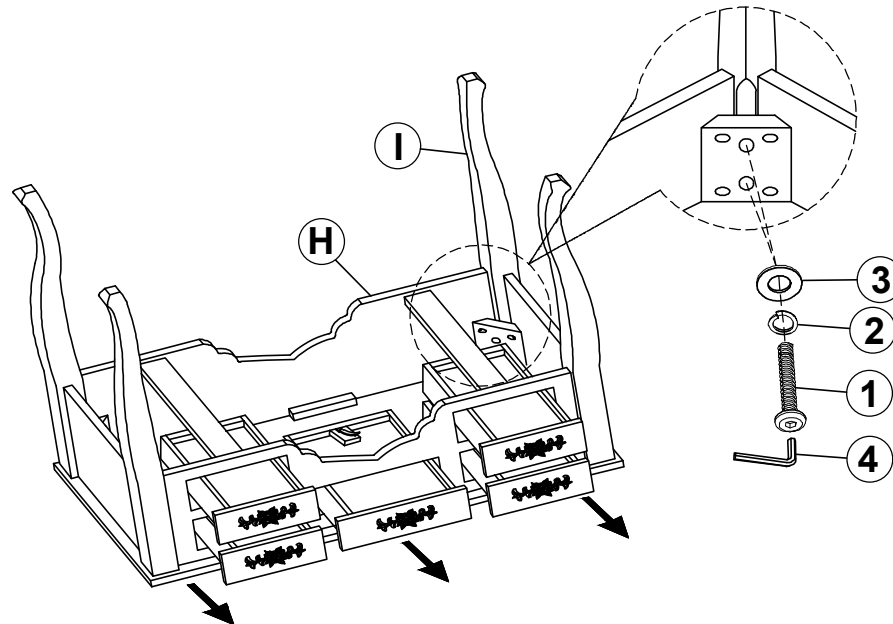
1	BOLT (Ø1/4" x 2" - RBW)		21PCS	5	BARREL NUT (Ø1/4" - RBW)		5PCS
2	LOCK WASHER (Ø1/4" - RBW)		16PCS	6	PAN HEAD SCREW (Ø5/32" x 1" - RBW)		4PCS
3	BIG FLAT WASHER (Ø5/16" - RBW)		16PCS	7	RING BOLT (Ø5/16" x 1-3/4" - BLK)		2PCS
4	ALLEN WRENCH (4MM - RBW)		1PC	8	SMALL FLAT WASHER (Ø1/4" - RBW)		4PCS

NOTE:

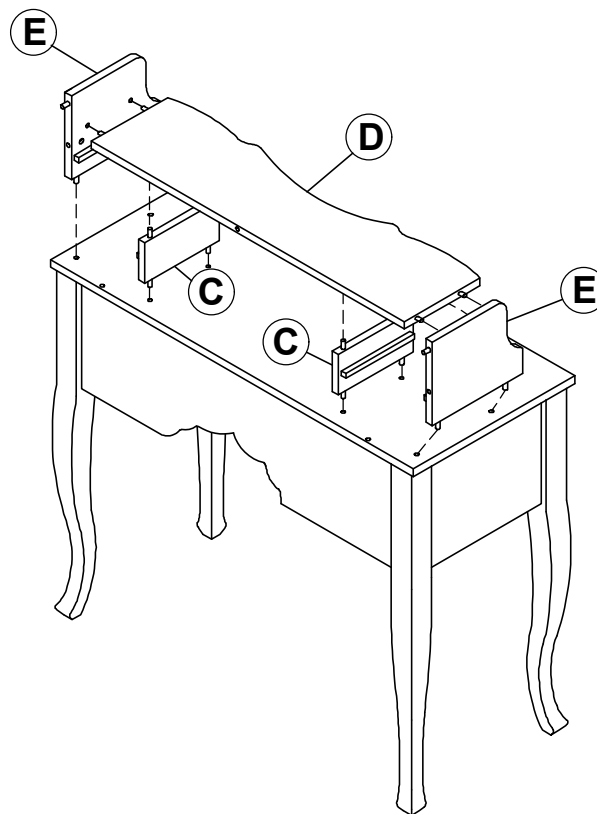
Phillips head screw driver is required in the assembly process; however, manufactures does not provide this item.

ITEM : 930137

ASSEMBLY INSTRUCTIONS
STEP 1

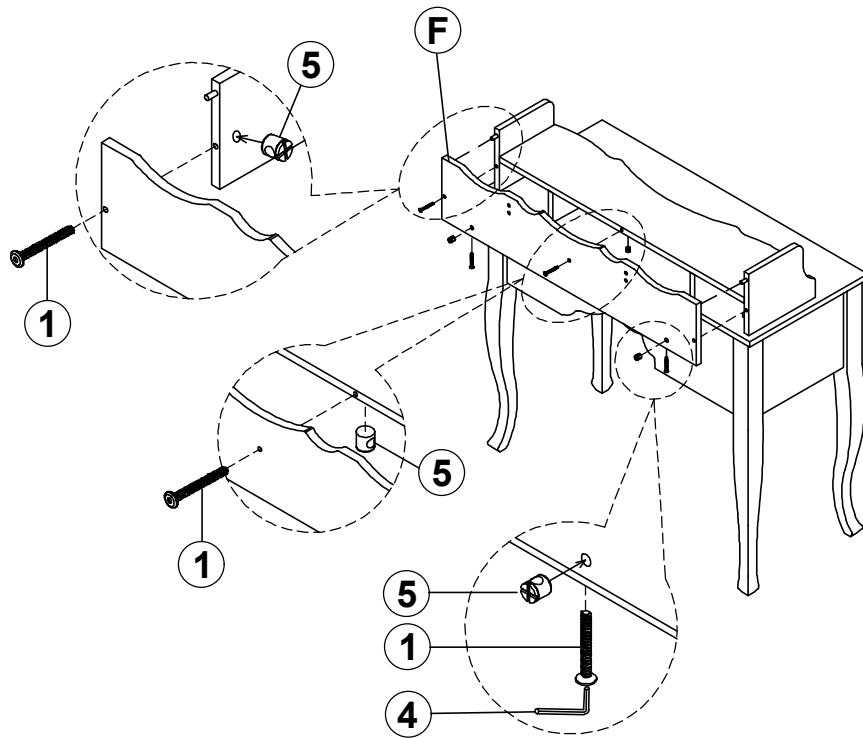


STEP 2

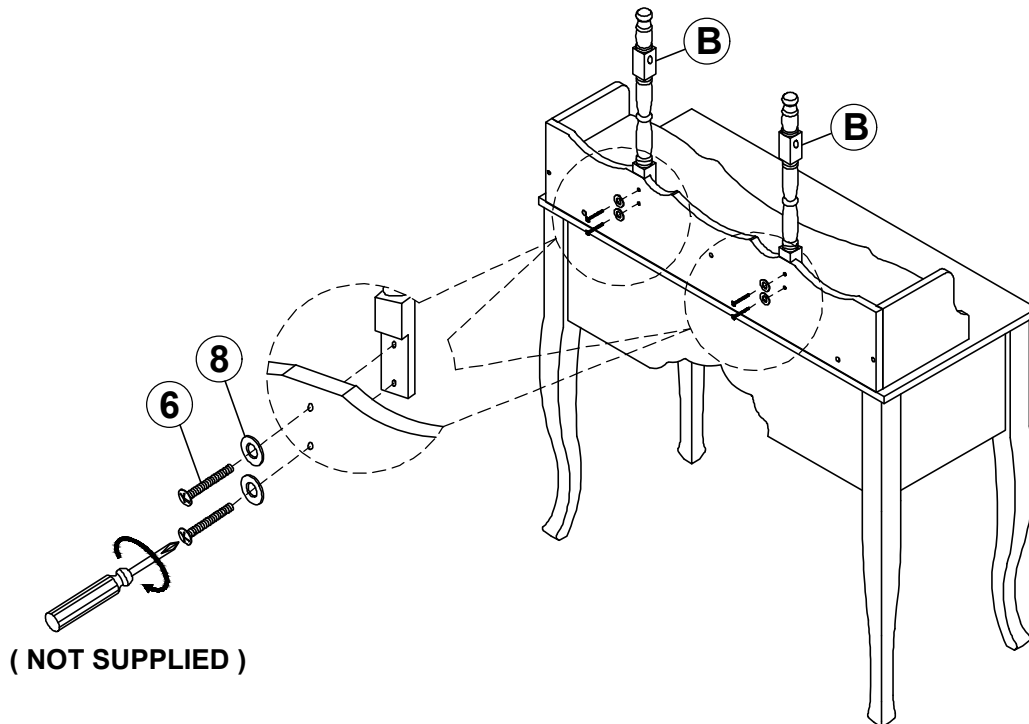


ITEM : 930137

ASSEMBLY INSTRUCTIONS
STEP 3

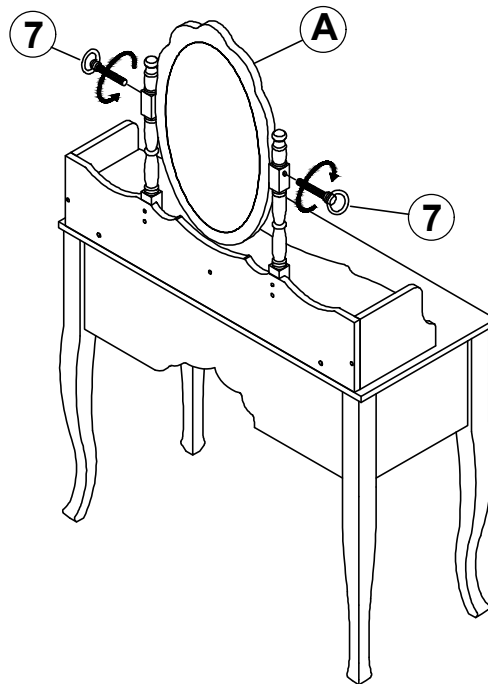


STEP 4

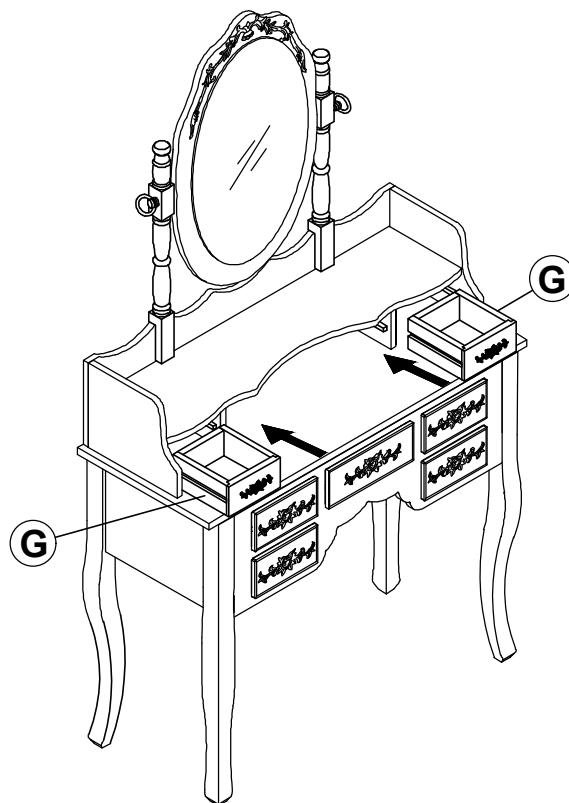


ITEM : 930137

ASSEMBLY INSTRUCTIONS
STEP 5



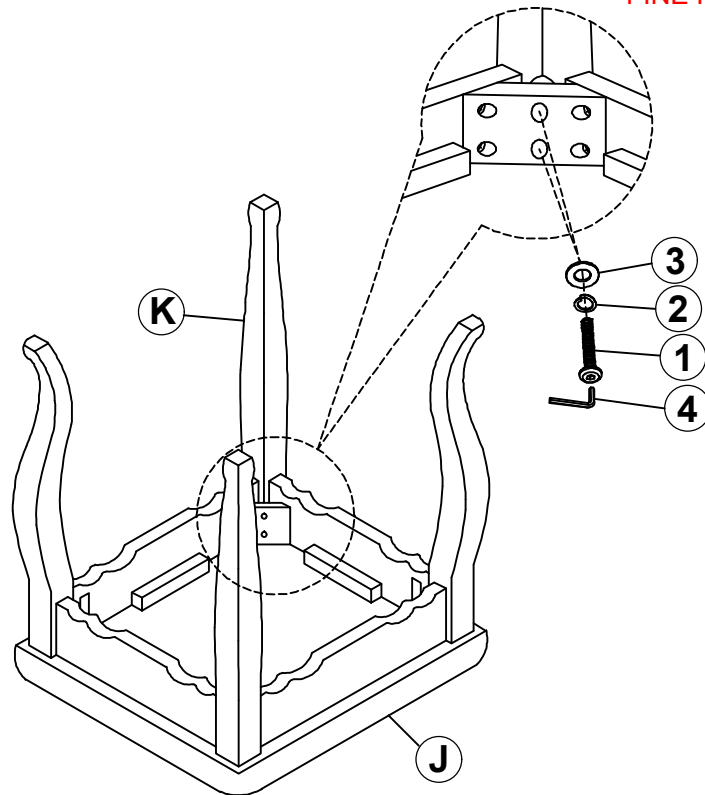
STEP 6



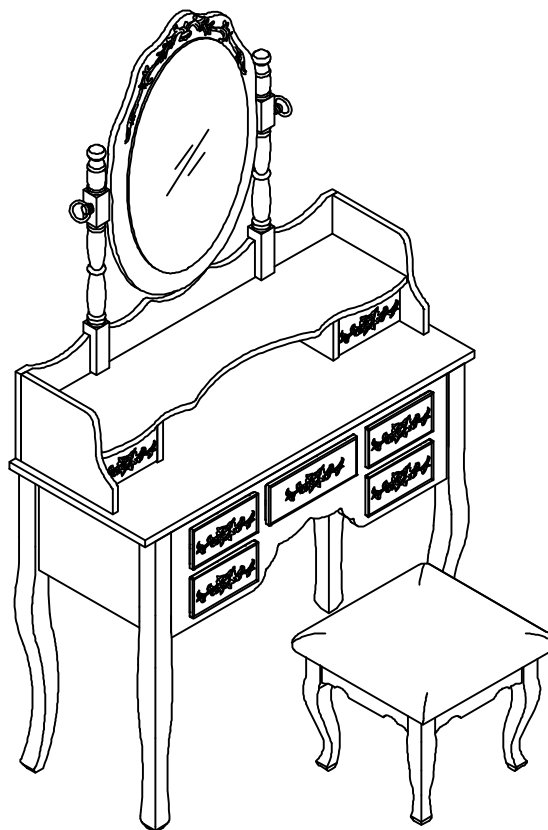
ITEM : 930137

ASSEMBLY INSTRUCTIONS
STEP 7

COASTER[®]
FINE FURNITURE



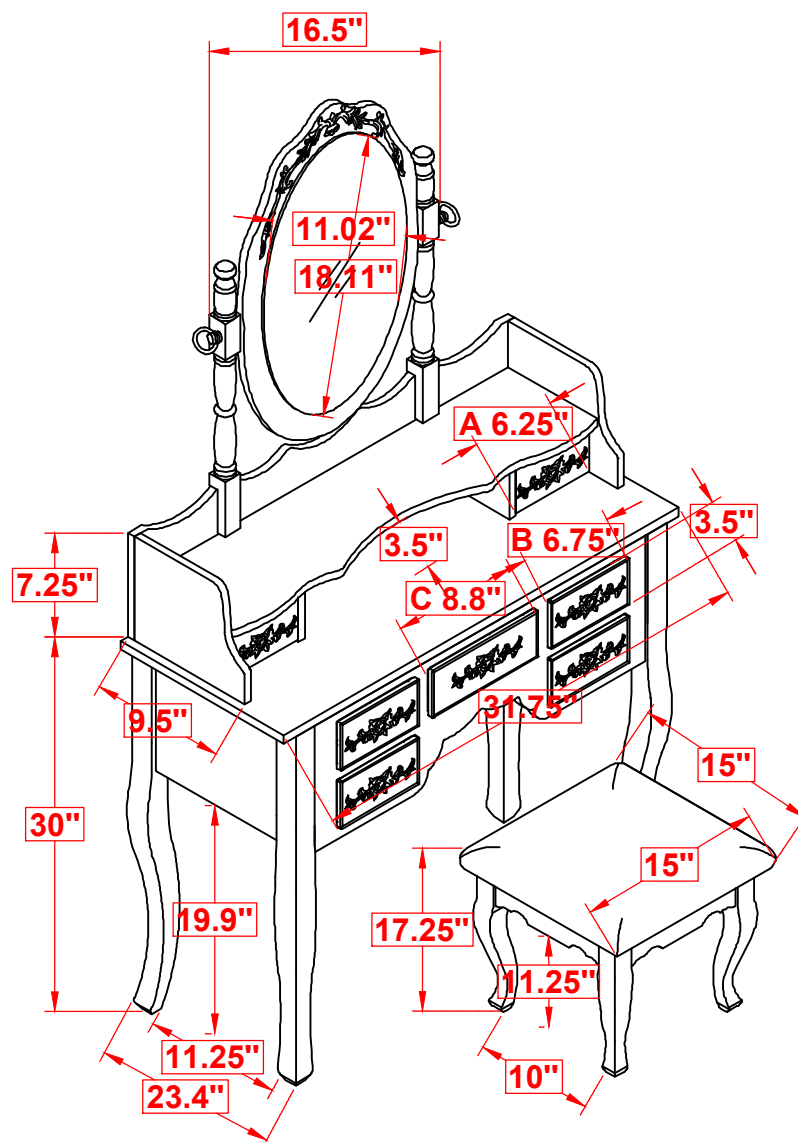
STEP 8
COMPLETE



ITEM : 930137



INNER SIZE OF DRAWER A 5.8" X 5.15" X 2.5"
INNER SIZE OF DRAWER B 9.4" X 5" X 2.3"
INNER SIZE OF DRAWER C 9.4" X 7.2" X 2.15"
INNER SIZE OF DRAWER D 9.4" X 5" X 1.80"



NOTE: Dimension tolerance $\pm 5\%$