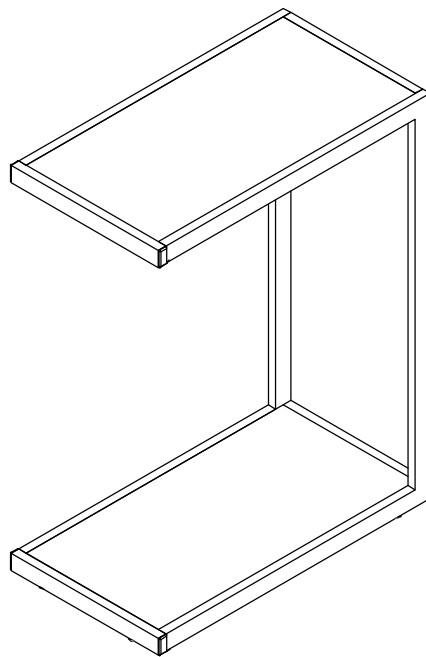


ASSEMBLY INSTRUCTIONS
COASTER FINE FURNITURE



Fine Furniture for every stage of life

901007
SNACK TABLE

REVISION 0 : 03/15/2018
REVISION 1 : 08/27/2020

ITEM:901007



ASSEMBLY INSTRUCTIONS

ASSEMBLY TIPS:

1. Remove hardware from box and sort by size.
2. Please check to see that all hardware and parts are present prior to start of assembly.
3. Please follow attached instructions in the same sequence as numbered to assure fast & easy assembly.

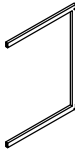
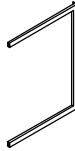
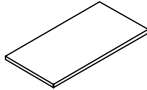
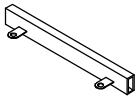
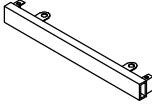
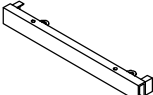


WARNING!

1. Don't attempt to repair or modify parts that are broken or defective. Please contact the store immediately.
2. This product is for home use only and not intended for commercial establishments.

ASSEMBLY TIME 25 MINUTES






PARTS IDENTIFICATION

A	LEFT SIDE		1PC
B	RIGHT SIDE		1PC
C	WOOD		2PCS
D	REAR CROSSBAR		2PCS
E	FRONT CROSSBAR		1PC
F	BOTTOM FRONT CROSSBAR		1PC

ITEM:901007 ASSEMBLY INSTRUCTIONS



HARDWARE IDENTIFICATION

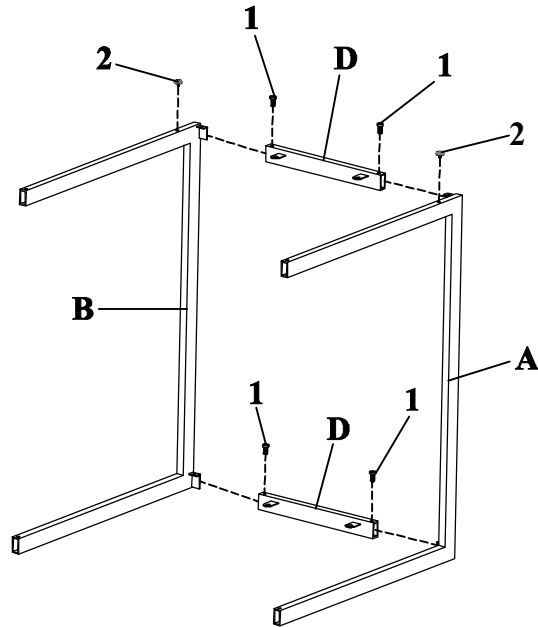
1	ALLEN BOLT (1/4" x 12mm SR)		8PCS
2	FLOOR LEVELER (1/4" x 13mm)		4PCS
3	CAP (13 x 26mm SR)		4PCS
4	ALLEN KEY (4mm)		1PC
5	SUCTION CUP (ϕ 19 x 9mm)		8PCS

ITEM:901007 ASSEMBLY INSTRUCTIONS

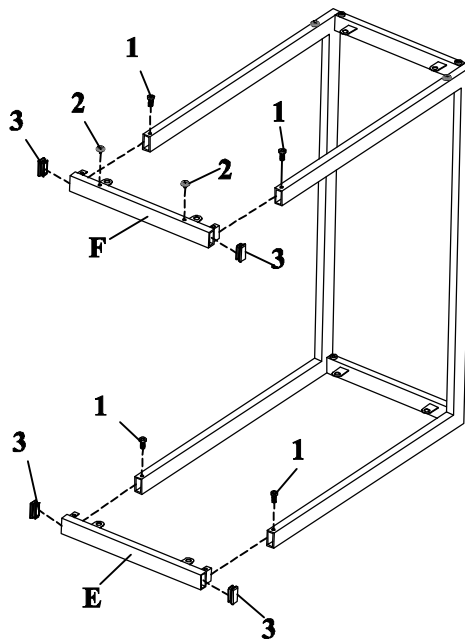


STEP 1

Do not tighten until each step is completed or instructed.
Put bottom side up to assemble.



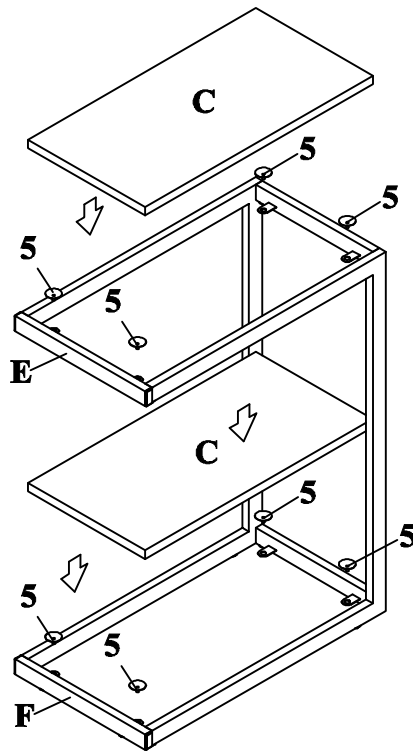
STEP 2



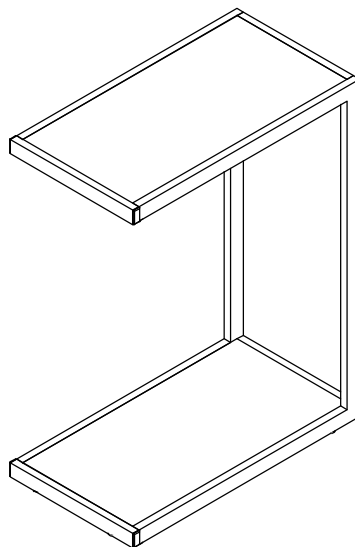
ITEM:901007
ASSEMBLY INSTRUCTIONS



STEP 3 Reverse top side up.



STEP 4
COMPLETE

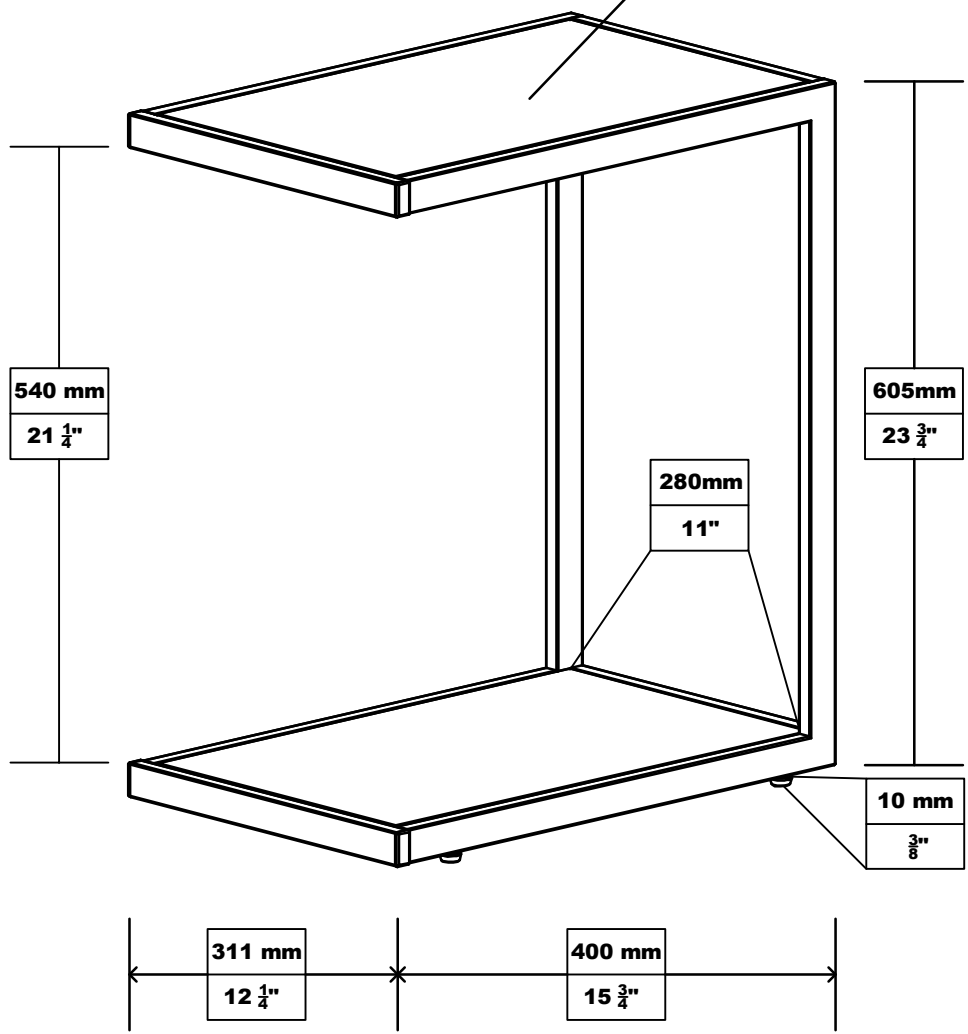


ITEM:901007 ASSEMBLY INSTRUCTIONS



Product Size : 311 X 400 X 605 H (MM)
Product Size : 12 1/4" X 15 3/4" X 23 3/4"

370 x 278 x 12 mm Wood
14 5/8" X 11" X 1/2"



Note : Dimension tolerance ±5%