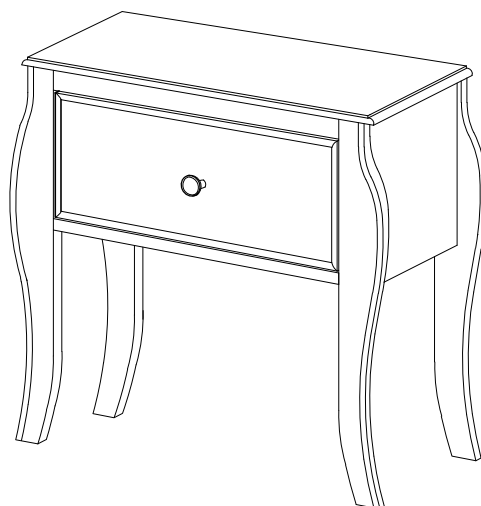


ASSEMBLY INSTRUCTIONS
COASTER FINE FURNITURE



Fine Furniture for every stage of life

400562
Nightstand

REVISION 0 : 10/31/2012
REVISION 1 : 02/01/2013
REVISION 2 : 03/06/2017
REVISION 3 : 10/30/2018
REVISION 4 : 01/07/2020
REVISION 5 : 08/05/2020

ITEM: **400562**



ASSEMBLY INSTRUCTIONS

ASSEMBLY TIPS:

1. Remove hardware from box and sort by size.
2. Please check to see that all hardware and parts are present prior to start of assembly.
3. Please follow attached instructions in the same sequence as numbered to assure fast & easy assembly.



WARNING!

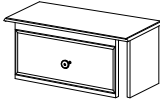




1. Don't attempt to repair or modify parts that are broken or defective. Please contact the store immediately.
2. This product is for home use only and not intended for commercial establishments.



ASSEMBLY TIME

20 MINUTES

PARTS IDENTIFICATION

A	NIGHTSTAND		1PC
B1	FRONT LEG (WITH "F/L" LABEL)		1PC
B2	FRONT LEG (WITH "F/R" LABEL)		1PC
C1	BACK LEG (WITH "B/L" LABEL)		1PC
C2	BACK LEG (WITH "B/R" LABEL)		1PC

HARDWARE IDENTIFICATION

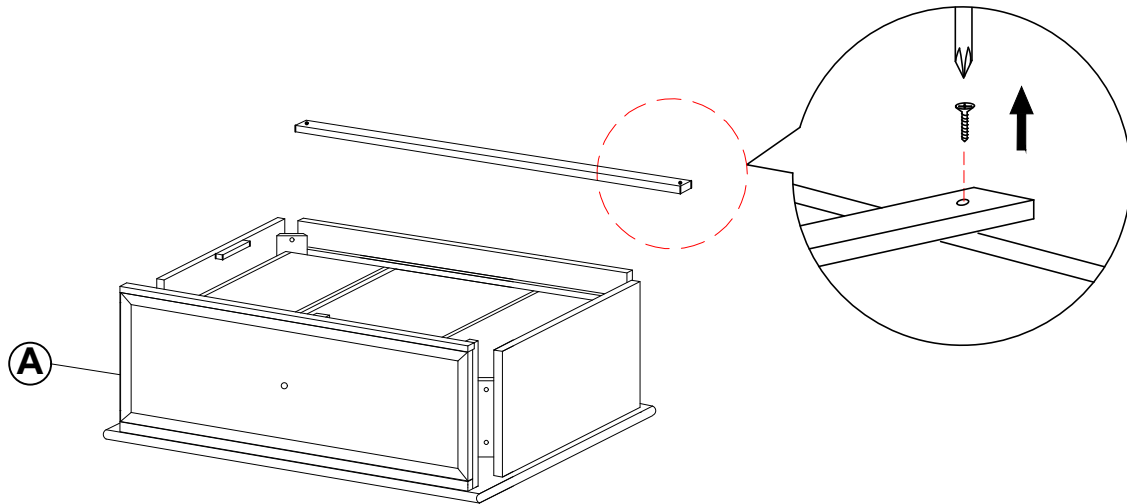
1	ALLEN WRENCH (M4 - BLK)		1PC
2	BOLT (M6 x 60mm - BLK)		8PCS

ITEM: **400562**

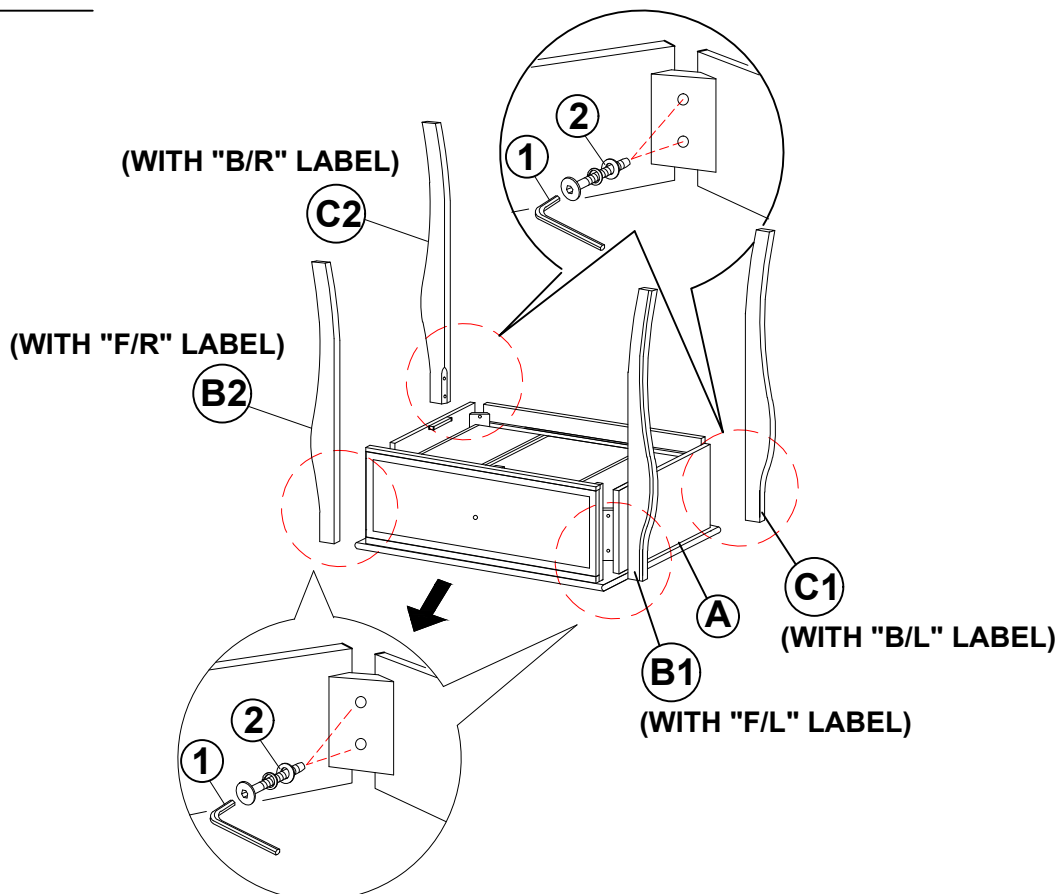


ASSEMBLY INSTRUCTIONS

STEP 1



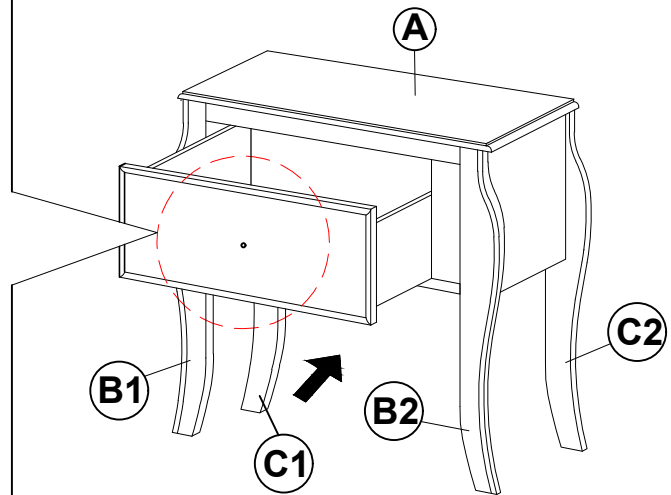
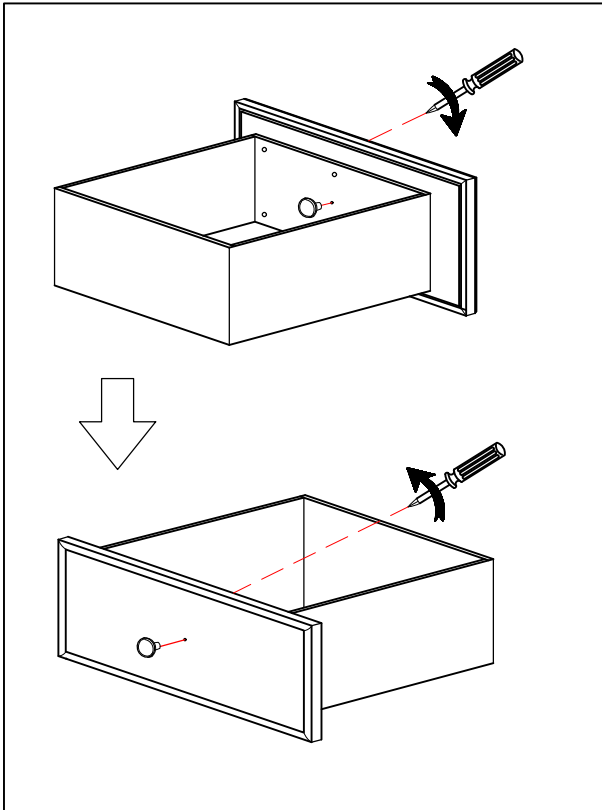
STEP 2



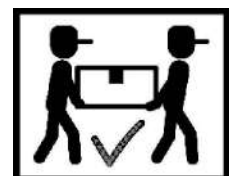
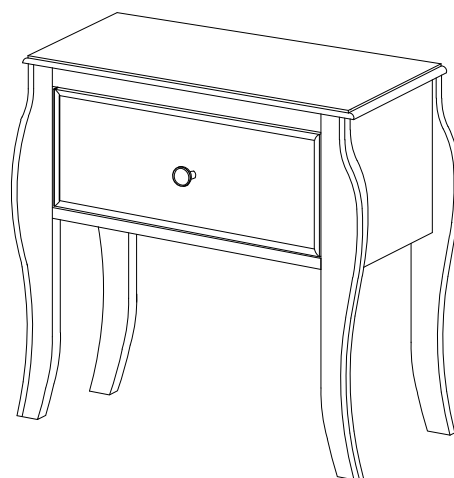
ITEM: **400562**



ASSEMBLY INSTRUCTIONS
STEP 3



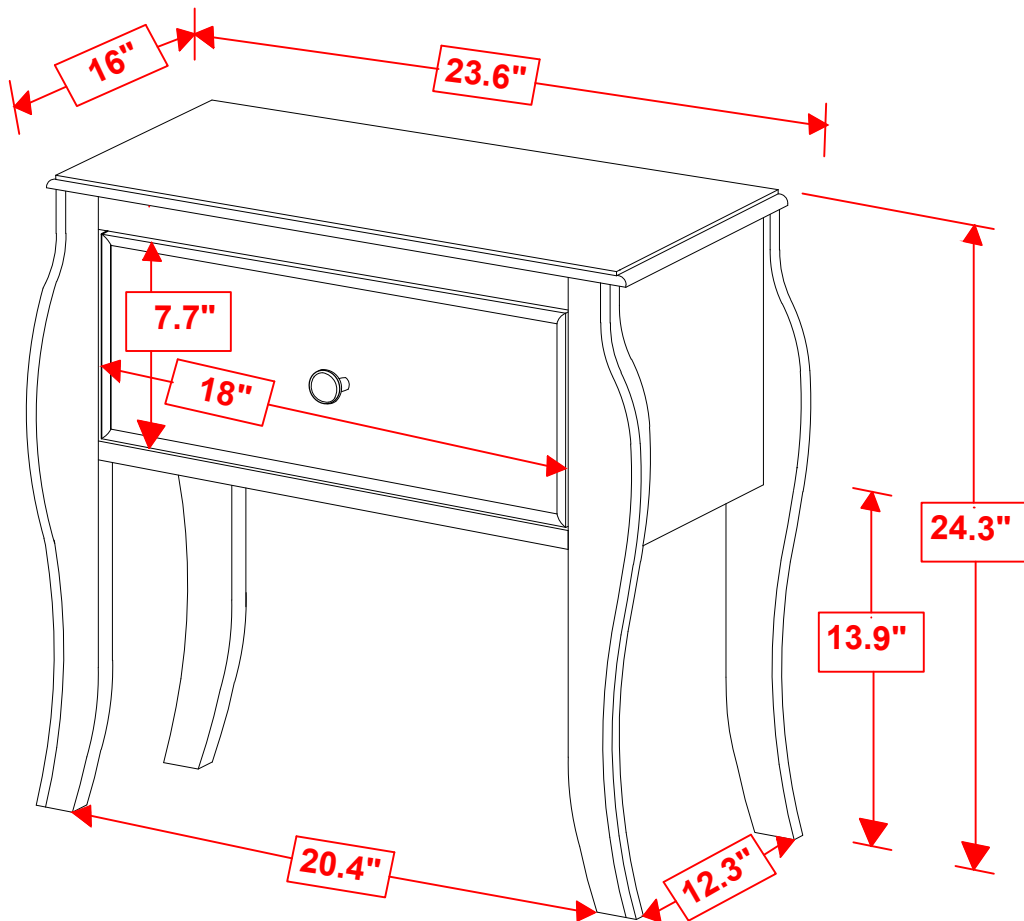
STEP 4
COMPLETE



ITEM: **400562**



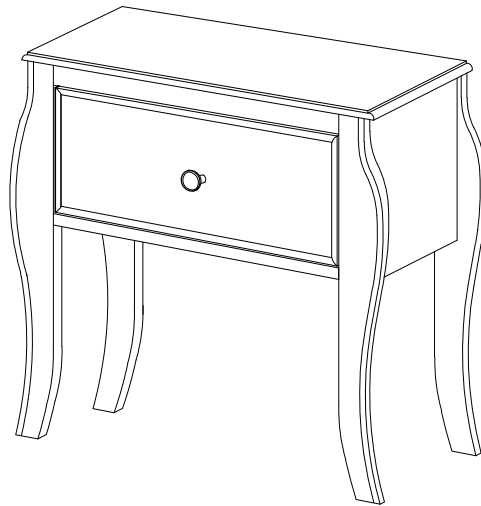
INNER SIZE OF DRAWER : 5.6" x 13.1" x 11.3"



NOTE : DIMENSION TOLERANCE ± 5%

COASTERFURNITURE.COM

ASSEMBLY INSTRUCTIONS
COASTER FINE FURNITURE



Fine Furniture for every stage of life

400562
Nightstand

REVISION 0 : 10/31/2012
REVISION 1 : 02/01/2013
REVISION 2 : 03/06/2017
REVISION 3 : 10/30/2018
REVISION 4 : 01/07/2020
REVISION 5 : 08/05/2020

ITEM: **400562**



ANTI-TIPPING INSTALLMENT INSTRUCTIONS

FURNITURE TIPPING RESTRAINT

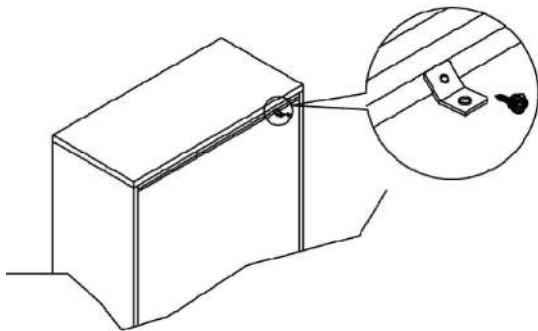
WARNING

Injury may result from tipping furniture.
This restraint may protect against tipping furniture.
Do not allow children to climb on furniture.
This restraint is not a substitute for proper adult supervision.
Failure to detach this restraint before moving the furniture may result in injury and damage.

This tip restraint must be attached to a wall stud using long screw enclosed.

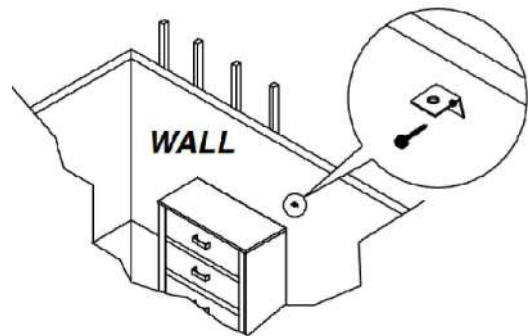
STEP 1

Attach a bracket securely to the back top rail of the furniture using short screw provided, through the smaller hole.



STEP 2

Locate the other bracket on the wall over a wall stud and two inches below the mounting bracket secured to the back of furniture. Attach the wall stud using the long screw provided, through the smaller hole.



STEP 3

Place the furniture into position so both mounting brackets are vertically in line. Lace the end of the restraint strap through the large hole in each mounting bracket. Bring both ends together and slide the flat end through the locking end and draw it through until all slack is removed. Confirm that the strap is securely laced and locked.

